



A TEREX BRAND

Parts Manual

Serial Number Range

S-40

from SN 831 to 7000

S-45

Part No. 52090

Rev E11

August 2010

Technical Publications

Genie Industries has endeavored to deliver the highest degree of accuracy possible. However, continuous improvement of our products is a Genie policy. Therefore, product specifications are subject to change without notice.

Readers are encouraged to notify Genie of errors and send in suggestions for improvement. All communications will be carefully considered for future printings of this and all other manuals.

Contact Us:

<http://www.genieindustries.com>
 e-mail: awp.techpub@terex.com

Serial Number Information


Genie Industries offers the following Parts Manuals for these models:

| Title | Part No |
|--|---------|
| Genie S-40 Parts Manual (to serial number 830) | 32223 |
| Genie S-40 and S-45 Parts Manual (from serial number 831 to 7000) | 52090 |
| Genie S-40 and S-45 Parts Manual (from serial number 7001) | 89721 |

Copyright © 1994 by Genie Industries

52090 Rev E November 2009
 Second Edition: Fifth Printing

"Genie" and "S" are registered trademarks of Genie Industries in the USA and many other countries.

 Printed on recycled paper



A TEREX COMPANY

Model: S-40
Serial number: S4008-12345
Model year: 2008 **Manufacture date:** 01/05/08
Electrical schematic number: ES0274
Machine unladen weight:

Rated work load (including occupants): 500 lb / 227 kg
Maximum number of platform occupants: 2
Maximum allowable side force : 150 lb / 670 N
Maximum allowable inclination of the chassis:
0 deg
Maximum wind speed : 28 mph/ 12.5 m/s
Maximum platform height : 60 ft 6 in/ 18.3 m
Maximum platform reach : 34 ft 3 in/ 10.4 m
Gradeability: N/A
Country of manufacture: USA
This machine complies with:
ANSI A92.5
CAN B.354.4

Genie Industries
18340 NE 76th Street
Redmond, WA 98052
USA



10000000000000

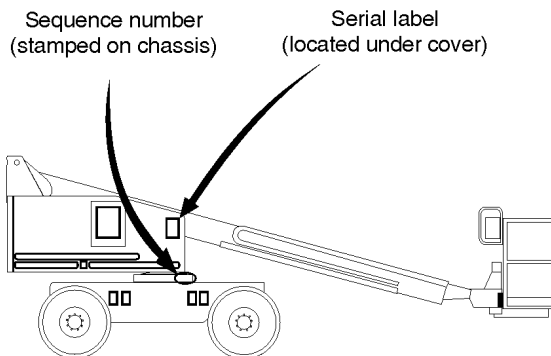
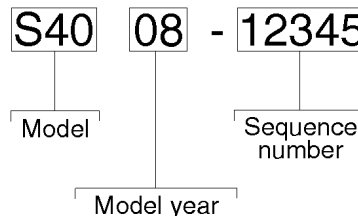
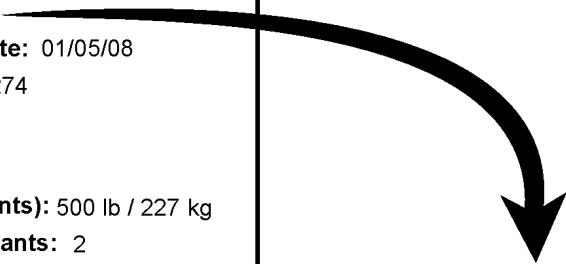


Table of Contents

This manual is updated frequently. If you have a printed manual, you can keep it up to date by downloading new figures from the Genie website at www.genieindustries.com. For the most up-to-date parts information, visit the Parts Lookup System on the Genie website at www.genieindustries.com.

| | |
|-------------------------------------|---|
| How to Read Your Serial Number..... | 3 |
| Parts Stocking List..... | 7 |
| How to Order Parts..... | 8 |
| Service Parts Fax Order Form..... | 9 |

Electronic Version

Click on any page number to view the figure.

100 Decals

| | |
|----------------------------|----|
| 101.1 Decals - View 1..... | 10 |
| 102.1 Decals - View 2..... | 12 |

200 2WD Drive Chassis Components

| | |
|---|----|
| 201.1 2WD Steer Axle Linkage - Oscillating Models..... | 14 |
| 202.1 2WD Steer Axle Linkage - Non-oscillating Models..... | 16 |
| 203.1 2WD Steer Axle - Wheels and Hubs..... | 18 |
| 204.1 2WD Drive Manifold..... | 20 |
| 205.1 2WD Non-steer Axle..... | 22 |
| 206.1 2WD Oscillation Manifold and Control Valve..... | 26 |
| 207.1 2WD Hydraulic Hoses and Fittings - Drive and Steer Systems..... | 28 |
| 208.1 2WD Hydraulic Hoses and Fittings - Oscillation System..... | 30 |

300 4WD Drive Chassis Components

| | |
|---|----|
| 301.1 4WD Steer Axle Linkage..... | 32 |
| 302.1 4WD Steer Axle - Wheels and Hubs..... | 34 |
| 303.1 4WD Drive Manifold..... | 36 |
| 304.1 4WD Non-steer Axle..... | 38 |
| 305.1 4WD Oscillation Manifold and Control Valve..... | 42 |
| 306.1 4WD Hydraulic Hoses and Fittings - Drive and Steer Systems..... | 44 |
| 307.1 4WD Hydraulic Hoses and Fittings - Oscillation System..... | 48 |

400 Engine Components

| | |
|---|----|
| 401.1 Ford LRG-425 EFI Engine - View 1..... | 50 |
| 402.1 Ford LRG-425 EFI Engine - View 2..... | 54 |
| 403.1 Ford LRG-425 EFI Engine - View 3..... | 58 |
| 404.1 Deutz F3L 1011F Engine - View 1..... | 60 |
| 405.1 Deutz F3L 1011F Engine - View 2..... | 62 |
| 406.1 Deutz F3L 1011F Engine - View 3..... | 64 |
| 407.1 Perkins 704-30 Engine - View 1..... | 68 |
| 408.1 Perkins 704-30 Engine - View 2..... | 70 |
| 409.1 Perkins 704-30 Engine - View 3..... | 72 |
| 410.1 Perkins 704-30 Engine - View 4..... | 74 |

| | |
|---|----|
| 411.1 Perkins 704-30 Engine - View 5..... | 76 |
|---|----|

500 Turntable Components

| | |
|--|-----|
| 501.1 Hydraulic and Fuel Tanks - Gasoline/LPG..... | 78 |
| 502.1 Hydraulic and Fuel Tanks - Gasoline/LPG..... | 80 |
| 503.1 Hydraulic and Fuel Tanks - Diesel..... | 82 |
| 504.1 Hydraulic and Fuel Tanks - Diesel..... | 84 |
| 505.1 Function Manifold..... | 86 |
| 506.1 Function Manifold and Auxiliary Power Unit Installation..... | 90 |
| 507.1 Turntable Rotator and Hydraulic Rotary Coupler Installation..... | 94 |
| 508.1 Ground Controls - View 1..... | 98 |
| 509.1 Ground Controls - View 2..... | 100 |
| 510.1 Turntable Covers, View 1..... | 102 |
| 511.1 Turntable Covers, View 2..... | 104 |
| 512.1 Turntable Covers, View 3..... | 106 |
| 513.1 Hydraulic Hoses and Fittings..... | 108 |

600 Boom Components

| | |
|--|-----|
| 601.1 Boom Lift and Master Leveling Cylinder Installation..... | 114 |
| 602.1 Boom Assembly..... | 116 |
| 603.1 Boom Assembly..... | 118 |
| 604.1 Cable Track Installation..... | 120 |
| 605.1 Slave Cylinder and Platform Rotator, S-40 models..... | 122 |
| 606.1 Jib Boom and Platform Rotator, S-45 models..... | 126 |
| 607.1 Hydraulic Hoses and Fittings..... | 130 |
| 608.1 Hydraulic Hoses and Fittings..... | 132 |
| 609.1 Jib Detail..... | 134 |

700 Platform Components

| | |
|---|-----|
| 701.1 Platform Installation (to SN 2653)..... | 136 |
| 702.1 Platform Installation (from SN 2654)..... | 138 |
| 703.1 Platform Controls - View 1..... | 140 |
| 704.1 Platform Controls - View 1..... | 142 |
| 705.1 Platform Controls - View 2..... | 144 |
| 706.1 Joystick Controller - Drive/Steer Functions..... | 148 |
| 707.1 Joystick Controller - Boom Functions, Multi-axis..... | 150 |

800 Accessories

| | |
|---|-----|
| 801.1 Alarm and Beacon Package..... | 152 |
| 802.1 Platform Options..... | 154 |
| 803.1 Air Line to Platform..... | 156 |
| 804.1 Generator and Spare LPG Tank..... | 158 |
| 805.1 Hydraulic Hoses and Fittings - Generator Option..... | 160 |
| 806.1 Cold Start Package - Ford, Perkins & Deutz Engines..... | 162 |
| 807.1 Load Sensor Option..... | 164 |

Indices

| | |
|-----------------------------|-----|
| Part Number Index..... | 166 |
| Part Description Index..... | 171 |

Cross References

| | |
|-------------------------------|-----|
| Fittings Cross Reference..... | 180 |
|-------------------------------|-----|

This Page Intentionally Left Blank

Required Parts

The following parts are required to perform maintenance procedures as outlined in the *Genie S-40 and S-45 Service Manual*.

Perkins 704-30 Models

| Description | Part No. |
|-----------------------------------|----------|
| Air Filter Element | 62420 |
| Fuel Filter Element | 62421 |
| Fuel/water Separator Filter | 65853 |
| Engine Oil Filter | 62422 |
| V-Belt | 62423 |

Deutz F3L-1011F Models

| Description | Part No. |
|-----------------------------------|----------|
| Air Filter Element | 62420 |
| Fuel/water Separator Filter | 29560 |
| Engine Oil Filter | 49924 |
| V-Belt | 32698 |

Ford LRG-425 Models

| Description | Part No. |
|--------------------------------------|----------|
| Fuel Pre-Filter | 52179 |
| Fuel Pressure Regulator Filter | 58967 |
| Engine Oil Filter | 28656 |
| Air Filter Element | 62420 |
| Serpentine Belt | 52580 |
| PCV Valve | 33957 |
| Spark Plug | 28647 |

Recommended Parts

| Description | Part No. |
|--|----------|
| Genie Blue Paint, 1 Gallon | 32150 |
| Genie Blue Paint, 12 Ounce Aerosol | 1484 |
| Genie Gray Paint, 1 Gallon | 32151 |
| Genie Gray Paint, 12 Ounce Aerosol | 1268 |

Manuals

Genie Industries offers the following support documents for these models:

| Title | Part No. |
|--|----------|
| Genie S-40, S-45 Operator's Manual (to serial number 7189) | 43645 |
| Genie S-40 Service Manual (to serial number 3803) | 32222 |
| Genie S-40 Service Manual (from serial number 3804 to 4728) | 52271 |
| Genie S-40, S-45 Service Manual (from serial number 4728 to 7000) | 72136 |
| EMI Safety Manual | 27581 |
| Manual of Responsibilities ANSI A92.5 | 31779 |

How To Order Parts

Please be prepared with the following information when ordering replacement parts for your Genie product:

- Machine model number
- Machine serial number
- Genie part number
- Part description and quantity
- Purchase order number
- "Ship to" address
- Desired method of shipment
- Name and telephone number of the authorized Genie Distributor in your area

Use the Service Parts Fax Order Form on the next page and fax your order to our Parts Department.

If you don't know the name of your authorized distributor, or if your area is not currently serviced by an authorized distributor, please call Genie Industries.

Machine Information

Model

Serial Number

Date of Purchase

Authorized Genie Distributor

Phone Number

Genie North America

Telephone (425) 556-6551

Toll Free (877) 367-5606 in U.S.A. and Canada

Fax (425) 556-8659

Genie UK

Parts Telephone (44) (0) 1476 584352

Parts Fax (44) (0) 1476 584340

Genie Australia

Parts Telephone (617) 03375 1660

Parts Fax (617) 03375 1002

Genie France

Parts Telephone (33) (0) 237 26 09 99

Parts Fax (33) (0) 237 31 50 10

Genie Germany

Parts Telephone (49) (0) 4202 885223

Parts Fax (49) (0) 4202 885225

Genie Scandinavia

Parts Telephone (46) (31) 3409612

Parts Fax (46) (31) 3409613

Genie Iberica

Parts Telephone (34) (93) 5795042

Genie Brazil

Parts Telephone (55) (114) 1665755

Parts Fax (55) (114) 1665754

Genie Japan

Parts Telephone (81) (33) 4536082

Parts Fax (81) (33) 4536083

Genie China

Parts Telephone (86) (215) 3852570

Parts Fax (86) (215) 3852569



Service Parts Fax Order Form

Fax to: (425) 556-8659 or Toll Free: 888-274-6192
International: +1-425-556-8659

Please fill out completely

Date _____ Account Number _____
 Your Name _____ Your Fax Number _____
 _____ Your Phone Number _____
 Bill To _____ Ship To _____

 Purchase Order Number _____ Ship Via _____

Model(s) _____ Serial No.(s) _____

Optional Equipment _____

| Part Number | Description | Quantity | Price |
|-------------|-------------|----------|-------|
| | | | |
| | | | |
| | | | |
| | | | |
| | | | |
| | | | |
| | | | |
| | | | |
| | | | |
| | | | |
| | | | |
| | | | |
| | | | |
| | | | |
| | | | |
| | | | |
| | | | |
| | | | |
| | | | |
| | | | |

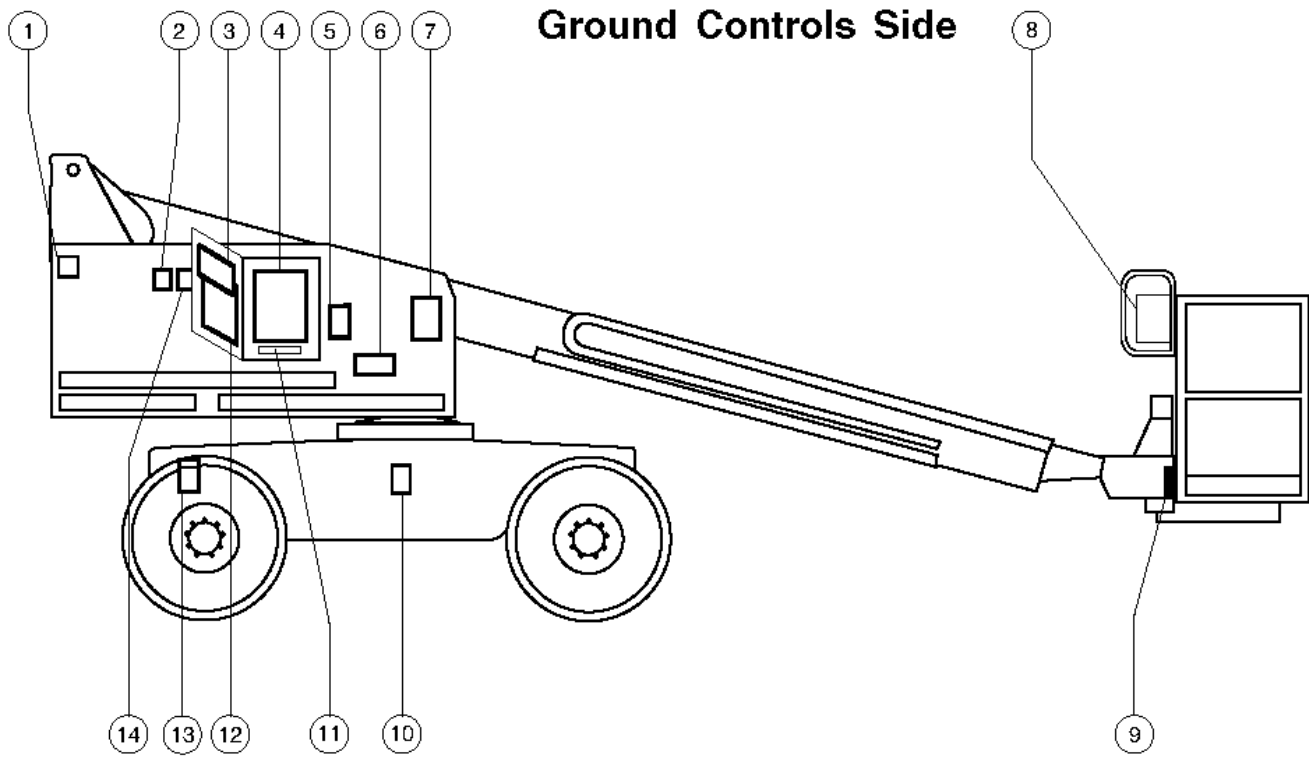
All back-ordered parts will be shipped when available via the same ship method as the original order unless noted below:

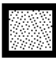
- Ship complete order only - No back orders
- Ship all available parts and contact customer on disposition of back-ordered parts
- Other (please specify)

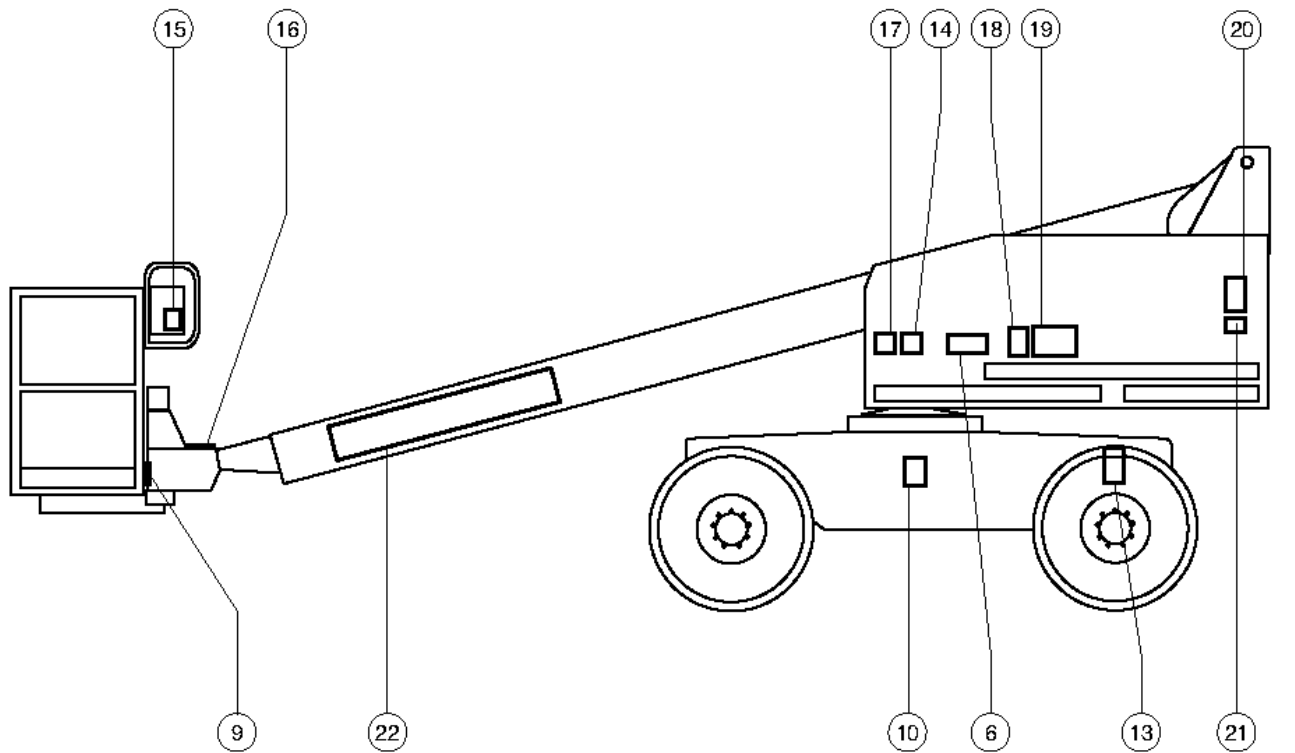
FOR GENIE INDUSTRIES USE ONLY

Order Number _____ Origin Code _____ Comments _____
 Date Scheduled _____ Ship Condition _____
 Order Total _____ Terms Code _____

101.1 Decals - View 1



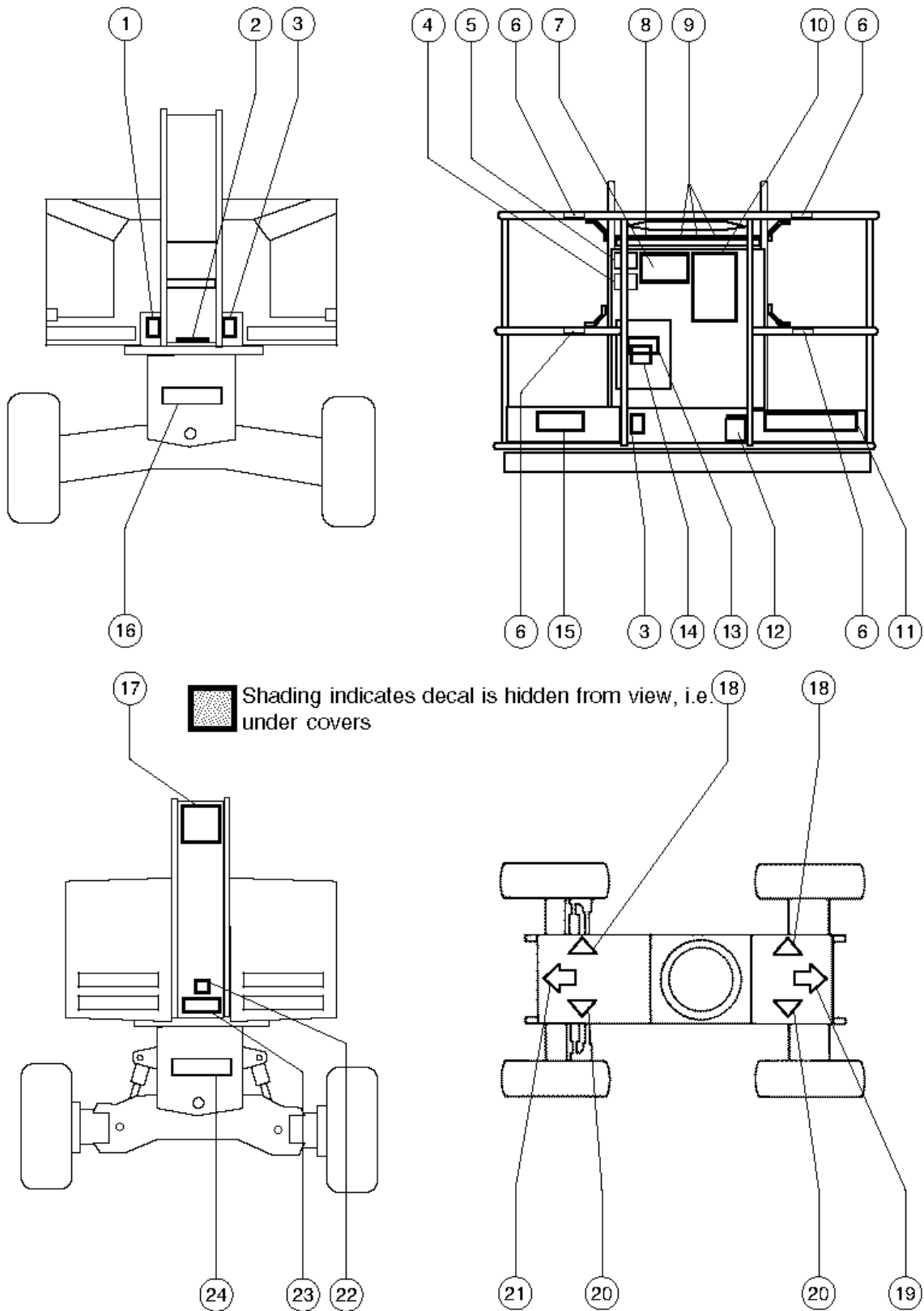
 Shading indicates decal is hidden from view, i.e. under covers



101.1 Decals - View 1

| Item | Part No. | Description | Qty. | Item | Part No. | Description | Qty. |
|------|----------|---|------|------|----------|---|------|
| -- | 46198 | DECAL KIT,INSTRUCT,S40 DIESEL <i>Diesel models; kit does not include, from this figure, index numbers 3, 4, 5, 7, and 15</i> | | 18 | 28164 | DECAL,NOTICE,HAZARDOUS MAT'LS*..... | 1 |
| 1 | 28157 | DECAL,USE DEXRON***..... | 1 | 19 | 28175 | DECAL,WARNING-COMPART ACCESS..... | 1 |
| -- | 82366 | DECAL,LABEL-CHEVRON RANDO..... <i>from SN 6457</i> | 1 | 20 | 49741 | DECAL,NOTICE,FORD EFI ENG SPEC..... | 1 |
| 2 | 28158 | DECAL,LABEL,UNLEADED GAS ONLY..... | 2 | -- | 53037 | DECAL,NOTICE,DEUTZ ENG SPEC..... | 1 |
| -- | 28159 | DECAL,LABEL,DIESEL FUEL..... | 2 | -- | 63461 | DECAL, ENGINE SPEC, PERKINS..... | 1 |
| 3 | 43647 | DECAL,NOTICE,OPER INST.IC***..... | 1 | 21 | 35599 | DECAL,NOTICE,AIR INLET***..... <i>Deutz Diesel models</i> | 1 |
| 4 | 72160 | DECAL,GND CONT PNL,S45/S60/80..... | 1 | 22 | 62072 | DECAL,COSMETIC,GENIE S-40..... | 1 |
| 5 | 25994 | DECAL,NOTICE,SHUTOFF VALVES..... | 1 | 22 | 62074 | DECAL,COSMETIC,GENIE S-45..... | 1 |
| 6 | 27564 | DECAL,DANGER,ELEC.HAZ.STAY CLR..... | 2 | -- | 52055 | DECAL KIT,INSTR,S40 GAS <i>Gasoline/LPG models; kit does not include, from this figure, index numbers 3, 4, 5, 7, and 15</i> | |
| 7 | 52639 | SERIAL NUMBER PLATE - S45..... | 1 | | | | |
| 7 | 77046 | SERIAL # LABEL,MYLAR 4X8***..... | 1 | | | | |
| 8 | 33503 | DECAL, GENIE LOGO 14" LONG.... | 1 | | | | |
| 9 | 28177 | DECAL,WARN,CRUSH HAZARD PLAT..... | 2 | | | | |
| 10 | 32719 | DECAL,NOTICE, TIRE PRESSURE..... | 4 | | | | |
| -- | 43595 | DECAL,DANGER,TIP-OVER,TIRES*** <i>Deluxe Hostile Environment models</i> | 4 | | | | |
| 11 | 43663 | DECAL,NOTICE, FUNCTION ENABLE*..... | 1 | | | | |
| 12 | 97890 | DECAL,DANGER,GEN SAFETY RULES..... | 1 | | | | |
| 13 | 28161 | DECAL,WARN,CRUSH HAZARD HAND..... | 2 | | | | |
| 14 | 28171 | DECAL,DANGER,NO SMOKING***..... | 2 | | | | |
| 15 | 28235 | DECAL,POWER TO PLATFORM 115V..... | 1 | | | | |
| -- | 28174 | DECAL,POWER TO PLATFORM 230V..... | 1 | | | | |
| 16 | 28181 | DECAL,WARN,NO STEP OR RIDE..... | 1 | | | | |
| 17 | 28160 | DECAL,LABEL,LIQUID PROPANE..... | 1 | | | | |

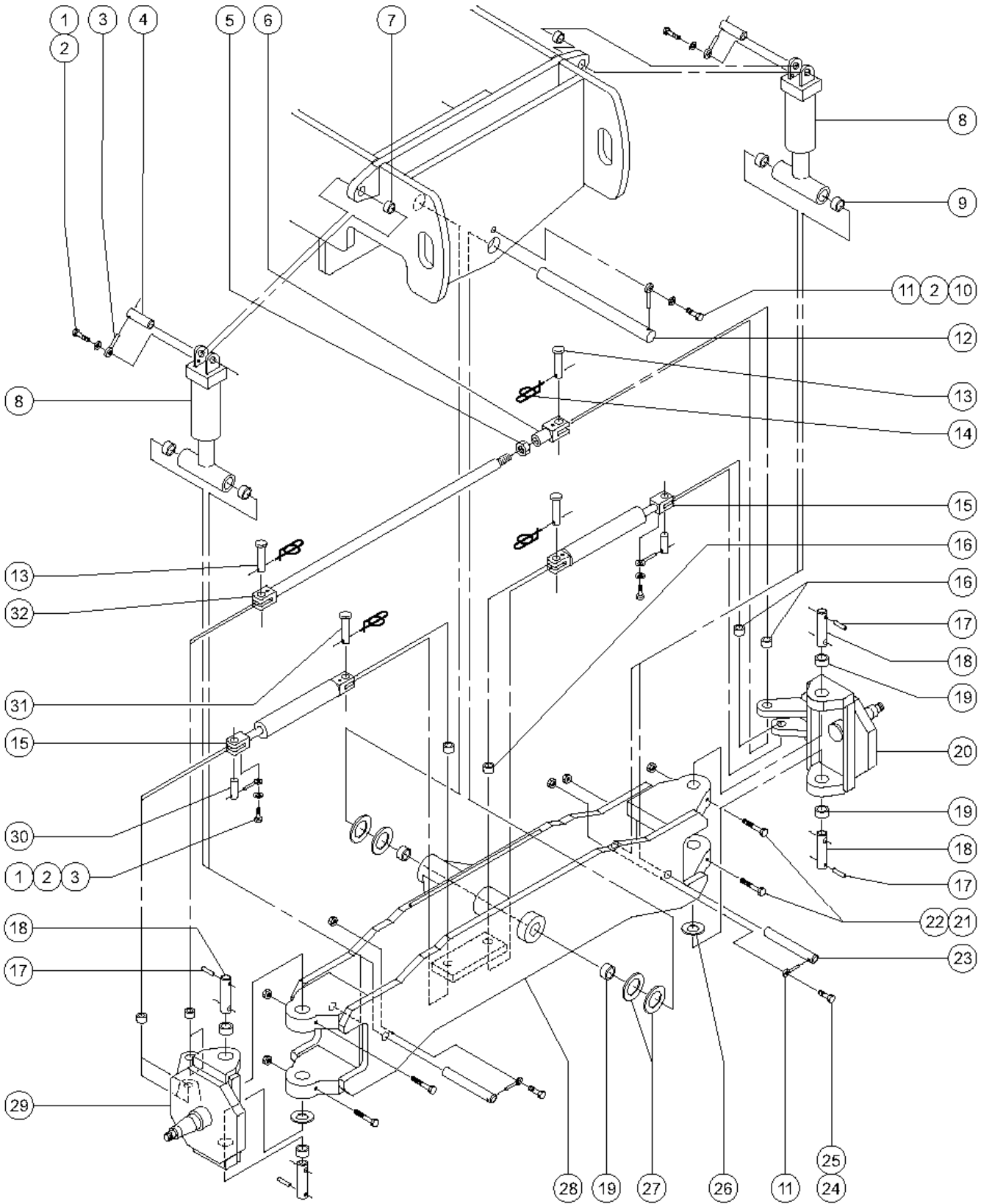
102.1 Decals - View 2



102.1 Decals - View 2

| Item | Part No. | Description | Qty. | Item | Part No. | Description | Qty. |
|------|----------|--|------|------|----------|--|------|
| -- | 46198 | DECAL KIT,INSTRUCT,S40 DIESEL <i>Diesel models; kit excludes, index numbers 1, 3, 4, 8, 9, and 15</i> | | -- | 44986 | DECAL,INSTR,SIDE FRC/WIND,AUS.....1 <i>CE Models</i> | 1 |
| 1 | 28235 | DECAL,POWER TO PLATFORM 115V.....1 | 1 | 16 | 62073 | DECAL,COSMETIC,S40.....1 | 1 |
| -- | 28174 | DECAL,POWER TO PLATFORM 230V.....1 | 1 | 16 | 62075 | DECAL,COSMETIC,S45.....1 | 1 |
| 2 | 28161 | DECAL,WARN,CRUSH HAZARD HAND.....1 | 1 | 17 | 62959 | DECAL,COSMETIC,S40,10".....1 | 1 |
| 3 | 44981 | DECAL,LABEL,AIRLINE 110 PSI.....2 | 2 | 17 | 62960 | DECAL,COSMETIC,S45,10".....1 | 1 |
| 4 | 43595 | DECAL,DANGER,TIP-OVER,TIRES*** <i>Deluxe Hostile Environment models</i> | 1 | 18 | 27207 | DECAL,TRIANGLE,YELLOW.....2 | 2 |
| 5 | 33952 | DECAL,DANGER,TILT ALARM***.....1 | 1 | 19 | 27205 | DECAL,ARROW YELLOW LRG 9".....1 | 1 |
| 6 | 40434 | DECAL,LANYARD ANCHORAGE POINT.....4 | 4 | 20 | 27206 | DECAL,TRIANGLE,BLUE.....2 | 2 |
| 7 | 43647 | DECAL,NOTICE,OPER INST.IC***.....1 | 1 | 21 | 27204 | DECAL,ARROW BLUE.....1 | 1 |
| 8 | 72164 | DECAL,PLATFORM CTRL PANEL,S40.....1 <i>from SN 4508</i> | 1 | 22 | 31060 | DECAL,DANGER DO NOT ALTER SWTC.....1 | 1 |
| -- | 52155 | DECAL,PLATFORM CTRL,S40/S45.....1 <i>to SN 4507</i> | 1 | 23 | 27564 | DECAL,DANGER,ELEC.HAZ.STAY CLR.....1 | 1 |
| -- | 52250 | DECAL,PROTCTR,CLEAR,PLATE,S40.1 | 1 | 24 | 52967 | DECAL,COSMETIC,4 X 4.....1 | 1 |
| -- | 82242 | DECAL,LABEL,FUEL SELECT PATCH.....1 | 1 | -- | 52966 | DECAL,COSMETIC,4 X 2.....1 | 1 |
| 9 | 32726 | DECAL,OPTION GLOW PLUGS***.....1 | 1 | -- | 52055 | DECAL KIT,INSTR,S40 GAS <i>Gasoline/LPG models; kit excludes, index numbers 1, 3, 4, 8, 9, and 15</i> | |
| -- | 133518 | DECAL,PATCH,GEN,ALC500.....1 | 1 | | | | |
| -- | 44769 | DECAL,LABEL,LFT/DRV SELECT.....1 | 1 | | | | |
| -- | 72867 | DECAL,LABEL,LIGHTS***.....1 | 1 | | | | |
| 10 | 97890 | DECAL,DANGER,GEN SAFETY RULES.....1 | 1 | | | | |
| 11 | 30080 | DECAL,NOTICE,MAX LOAD 500 LBS.....1 | 1 | | | | |
| 12 | 28165 | DECAL,INSTRUCT,FOOTSWITCH OPER.....1 | 1 | | | | |
| 13 | 28236 | DECAL,WARN,IMPROPER OPERATION.....1 | 1 | | | | |
| 14 | 28176 | DECAL,LABEL,MANUAL NOT HERE.....1 | 1 | | | | |
| 15 | 97887 | DECAL,INSTR,MAX SIDE FRC,ANSI.....1 <i>ANSI and CSA Models</i> | 1 | | | | |

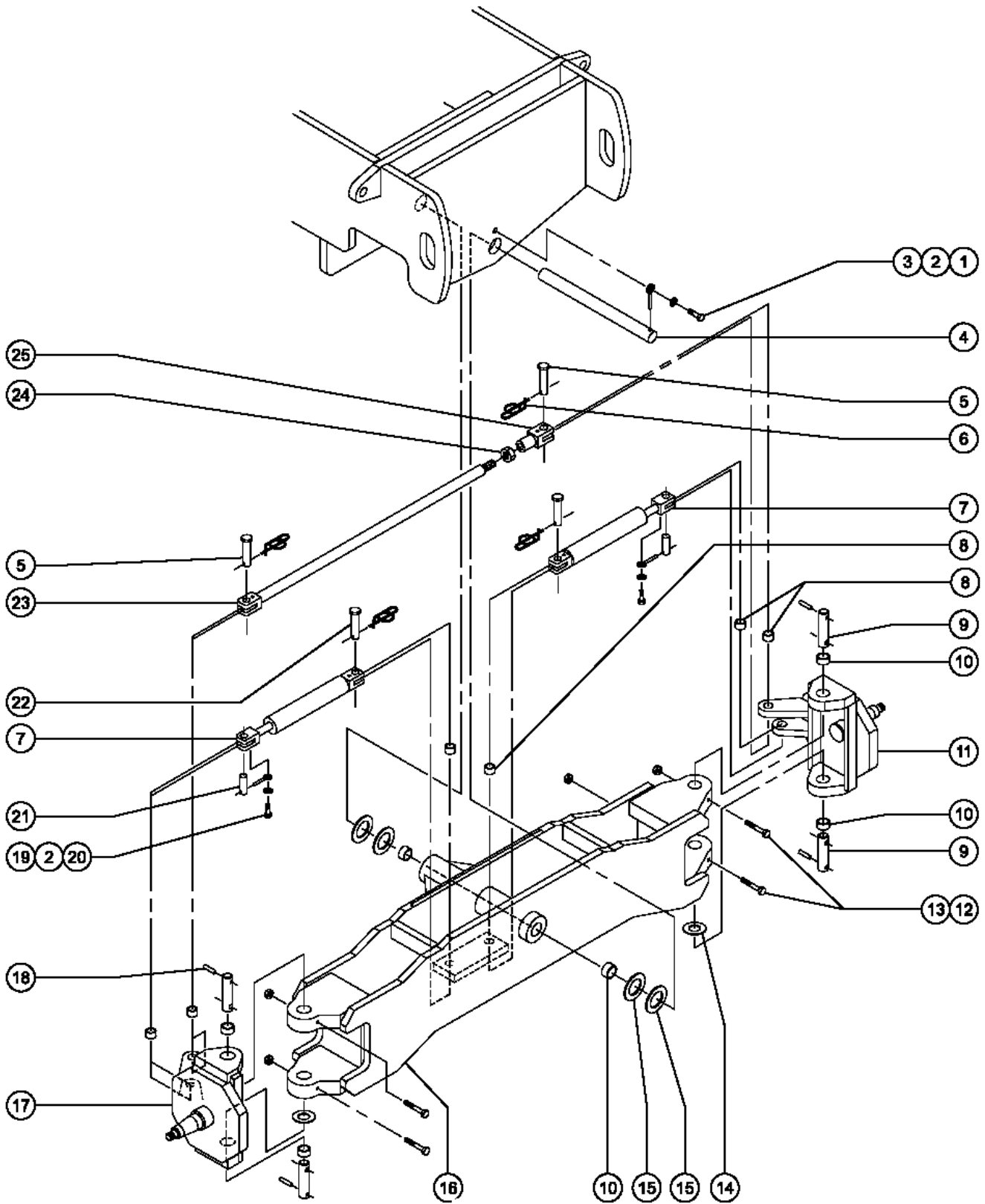
201.1 2WD Steer Axle Linkage - Oscillating Models



201.1 2WD Steer Axle Linkage - Oscillating Models

| Item | Part No. | Description | Qty. | Item | Part No. | Description | Qty. |
|------|----------|---|------|------|----------|--|------|
| 1 | 8255 | SCREW,HHC,3/8-16 X .75..... | 8 | 20 | 65515 | YOKE ASSEMBLY 2WD S40 LEFT..... | 1 |
| 2 | 6021 | WASHER,LOCK,.375..... | 9 | | | <i>includes 2 each index numbers 16 and 19</i> | |
| 3 | 25284 | ROD END,.375 X 2.25***..... | 8 | 21 | 8220 | SCREW,HHC,1/2-13 X 4..... | 4 |
| 4 | 30737 | PIN,1.25DIAX3.00LG,1HOLE..... | 2 | 22 | 6086 | NUT,LP NYLOCK,1/2-13..... | 4 |
| 5 | 28352 | NUT,HEX,JAM,1-8..... | 1 | 23 | 30190 | PIN,1.25DIAX7.25LG,1HOLE..... | 2 |
| 6 | 23154-S | WELDMENT,ROD END..... | 1 | 24 | 6708 | SCREW,HHC,3/8-16 X 2.25..... | 2 |
| 7 | 30370 | BEARING,1.25IDX1.5ODX1.00L.... | 2 | 25 | 4828 | NUT,NYLOCK,3/8-16..... | 2 |
| 8 | 89099 | OSCILLATE,CYLINDER S40/45..... | 2 | 26 | 45074 | WASHER,THRUST,1.5 X 3.5 X .187..... | 2 |
| -- | 31106 | VALVE,CNTERBAL,CBBB-LHN@3000**. | 2 | 27 | 36603 | WASHER,FLAT,1.56 X 3.5 X .061.... | 4 |
| -- | 59050 | SEAL KIT,2.5" BORE,1.5" ROD*** <i>for hydraulic cylinder number 59102</i> | | 28 | 102192-S | WELDMENT,FRT AXLE OSC,ASSY..... | 1 |
| -- | 89100 | SEAL KIT,OSC.CYL. | | | | <i>includes 2 each index numbers 16 and 19</i> | |
| 9 | 59266 | BEARING, POLYGON P2055 (59105)..... | 4 | 29 | 65516 | YOKE ASSEMBLY 2WD S40 RIGHT..... | 1 |
| 10 | 6175 | SCREW,HHC,3/8-16 X 1..... | 1 | | | <i>includes 2 each index numbers 16 and 19</i> | |
| 11 | 45226 | ROD END,.375 X 3.69..... | 3 | 30 | 30734 | PIN,1.00DIAX2.88LG,1HOLE..... | 2 |
| 12 | 30735 | PIN,1.50DIAX17.25LG,1HOLE..... | 1 | 31 | 53613 | PIN, 3.50" X 1.00"..... | 2 |
| 13 | 30734 | PIN,1.00DIAX2.88LG,1HOLE..... | 2 | | | <i>to SN 5453</i> | |
| -- | 19440 | PIN,CLEVIS,1 X 2.5 LG..... | 2 | -- | 32399 | PIN,CLEVIS,1 X 3 LG..... | 2 |
| | | <i>from SN 5454</i> | | | | <i>from SN 5454</i> | |
| 14 | 25284 | ROD END,.375 X 2.25***..... | 4 | 32 | 30747 | TIE ROD, WELDMENT..... | 1 |
| -- | 74389 | RUE RING 1.00..... | 4 | -- | 63155 | WELDMENT,TIE ROD..... | 1 |
| | | <i>from SN 5454</i> | | | | | |
| 15 | 89065 | CYLINDER,STEER***..... | 2 | | | | |
| -- | 32673 | SEAL KIT (CYL PN 30585) <i>for hydraulic cylinder number 30585</i> | | | | | |
| -- | 58116 | UPDATE KIT STEERING S40/45 <i>must use for first time replacement of hydraulic cylinder number 30585</i> | | | | | |
| -- | 59076 | SEAL KIT,2.0" BORE CYLINDERS** <i>for hydraulic cylinder number 59036</i> | | | | | |
| -- | 59169 | SEAL KIT,2" BORE,1" ROD*** <i>for hydraulic cylinder number 59297 and 59303</i> | | | | | |
| -- | 89066 | SEAL KIT,STEER CYL (89065) <i>for hydraulic cylinder number 89065</i> | | | | | |
| 16 | 25817 | BEARING,1.00IDX1.25ODX1.00L.... | 6 | | | | |
| 17 | 14815 | PIN,ROLL,SST,.25 X 2.25..... | 4 | | | | |
| 18 | 53081 | PIN,1.50DIAX4.76LG,2HOLE..... | 4 | | | | |
| 19 | 119619 | BEARING,1.5 ID X 1.75 ODX1.5L.... | 6 | | | | |

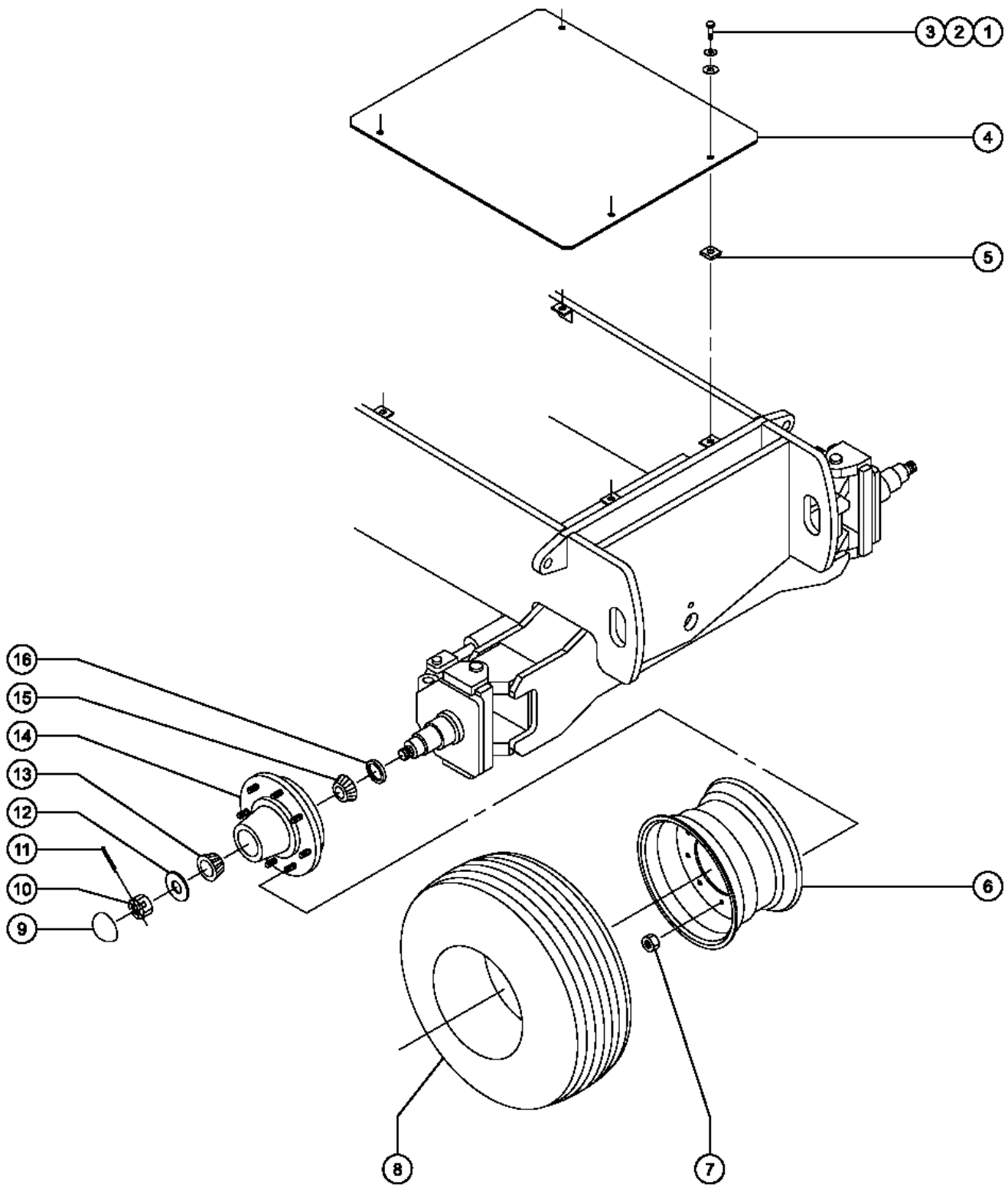
202.1 2WD Steer Axle Linkage - Non-oscillating Models



202.1 2WD Steer Axle Linkage - Non-oscillating Models

| Item | Part No. | Description | Qty. | Item | Part No. | Description | Qty. |
|------|----------|---|------|------|----------|--|------|
| 1 | 6175 | SCREW,HHC,3/8-16 X 1..... | 1 | 18 | 14815 | PIN,ROLL,SST,.25 X 2.25..... | 2 |
| 2 | 6021 | WASHER,LOCK,.375..... | 7 | 19 | 8255 | SCREW,HHC,3/8-16 X .75..... | 2 |
| 3 | 45226 | ROD END,.375 X 3.69..... | 1 | 20 | 25284 | ROD END,.375 X 2.25***..... | 2 |
| 4 | 30735 | PIN,1.50DIAX17.25LG,1HOLE..... | 1 | 21 | 30734 | PIN,1.00DIAX2.88LG,1HOLE..... | 2 |
| 5 | 30734 | PIN,1.00DIAX2.88LG,1HOLE..... to SN 5453 | 2 | 22 | 53613 | PIN, 3.50" X 1.00"..... to SN 5453 | 2 |
| -- | 19440 | PIN,CLEVIS,1 X 2.5 LG..... from SN 5454 | 2 | -- | 32399 | PIN,CLEVIS,1 X 3 LG..... from SN 5454 | 2 |
| 6 | 25284 | ROD END,.375 X 2.25***..... to SN 5453 | 4 | 23 | 30747 | TIE ROD, WELDMENT..... | 1 |
| -- | 74389 | RUE RING 1.00..... from SN 5454 | 4 | -- | 63155 | WELDMENT,TIE ROD..... | 1 |
| 7 | 89065 | CYLINDER,STEER***..... | 2 | 24 | 28352 | NUT,HEX,JAM,1-8..... | 1 |
| -- | 32673 | SEAL KIT (CYL PN 30585) for hydraulic cylinder number 30585 | | 25 | 23154-S | WELDMENT,ROD END..... | 1 |
| -- | 58116 | UPDATE KIT STEERING S40/45 must use for first time replacement of hydraulic cylinder number 30585 | | | | | |
| -- | 59076 | SEAL KIT,2.0" BORE CYLINDERS** for hydraulic cylinder number 59036 | | | | | |
| -- | 59169 | SEAL KIT,2" BORE,1" ROD*** for hydraulic cylinder number 59297 and 59303 | | | | | |
| -- | 89066 | SEAL KIT,STEER CYL (89065) for hydraulic cylinder number 89065 | | | | | |
| 8 | 25817 | BEARING,1.00IDX1.25ODX1.00L.... | 6 | | | | |
| 9 | 53081 | PIN,1.50DIAX4.76LG,2HOLE..... | 4 | | | | |
| 10 | 119619 | BEARING,1.5 ID X 1.75 ODX1.5L.... | 6 | | | | |
| 11 | 65515 | YOKE ASSEMBLY 2WD S40 LEFT..... includes 2 each index numbers 8 and 10 | 1 | | | | |
| 12 | 8220 | SCREW,HHC,1/2-13 X 4..... | 4 | | | | |
| 13 | 6086 | NUT,LP NYLOCK,1/2-13..... | 4 | | | | |
| 14 | 45074 | WASHER,THRUST,1.5 X 3.5 X .187..... | 2 | | | | |
| 15 | 36603 | WASHER,FLAT,1.56 X 3.5 X .061.... | 4 | | | | |
| 16 | 32652-S | Steer Axle Assembly - Non-oscillating..... includes 2 each index numbers 8 and 10 | 1 | | | | |
| 17 | 65516 | YOKE ASSEMBLY 2WD S40 RIGHT..... includes 2 each index numbers 8 and 10 | 1 | | | | |

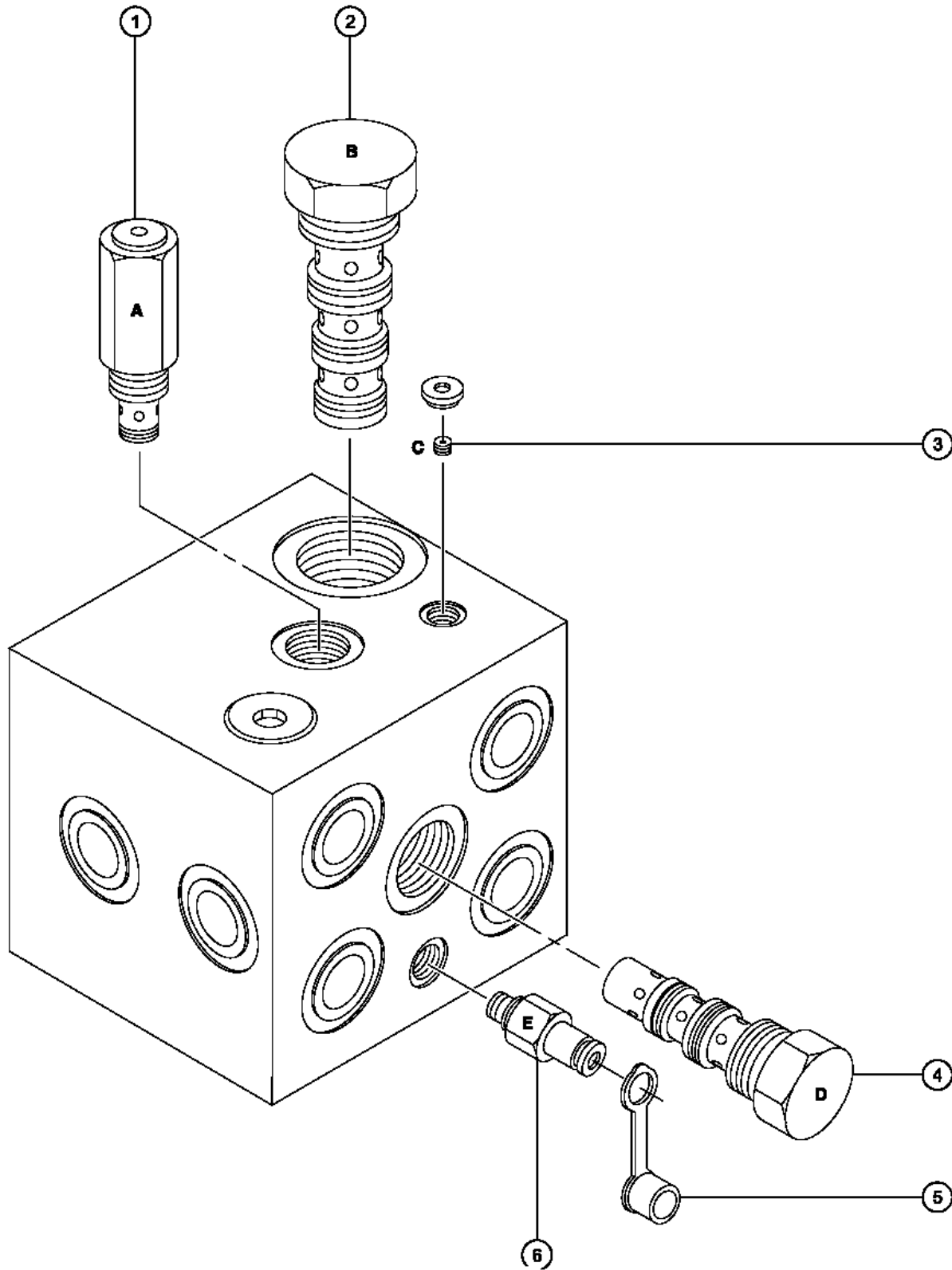
203.1 2WD Steer Axle - Wheels and Hubs



203.1 2WD Steer Axle - Wheels and Hubs

| Item | Part No. | Description | Qty. |
|------|----------|--|------|
| 1 | 6090 | SCREW,HHC,1/4-20 X .7..... | 4 |
| 2 | 6356 | WASHER,LOCK,.25..... | 4 |
| 3 | 6638 | WASHER,FLAT,USS,1/4"Y..... | 4 |
| 4 | 32676 | COVR W/DECLS,DR.CHAS.STR.END..... | 1 |
| -- | 102278 | CVR ASSY W/DECALS,DRV CHASS ST..... | 1 |
| | | <i>from SN 2873</i> | |
| 5 | 56912 | SPRING CLIP,1/4-20,MAGNI 565.... | 4 |
| 6 | 73199 | WHEEL, 16X10..... | 2 |
| -- | 73198 | TIRE & WHEEL ASSY (COMMENTS!)..... | 2 |
| | | <i>(8 HOLES)</i> | |
| -- | 73764 | TIRE & WHEEL ASSY. FOAM..... | 2 |
| 7 | 54627 | NUT,LUG,5/8-18 X 90 DEGREE,Z45..... | 16 |
| 8 | 33413 | TIRE,12.5L-16 SL,12 PLY..... | 2 |
| -- | 73200 | TIRE,IMPLEMENT,12.5-16SL,14PR.2 | |
| 9 | 45111 | CAP,DUST,45873 HUB KIT..... | 2 |
| 10 | 45113 | NUT,SPINDLE,1-14..... | 2 |
| 11 | 45114 | PIN,COTTER,.219 X 1.75..... | 2 |
| 12 | 45112 | WASHER,SPINDLE..... | 2 |
| 13 | 45108 | OUTER CONE - MODEL 60-8..... | 2 |
| 14 | 45043 | HUB ASSEMBLY MODEL#60-8..... | 2 |
| | | <i>includes index numbers 9, 13, 15, 16 and races</i> | |
| -- | 21166 | LUG BOLT,5/8-18,WHEEL HUB..... | 2 |
| -- | 40145 | BEARING RACE (LARGE) (45873)..... | 2 |
| -- | 40146 | BEARING RACE (SMALL) (45873)..... | 2 |
| 15 | 45107 | INNER CONE - MODEL 60-8..... | 2 |
| 16 | 45110 | SEAL-GREASE,MODEL 60-8..... | 2 |
| -- | 45873 | SEAL/BEARING KIT (45043,54840)..... | 2 |
| | | <i>includes index numbers 9 through 13, 15, 16 and races</i> | |

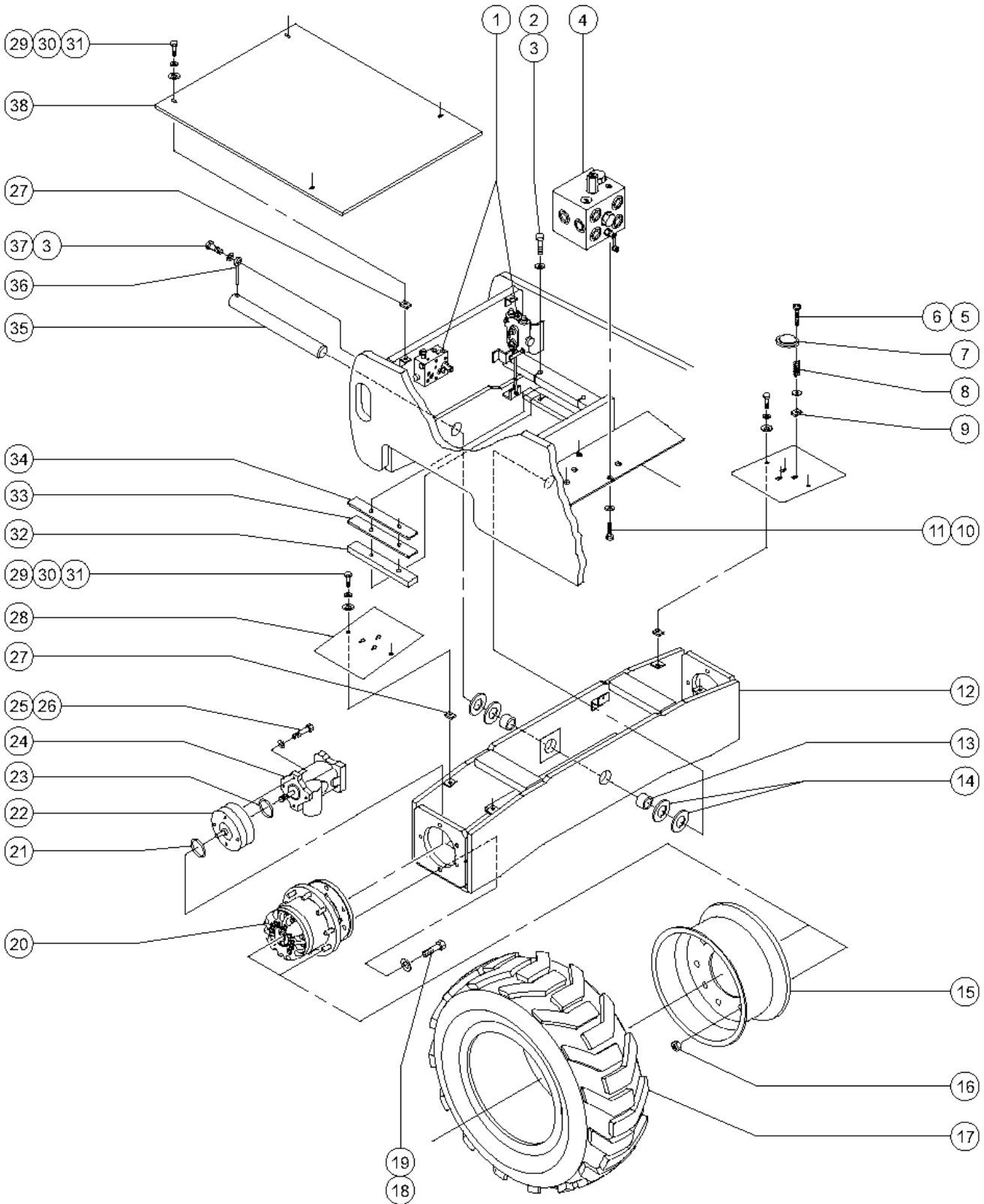
204.1 2WD Drive Manifold



204.1 2WD Drive Manifold

| Item | Part No. | Description | Qty. |
|------|----------|--|------|
| -- | 28750 | O-RING KIT,FIELD SVC,ALL PROD | |
| -- | 49612 | O-RING KIT (ORFS FITTINGS) | |
| -- | 49613 | PLUG AND CAP KIT-SERVICE,ORFS* | |
| A | | Relief Valve <i>Charge Pressure Circuit</i> | |
| B | | Flow Divider/Combiner <i>Controls Flow to Drive Motors in Forward and Reverse</i> | |
| C | | Orifice Plug <i>Drive Circuit</i> | |
| D | | Shuttle Valve, 3 position 3 way <i>Charge Pressure, Hot Oil Shuttle</i> | |
| E | | Diagnostic Fitting <i>Testing</i> | |
| 1 | 43597 | VALVE,RELIEF,210 PSI..... | 1 |
| 2 | 52726 | VALVE,FLOW DIVIDER/COMBINER..... | 1 |
| 3 | 33520 | PLUG,ORIFICE,0.070..... | 1 |
| 4 | 27761 | VALVE,SHUTTLE..... | 1 |
| 5 | 48880 | CAP,DIAGNOSTIC NIPPLE..... | 1 |
| 6 | 48997 | NIPPLE,DIAGNOSTIC,#4 PORT*** | 1 |
| -- | 20224 | DIAGNOSTIC FEMALE Q-DSCNT | 1 |
| -- | 33994 | PLUG AND CAP KIT-SERVICE,37°** | |
| -- | 34448 | TRACTION MANIFOLD,2WD*** <i>includes index numbers 1 through 4</i> | |

205.1 2WD Non-steer Axle



205.1 2WD Non-steer Axle

| Item | Part No. | Description | Qty. | Item | Part No. | Description | Qty. |
|------|----------|--|------|------|----------|---|------|
| 1 | | Ref. Oscillation Manifold and Control Valve (refer to Figure 2-F)..... | 1 | -- | 21145 | DISCONNECT ROD-45553 TQ.HUB..... | 2 |
| 2 | 6096 | SCREW,HHC,1/2-13 X 2 GR5..... | 4 | -- | 21146 | COVER CAP,TORQUE HUB*** | 2 |
| 3 | 6021 | WASHER,LOCK,.375..... | 5 | -- | 21148 | WASHER,THRUST,TORQUE HUB..... | 2 |
| 4 | 34448 | TRACTION MANIFOLD,2WD*** | 1 | -- | 21149 | LUG,WHEEL STUD,5/8-18,W1/4HB** | 2 |
| 5 | 73634 | SCREW,PHIL,PHM,10-24X1.5 ZINC..... | 3 | -- | 37097 | O-RING, TORQUE HUB..... | 2 |
| 6 | 6146 | WASHER,FLAT,MS,#10,Y..... | 3 | | | <i>included in Seal Kit part number 21142</i> | |
| 7 | 77026 | LEVEL,BUBBLE,2 DEGREE..... | 1 | -- | 58438 | KIT,COVER,TORQUE HUB,45553*** | |
| | | <i>European models</i> | | -- | 58448 | KIT,TORQUE HUB COVER (45553)** | 2 |
| 8 | 77027 | SPRING,1X.31 ODX.040WIRE,SS..... | 3 | -- | 58459 | THRUST CAP (20193) | |
| 9 | 73575 | SPRING CLIP,10-24,ZINC..... | 3 | 21 | 52087 | O-RING,2-044 BUNA..... | 2 |
| 10 | 8177 | SCREW,HHC,1/2-13 X 1.5..... | 2 | 22 | 41912 | BRAKE,MICO,1200 IN/LB*** | 2 |
| 11 | 6033 | WASHER,LOCK,0.5"..... | 2 | | | <i>includes 1 each of index number 21; to SN 5456</i> | |
| 12 | 32653 | NON-STEER AXLE ASSY,S40..... | 1 | -- | 41918 | LINING KIT,MICO BRAKE..... | 2 |
| | | <i>includes index number 13</i> | | -- | 41921 | SEAL KIT,BRAKE,MICO..... | 2 |
| 13 | 18396 | BEARING,1.5ID X 1.75OD X 1.0L.... | 2 | -- | 41922 | BEARING KIT,BRAKE,MICO..... | 2 |
| 14 | 36603 | WASHER,FLAT,1.56 X 3.5 X .061.... | 4 | -- | 72319 | SPRING (RED) MICO | |
| | | 1 | | | | <i>For 41912; 8 required per brake</i> | |
| 15 | 73196 | WHEEL, 16.5 X 9.75 S40..... | 2 | 22A | 41912 | BRAKE,MICO,1200 IN/LB*** | 2 |
| 16 | 54627 | NUT,LUG,5/8-18 X 90 DEGREE,Z45..... | 18 | | | <i>includes 1 each of index number 21; from SN 5457</i> | |
| 17 | 33412 | TIRE,12X16.5,8 PLY,SGL..... | 2 | -- | 65608 | BEARING KIT, AUSCO*** | 2 |
| -- | 81008 | TIRE/WHEEL ASSY,RH,12-16.5/8PR..... | 2 | -- | 77239 | LINING KIT,AUSCO BRAKE*** | 2 |
| -- | 81009 | TIRE/WHEEL ASSY,LH,12-16.5/8PR..... | 2 | -- | 77240 | SEAL KIT, AUSCO BRAKE*** | 2 |
| -- | 81489 | TIRE,12-16.5/8PR S40 HAULER..... | 2 | 23 | 22811 | O-RING,MOTOR TO BRAKE..... | 2 |
| -- | 81492 | TIRE & WHEEL ASSY,RH FOAM..... | 2 | 24 | 41398 | MOTOR,HYDRAULIC,AXIAL PORTS*** | 2 |
| -- | 81493 | TIRE & WHEEL ASSY,LH FOAM..... | 2 | | | <i>includes 1 each index number 23</i> | |
| 18 | 45495 | SCREW,SHC,5/8-11 X 3.00,A574..... | 12 | -- | 32680 | SEAL KIT,SUNSTRAND..... | 2 |
| | | <i>to SN 5369</i> | | 25 | 7261 | SCREW,HHC,1/2-13 X 5 BLACK.... | 8 |
| -- | 13004 | SCREW,HHC,5/8-11 X 3 GRD.8.... | 12 | -- | 73858 | SCREW,SHC,1/2-13X5.0 GR 5 ZINC..... | 8 |
| | | <i>from SN 5370</i> | | | | <i>from SN 5370</i> | |
| 19 | 56911 | WASHER,FLAT,.688X1.160X.09.... | 12 | 26 | 13066 | WASHER,FLAT,5 HARDENED..... | 8 |
| 20 | 20193 | TORQUE HUB,35:1*** | 2 | 27 | 56912 | SPRING CLIP,1/4-20,MAGNI 565.... | 8 |
| -- | 21142 | SEAL KIT (W1B) TORQUE HUBS.... | 2 | 28 | 30802P-S | COVER,NON-STEER AXLE "BLUE" | 2 |
| -- | 21143 | BEARING KIT (45553) TORQUE HUB..... | 2 | 29 | 6090 | SCREW,HHC,1/4-20 X .7..... | 8 |
| -- | 21144 | CAP,DISENGAGE-45553 TORQUE HUB..... | 2 | 30 | 6356 | WASHER,LOCK,.25..... | 8 |

205.1 2WD Non-steer Axle
(continued)

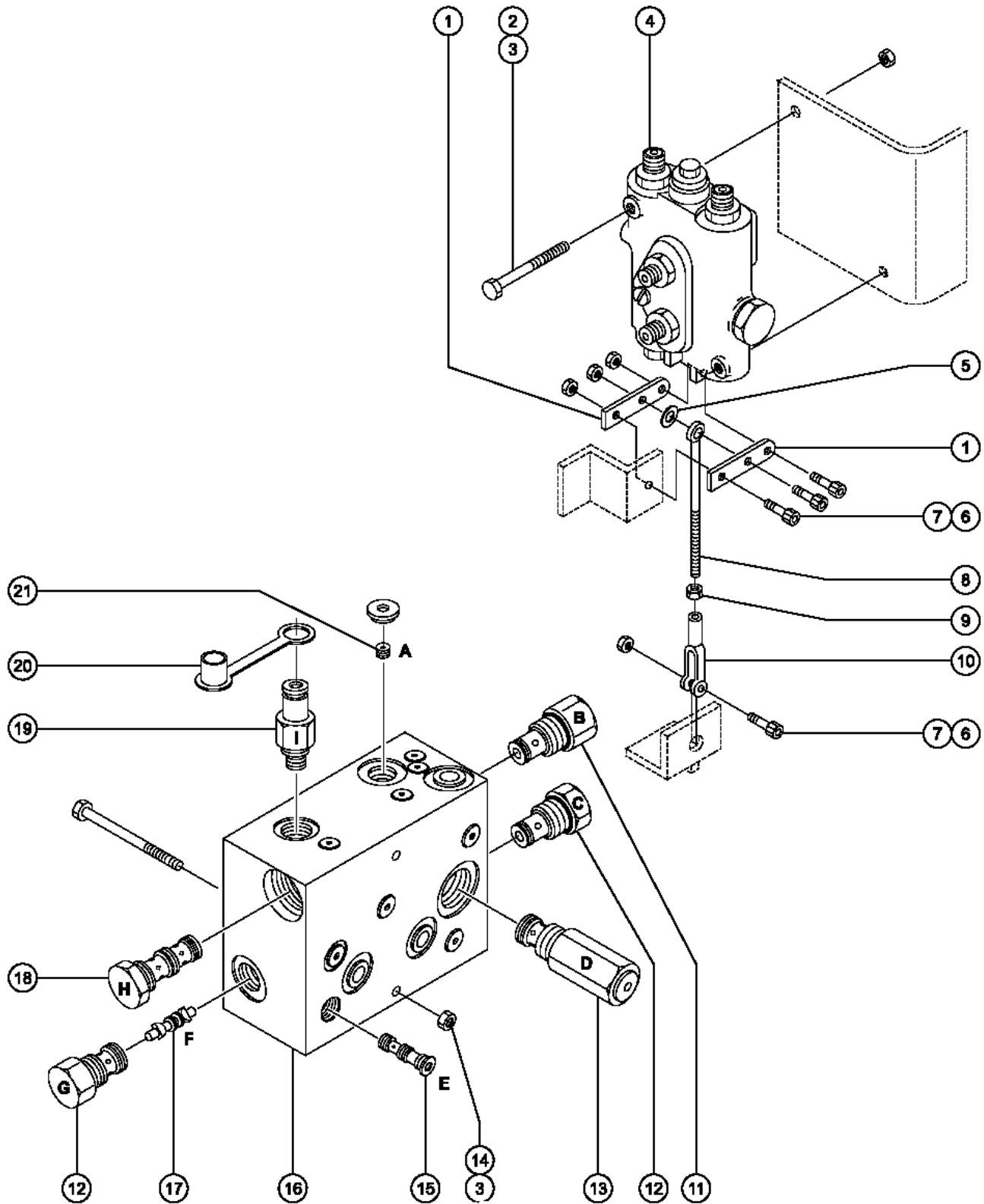
| Item | Part No. | Description | Qty. |
|------|----------|--|------|
| 31 | 6638 | WASHER,FLAT,USS,1/4"Y..... | 8 |
| 32 | 30690 | BAR,AXLE ROTATION STOP,OSC..... | 2 |
| | | <i>oscillating models</i> | |
| -- | 30691 | BAR,AXLE ROTATION STOP,NON-OSC..... | 2 |
| | | <i>non-oscillating models</i> | |
| 33 | 30808 | SHIM,AXLE ROTATION STOP..... | 2 |
| | | 1 | |
| 34 | 30809 | SHIM,AXLE ROTATION STOP,22 GA..... | 2 |
| | | 1 | |
| 35 | 30735 | PIN,1.50DIAX17.25LG,1HOLE..... | 1 |
| 36 | 45226 | ROD END,.375 X 3.69..... | 1 |
| 37 | 6175 | SCREW,HHC,3/8-16 X 1..... | 1 |
| 38 | 32682 | COVR W/DECL,DR.CHAS.NONSTEER..... | 1 |
| | | <i>to SN 2872</i> | |
| -- | 89803 | COVER, CHASSIS ASSY W/DECALS..... | 1 |
| | | <i>from SN 2873</i> | |

Footnotes

1: Quantity listed for this item is approximate.
Actual quantity may vary to ensure proper fit.

This Page Intentionally Left Blank

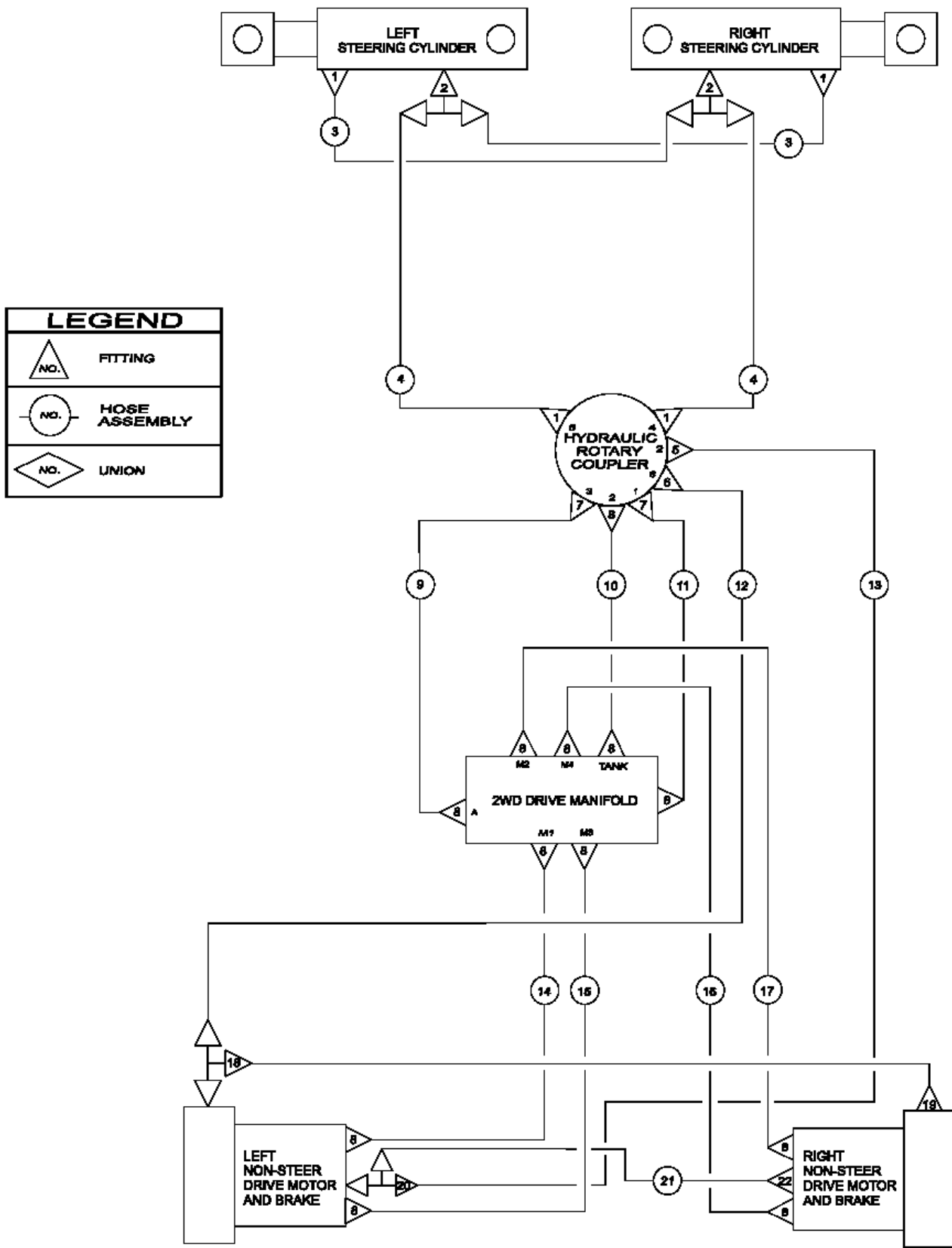
206.1 2WD Oscillation Manifold and Control Valve



206.1 2WD Oscillation Manifold and Control Valve

| Item | Part No. | Description | Qty. | Item | Part No. | Description | Qty. |
|------|----------------|---|------|------|----------|--|------|
| -- | 28750 | O-RING KIT,FIELD SVC,ALL PROD | | 16 | 30797 | MANIFOLD,OSCILLATION.....1 <i>includes index numbers 11 through 13, 15, 17, 18 and 21</i> | |
| -- | 49612 | O-RING KIT (ORFS FITTINGS) | | | | | |
| -- | 49613 | PLUG AND CAP KIT-SERVICE,ORFS* | | 17 | 32724 | PISTON (30797).....1 | |
| A | | Orifice Plug <i>Differential Sensing Circuit</i> | | 18 | 32723 | VALVE,SHUTTLE (30797).....1 | |
| B | | Differential Sensing Valve <i>Differential Sensing</i> | | 19 | 20224 | DIAGNOSTIC FEMALE Q-DSCNT.....1 | |
| C | | Check Valve <i>Oscillate, Left</i> | | 19 | 48997 | NIPPLE,DIAGNOSTIC,#4 PORT***.....1 | |
| D | | Valve, Unloader Pilot Operated <i>Sequencing</i> | | 20 | 48880 | CAP,DIAGNOSTIC NIPPLE.....1 | |
| E | | Shuttle Valve, 2 position 3 way <i>Pilot</i> | | 21 | 29737 | PLUG,ORIFICE,0.052 INCH.....1 | |
| F | | Piston <i>Check Valve Circuit</i> | | -- | 33994 | PLUG AND CAP KIT-SERVICE,37°** | |
| G | | Check Valve <i>Oscillate, Right</i> | | | | | |
| H | | Shuttle Valve, 2 position 3 way <i>Unloading</i> | | | | | |
| I | | Diagnostic Fitting <i>Testing</i> | | | | | |
| 1 | 30884 | OSCILLATE VALVE LINKAGE.....2 | | | | | |
| 2 | 4266 | SCREW,HHC,1/4-20 X 2.....2 | | | | | |
| 3 | 6091 | NUT,NYLOCK,1/4-20.....4 | | | | | |
| 4 | 30558 32681 | Valve - Manual, 3 position 4 way.....1 | | | | | |
| -- | 32681 | SEAL KIT,CONTROL VALVE.....1 | | | | | |
| 5 | 20980 | WASHER,NYLON,.410 X.257X.045.....1 | | | | | |
| 6 | 6584 | SCREW,SHS,10-24 X .625.....4 | | | | | |
| 7 | 5365 | NUT,NYLOCK,10-24.....4 | | | | | |
| 8 | 30885 | LINKAGE ROD.....1 | | | | | |
| 9 | 21496 | NUT,HEX,1/4-28.....1 | | | | | |
| 10 | 21130 | CLEVIS YOKE-1/4-28,PLTD W/PIN.....1 <i>includes clevis pin and cotter pin</i> | | | | | |
| 11 | 27532 | VALVE,DIFFERENTIAL SENSING.....1 | | | | | |
| 12 | 32725 | VALVE,CHECK (30797).....2 | | | | | |
| 13 | 37050 | VALVE,UNLOADER,P.O.....1 | | | | | |
| 14 | 11413 | SCREW,HHC,1/4-20 X 4.....2 | | | | | |
| 15 | 45483 | VALVE,SHUTTLE***.....1 | | | | | |
| 16 | 25375 | SEAL KIT (ALL MANIFOLDS).....1 | | | | | |

207.1 2WD Hydraulic Hoses and Fittings - Drive and Steer Systems



| LEGEND | |
|--------|---------------|
| | FITTING |
| | HOSE ASSEMBLY |
| | UNION |

207.1 2WD Hydraulic Hoses and Fittings - Drive and Steer Systems

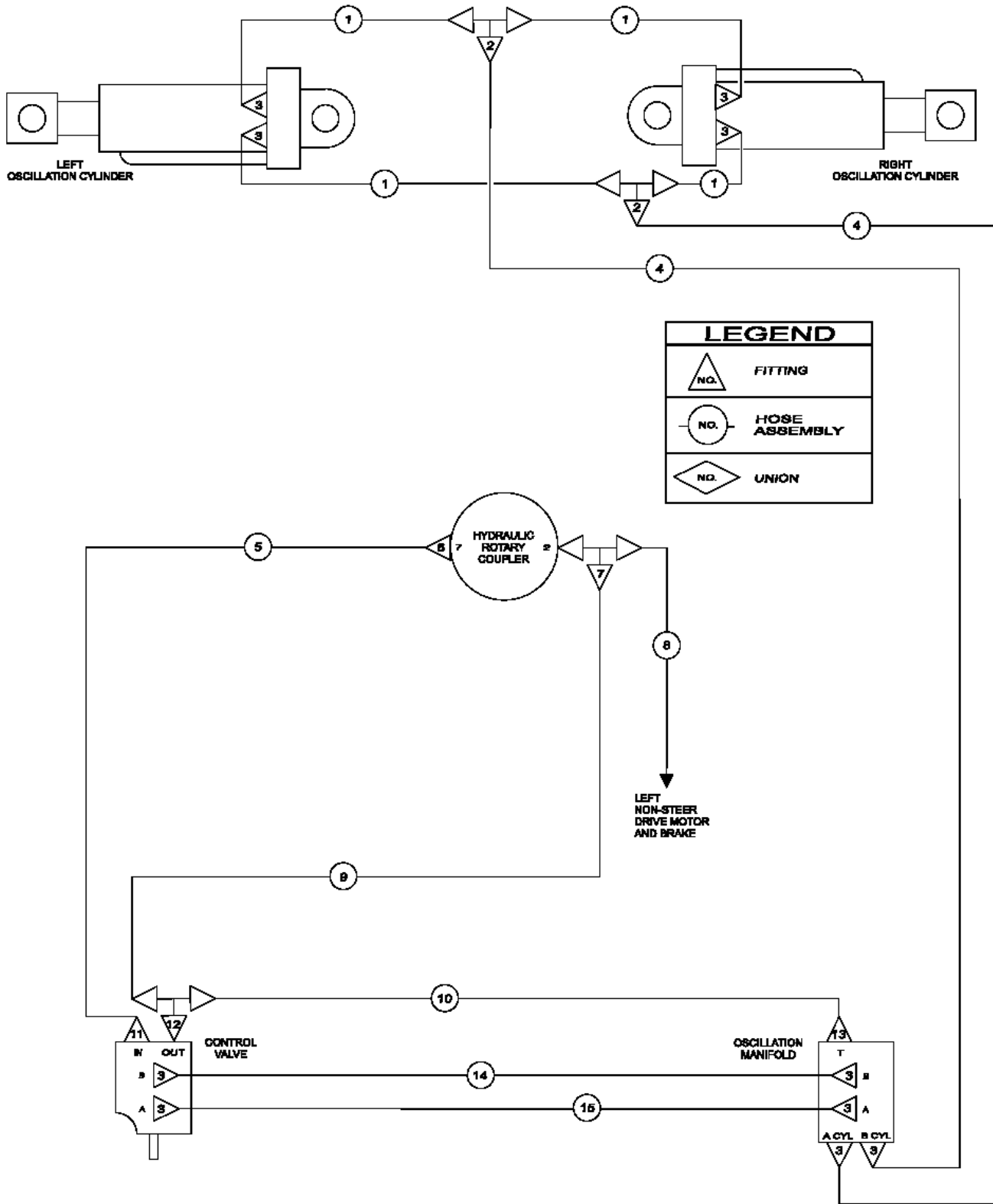
| Item | Part No. | Description | Qty. |
|------|------------|--------------------------------------|------|
| -- | 28750 | O-RING KIT,FIELD SVC,ALL PROD | |
| -- | 49612 | O-RING KIT (ORFS FITTINGS) | |
| -- | 49613 | PLUG AND CAP KIT-SERVICE,ORFS* | |
| 1 | 48915 | ELBOW,90D,520220-6..... | 4 |
| 2 | 48919 | TEE,BRANCH,520429-6..... | 2 |
| 3 | 49130-2332 | HOSE ASSEMBLY, 3/8"..... | 2 |
| | | 1 | |
| 4 | 49128-5909 | HOSE ASSEMBLY,3/8"..... | 2 |
| | | 2 | |
| 5 | 48920 | ELBOW,45D,520320-6..... | 1 |
| 6 | 48911 | ELBOW,90D,520220-4-6***..... | 1 |
| 7 | 48963 | FITTING,ELBOW,45D,520320-12***..... | 2 |
| 8 | 48960 | FITTING,CONN,520120-12***..... | 12 |
| 9 | 49156-2606 | HOSE ASSY,3/4,90 FEM,STR FEM..... | 1 |
| | | 3 | |
| 10 | 49149-1826 | HOSE ASSY,3/4,45 FEM,STR FEM..... | 1 |
| | | 4 | |
| 11 | 94374-2930 | HOSE ASSY,3/4,90 FEM,STR FEM..... | 1 |
| | | 4 | |
| 12 | 49172-7388 | HOSE ASSEMBLY,1/2"..... | 1 |
| | | 5 | |
| 13 | 49117-7641 | HOSE ASSY,1/4,90 FEM,STR FEM..... | 1 |
| | | 6 | |
| 14 | 49157-4335 | HOSE ASSEMBLY,3/4"..... | 1 |
| | | 7 | |
| 15 | 89871-3948 | HOSE ASSEMBLY,3/4" STR-STR.... | 1 |
| | | 7 | |
| 16 | 89871-3848 | HOSE ASSEMBLY,3/4" STR-STR.... | 1 |
| | | 7 | |
| 17 | 89871-3348 | HOSE ASSEMBLY,3/4" STR-STR.... | 1 |
| | | 7 | |
| 18 | 48906 | TEE,RUN,520428-4..... | 1 |
| 19 | 48904 | ELBOW,90D,520220-4-4..... | 1 |
| 20 | 48953 | TEE,RUN,520428-10..... | 1 |
| 21 | 49139-4518 | HOSE ASSEMBLY,1/2"..... | 1 |
| | | 8 | |

| Item | Part No. | Description | Qty. |
|------|----------|--------------------------------|------|
| 22 | 48946 | CONN,520120-8-10..... | 1 |
| -- | 33994 | PLUG AND CAP KIT-SERVICE,37°** | |

Footnotes

- 1:** Hose End - Female, Swivel, ORFS (Parker No. 1JC43-6), Hose End - Female, Swivel, ORFS (Parker No. 1JC43-6), and Hose, 3/8 inch (Parker No. 451TC-6)
- 2:** Hose End - Female, Swivel, ORFS (Parker No. 1JC43-6), Hose End - Female, Swivel, 90°, ORFS (Parker No. 1J943-6), and Hose, 3/8 inch (Parker No. 451TC-6)
- 3:** Hose End - Female, Swivel, ORFS (Parker No. 1JC71-12), Hose End - Female, Swivel, 90°, ORFS (Parker No. 1J971-12) and Hose, 3/4 inch (Parker No. 772-12)
- 4:** Hose End - Female, Swivel, ORFS (Parker No. 1JC43-12), Hose End - Female, Swivel, 45°, ORFS (Parker No. 1J743-12) and Hose, 3/4 inch (Parker No. 481-12)
- 5:** Hose End - Female, Swivel, 90°, ORFS (Parker No. 1J943-8), Hose End - Female, Swivel, ORFS (Parker No. 1JC43-10-8) and Hose, 1/2 inch (Parker No. 451TC-8)
- 6:** Hose End - Female, Swivel, ORFS (Parker No. 1JC43-4), Hose End - Female, Swivel, 90°, ORFS (Parker No. 1J943-4) and Hose, 1/4 inch (Parker No. 451TC-4)
- 7:** Hose End - Female, Swivel, ORFS (Parker No. 1JC71-12), Hose End - Female, Swivel, ORFS (Parker No. 1JC71-12) and Hose, 3/4 inch (Parker No. 772-12)
- 8:** Hose End - Female, Swivel, ORFS (Parker No. 1JC43-8), Hose End - Female, Swivel, 45°, ORFS (Parker No. 1J743-10-8) and Hose, 1/2 inch (Parker No. 451TC-8)

208.1 2WD Hydraulic Hoses and Fittings - Oscillation System

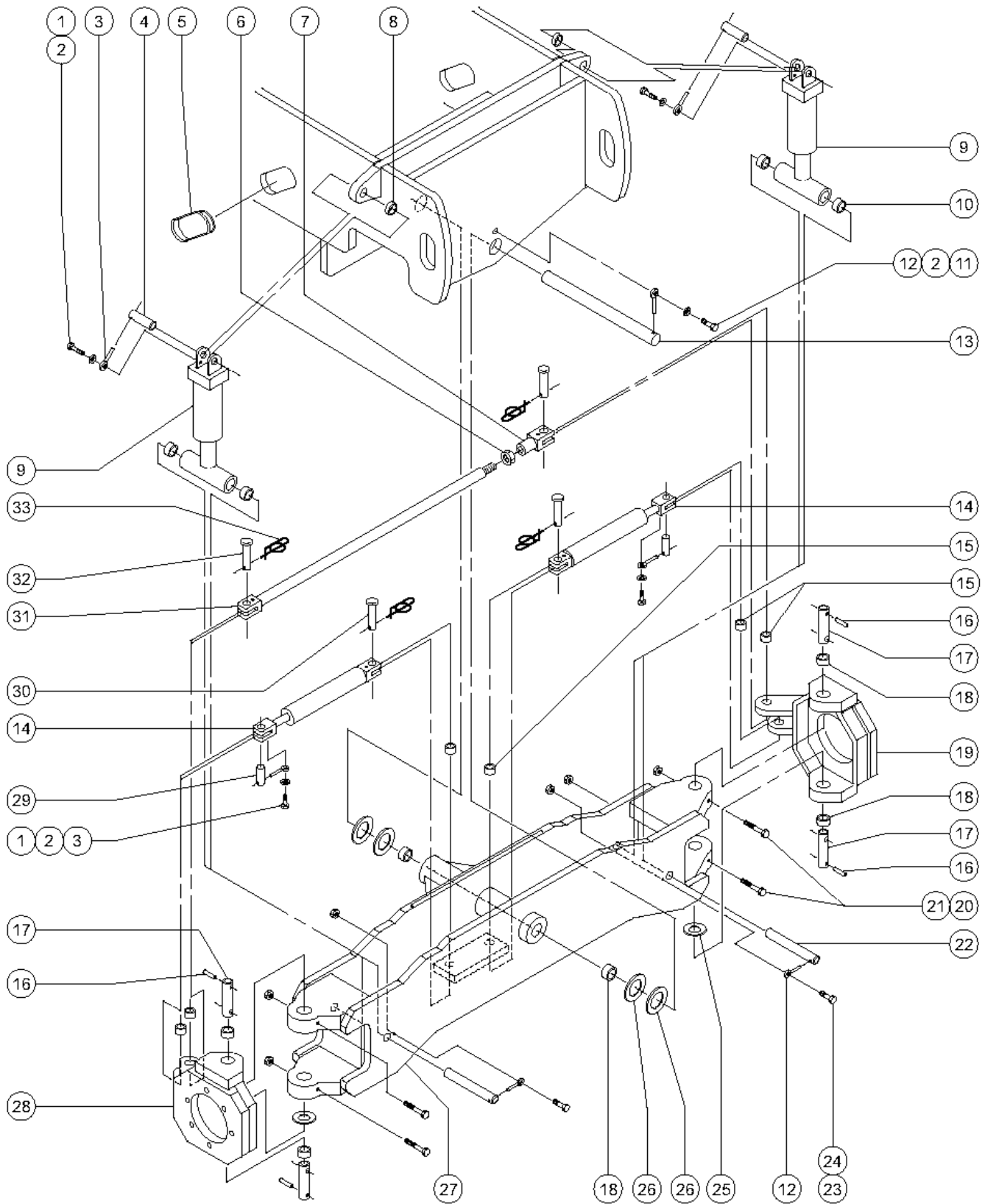


208.1 2WD Hydraulic Hoses and Fittings - Oscillation System

| Item | Part No. | Description | Qty. |
|------|-------------|--------------------------------------|------|
| -- | 28750 | O-RING KIT,FIELD SVC,ALL PROD | |
| -- | 49612 | O-RING KIT (ORFS FITTINGS) | |
| -- | 49613 | PLUG AND CAP KIT-SERVICE,ORFS* | |
| 1 | 49130-2357 | HOSE ASSEMBLY,3/8"..... | 4 |
| | | 1 | |
| 2 | 48896 | CONN,TEE,UNION,520401-6,ORFS. | 2 |
| 3 | 48916 | FITTING,CONN,520120-6..... | 10 |
| 4 | 49104-10809 | HOSE ASSEMBLY,3/8"..... | 2 |
| | | 2 | |
| 5 | 49125-5970 | HOSE ASSEMBLY,3/8"..... | 1 |
| | | 3 | |
| 6 | 48915 | ELBOW,90D,520220-6..... | 1 |
| 7 | 48935 | TEE,RUN,520428-8..... | 1 |
| 8 | 49117-7641 | HOSE ASSY,1/4,90 FEM,STR FEM..... | 1 |
| | | 4 | |
| 9 | 49141-6063 | HOSE ASSY,1/2,45 FEM,STR FEM..... | 1 |
| | | 5 | |
| 10 | 49143-1204 | HOSE ASSY,1/2,90 FEM,STR FEM..... | 1 |
| | | 6 | |
| 11 | 48930 | FITTING,CONN,520120-6-8*** | 1 |
| 12 | 48936 | TEE,BRANCH,520429-8..... | 1 |
| 13 | 48943 | FITTING,CONN,520120-8-6..... | 1 |
| 14 | 49124-1453 | HOSE ASSEMBLY,3/8"..... | 1 |
| | | 7 | |
| 15 | 49128-1109 | HOSE ASSY,3/8,90 FEM,STR FEM..... | 1 |
| | | 8 | |
| -- | 33994 | PLUG AND CAP KIT-SERVICE,37°** | |

| Item | Part No. | Description | Qty. |
|------------------|----------|---|------|
| Footnotes | | | |
| | | 1: Hose End - Female, Swivel, ORFS (Parker No. 1JC43-6), Hose End - Female, Swivel, ORFS (Parker No. 1JC43-6) and Hose, 3/8 inch (Parker No. 451TC-6) | |
| | | 2: Hose End - Female, Swivel, ORFS (Parker No. 1JC43-6), Hose End - Female, Swivel, 90°, ORFS (Parker No. 1J943-6) and Hose, 3/8 inch (Parker No. 381-6) | |
| | | 3: Hose End - Female, Swivel, ORFS (Parker No. 1JC43-6), Hose End - Female, Swivel, 90°, Med., ORFS (Parker No. 1J543-6) and Hose, 3/8 inch (Parker No. 451TC-6) | |
| | | 4: Hose End - Female, Swivel, ORFS (Parker No. 1JC43-4), Hose End - Female, Swivel, 90°, ORFS (Parker No. 1J943-4) and Hose, 1/4 inch (Parker No. 451TC-4) | |
| | | 5: Hose End - Female, Swivel, ORFS (Parker No. 1JC43-8), Hose End - Female, Swivel, 45°, Long, ORFS (Parker No. 1J743-8) and Hose, 1/2 inch (Parker No. 451TC-8) | |
| | | 6: Hose End - Female, Swivel, ORFS (Parker No. 1JC43-8), Hose End - Female, Swivel, 90°, ORFS (Parker No. 1J943-8) and Hose, 1/2 inch (Parker No. 451TC-8) | |
| | | 7: Hose End - Female, Swivel, ORFS (Parker No. 1JC43-6), Hose End - Female, Swivel, 90°, Long, ORFS (Parker No. 1J143-6) and Hose, 3/8 inch (Parker No. 451TC-6) | |
| | | 8: Hose End - Female, Swivel, ORFS (Parker No. 1JC43-6), Hose End - Female, Swivel, 90°, ORFS (Parker No. 1J943-6) and Hose, 3/8 inch (Parker No. 451TC-6) | |

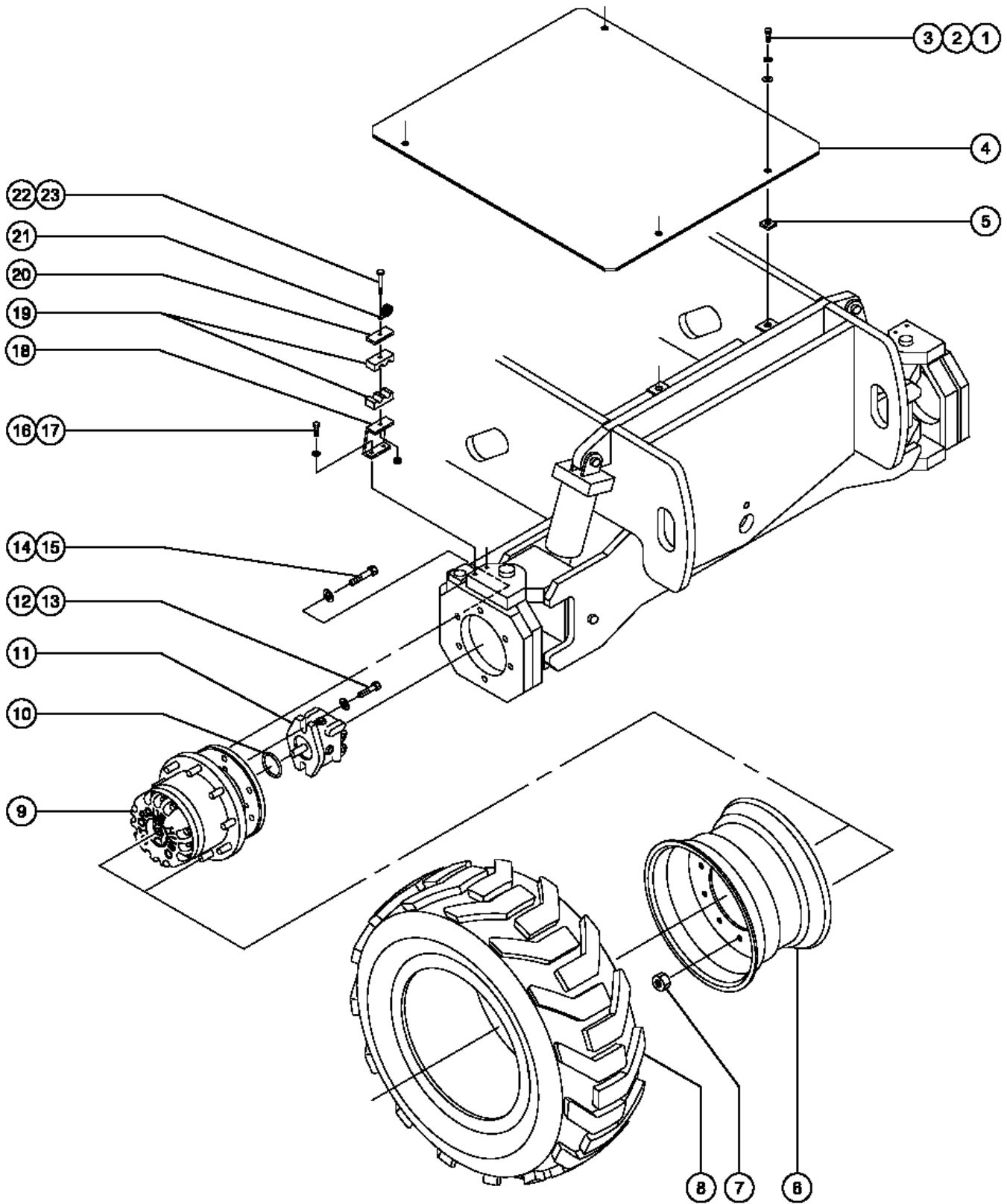
301.1 4WD Steer Axle Linkage



301.1 4WD Steer Axle Linkage

| Item | Part No. | Description | Qty. | Item | Part No. | Description | Qty. |
|------|----------|---|------|------|----------|--|------|
| 1 | 8255 | SCREW,HHC,3/8-16 X .75..... | 8 | 25 | 45074 | WASHER,THRUST,1.5 X 3.5 X .187..... | 2 |
| 2 | 6021 | WASHER,LOCK,.375..... | 9 | 26 | 36603 | WASHER,FLAT,1.56 X 3.5 X .061.... | 4 |
| 3 | 25284 | ROD END,.375 X 2.25***..... | 8 | 27 | 32651-S | Steer Axle Assembly..... | 1 |
| 4 | 30737 | PIN,1.25DIAX3.00LG,1HOLE..... | 2 | | | <i>includes 2 each index numbers 15 and 18</i> | |
| 5 | 53386 | GUARD, HOSE PROTECTOR..... | 2 | 28 | 32284-S | Yoke Assembly - Right Side..... | 1 |
| 5 | 53387 | GUARD, HOSE PROTECTOR..... | 2 | | | <i>includes 2 each index numbers 15 and 18</i> | |
| 6 | 28352 | NUT,HEX,JAM,1-8..... | 1 | 29 | 30734 | PIN,1.00DIAX2.88LG,1HOLE..... | 2 |
| 7 | 23154-S | WELDMENT,ROD END..... | 1 | 30 | 53613 | PIN, 3.50" X 1.00"..... | 2 |
| 8 | 30370 | BEARING,1.25IDX1.5ODX1.00L.... | 2 | | | <i>to SN 5453</i> | |
| 9 | 89099 | OSCILLATE,CYLINDER S40/45..... | 2 | -- | 32399 | PIN,CLEVIS,1 X 3 LG..... | 2 |
| -- | 31106 | VALVE,CNTERBAL,CBBB-LHN@3000**. | 2 | | | <i>from SN 5454</i> | |
| -- | 59050 | SEAL KIT,2.5" BORE,1.5" ROD***... | 2 | 31 | 30747-S | TIE ROD, WELDMENT..... | 1 |
| 10 | 25683 | BEARING,POLYGON,20DU12..... | 4 | -- | 63155 | WELDMENT,TIE ROD..... | 1 |
| 11 | 6175 | SCREW,HHC,3/8-16 X 1..... | 1 | 32 | 30734 | PIN,1.00DIAX2.88LG,1HOLE..... | 2 |
| 12 | 45226 | ROD END,.375 X 3.69..... | 3 | | | <i>to SN 5453</i> | |
| 13 | 30735 | PIN,1.50DIAX17.25LG,1HOLE..... | 1 | -- | 19440 | PIN,CLEVIS,1 X 2.5 LG..... | 2 |
| 14 | 89065 | CYLINDER,STEER***..... | 2 | | | <i>from SN 5454</i> | |
| -- | 32673 | SEAL KIT (CYL PN 30585) <i>for hydraulic cylinder number 30585</i> | | 33 | 25284 | ROD END,.375 X 2.25***..... | 4 |
| -- | 58116 | UPDATE KIT STEERING S40/45 <i>must use for first time replacement of hydraulic cylinder number 30585</i> | | | | <i>to SN 5453</i> | |
| -- | 59076 | SEAL KIT,2.0" BORE CYLINDERS** <i>for hydraulic cylinder number 59036</i> | | -- | 74389 | RUE RING 1.00..... | 4 |
| -- | 59169 | SEAL KIT,2" BORE,1" ROD*** <i>for hydraulic cylinder number 59297 and 59303</i> | | | | <i>from SN 5454</i> | |
| -- | 89066 | SEAL KIT,STEER CYL (89065) <i>for hydraulic cylinder number 89065</i> | | | | | |
| 15 | 25817 | BEARING,1.00IDX1.25ODX1.00L.... | 6 | | | | |
| 16 | 14815 | PIN,ROLL,SST,.25 X 2.25..... | 4 | | | | |
| 17 | 53081 | PIN,1.50DIAX4.76LG,2HOLE..... | 4 | | | | |
| 18 | 119619 | BEARING,1.5 ID X 1.75 ODX1.5L.... | 6 | | | | |
| 19 | 32285-S | Yoke Assembly - Left Side..... | 1 | | | | |
| | | <i>includes 2 each index numbers 15 and 18</i> | | | | | |
| 20 | 8220 | SCREW,HHC,1/2-13 X 4..... | 4 | | | | |
| 21 | 6086 | NUT,LP NYLOCK,1/2-13..... | 4 | | | | |
| 22 | 30190 | PIN,1.25DIAX7.25LG,1HOLE..... | 2 | | | | |
| 23 | 6708 | SCREW,HHC,3/8-16 X 2.25..... | 2 | | | | |
| 24 | 4828 | NUT,NYLOCK,3/8-16..... | 2 | | | | |

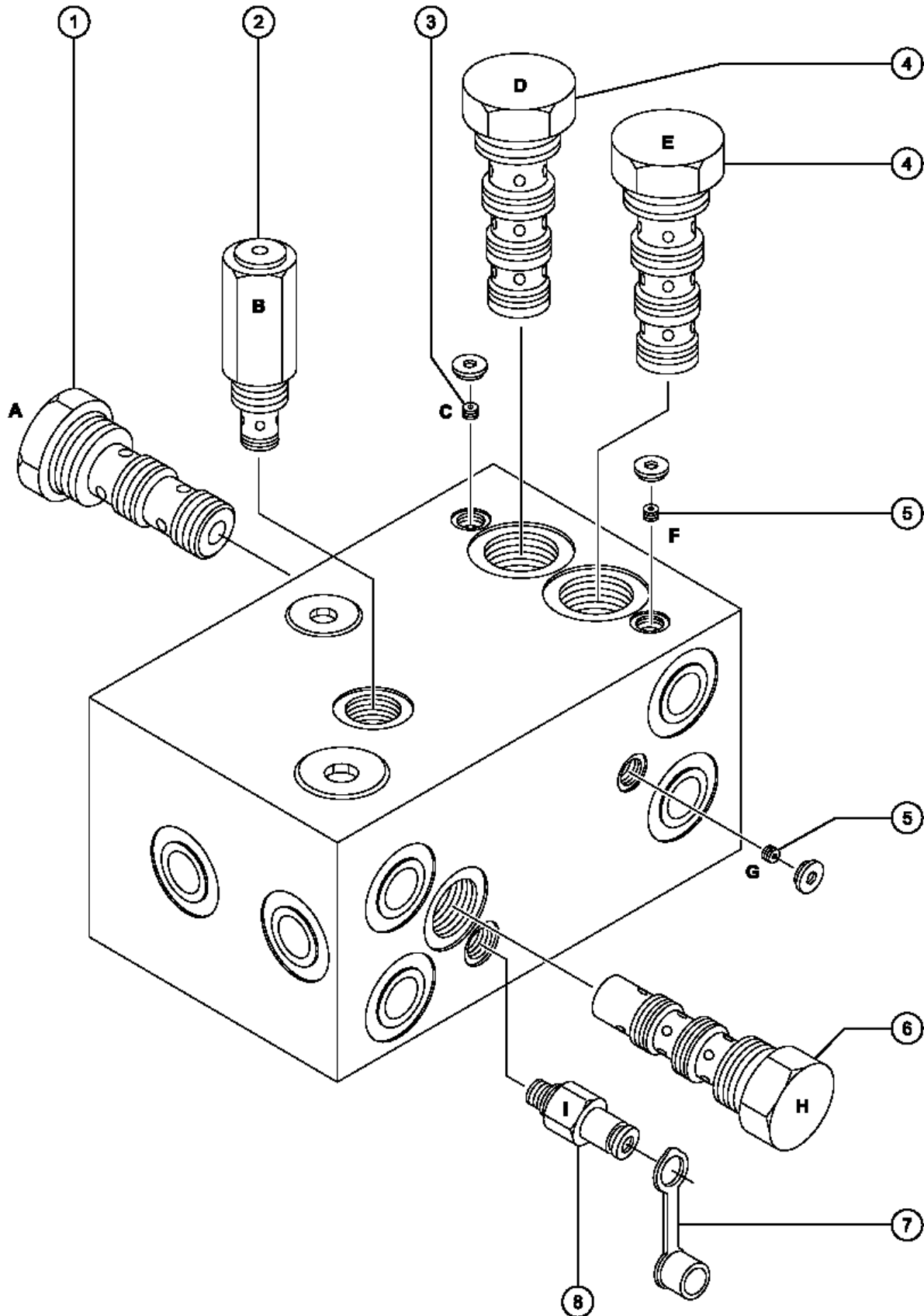
302.1 4WD Steer Axle - Wheels and Hubs



302.1 4WD Steer Axle - Wheels and Hubs

| Item | Part No. | Description | Qty. | Item | Part No. | Description | Qty. |
|------|----------|--|------|------|----------|--|------|
| -- | 53386 | GUARD, HOSE PROTECTOR..... | 2 | 14 | 45495 | SCREW,SHC,5/8-11 X 3.00,A574..... | 12 |
| -- | 53387 | GUARD, HOSE PROTECTOR..... | 2 | | | to SN 5369 | |
| 1 | 6090 | SCREW,HHC,1/4-20 X .7..... | 4 | -- | 73455 | SCREW,HHC,5/8-11 X 2.25 GR8..... | 12 |
| 2 | 6356 | WASHER,LOCK,.25..... | 4 | | | from SN 5370 | |
| 3 | 6638 | WASHER,FLAT,USS,1/4"Y..... | 4 | 15 | 42191 | WASHER,FLAT,.640X1.160X.09.... | 12 |
| 4 | 32676 | COVR W/DECLS,DR.CHAS.STR.END..... | 1 | 16 | 8255 | SCREW,HHC,3/8-16 X .75..... | 4 |
| | | to SN 2872 | | 17 | 6021 | WASHER,LOCK,.375..... | 4 |
| -- | 102278 | CVR ASSY W/DECALS,DRV CHASS ST..... | 1 | 18 | 30889P-S | BRACKET,YOKE HOSE MOUNT,PAINTD..... | 2 |
| | | from SN 2873 | | 19 | 36858 | CLAMP PAIR,DUAL HOSE..... | 2 |
| 5 | 56912 | SPRING CLIP,1/4-20,MAGNI 565.... | 4 | 20 | 36859 | TOP PLATE,CLAMP..... | 2 |
| 6 | 73196 | WHEEL, 16.5 X 9.75 S40..... | 2 | 21 | 45454 | CLAMP,RUB CUSH,0.75,#12 X 3/8*..... | 2 |
| 7 | 54627 | NUT,LUG,5/8-18 X 90 DEGREE,Z45..... | 18 | 22 | 18505 | 5/16-18 X 2.25 LG.FLG.LCK.SCRW..... | 2 |
| 8 | | Ref. Tire & Wheel assemblies (refer to 304.1) | | 23 | 6002 | NUT,LP NYLOCK,5/16-18..... | 2 |
| 8 | 33412 | TIRE,12X16.5,8 PLY,SGL..... | 2 | | | | |
| -- | 81489 | TIRE,12-16.5/8PR S40 HAULER.... | 2 | | | | |
| 9 | 45553 | TORQUE HUB SERIES 1-18.25:1...2 | 2 | | | | |
| -- | 21142 | SEAL KIT (W1B) TORQUE HUBS...2 | 2 | | | | |
| -- | 21143 | BEARING KIT (45553) TORQUE HUB..... | 2 | | | | |
| -- | 21144 | CAP,DISENGAGE-45553 TORQUE HUB..... | 2 | | | | |
| -- | 21145 | DISCONNECT ROD-45553 TQ.HUB..... | 2 | | | | |
| -- | 21146 | COVER CAP,TORQUE HUB***..... | 2 | | | | |
| -- | 21148 | WASHER,THRUST,TORQUE HUB..... | 2 | | | | |
| -- | 21149 | LUG,WHEEL STUD,5/8-18,W1/4HB**..... | 2 | | | | |
| -- | 37097 | O-RING, TORQUE HUB..... | 2 | | | | |
| | | included in Seal Kit part number 21142 | | | | | |
| -- | 58438 | KIT,COVER,TORQUE HUB,45553***..... | 2 | | | | |
| -- | 58448 | KIT,TORQUE HUB COVER (45553)**..... | 2 | | | | |
| 10 | 52087 | O-RING,2-044 BUNA..... | 2 | | | | |
| 11 | 33432 | MOTOR,HYD,25CC FIXED***..... | 2 | | | | |
| | | includes index number 10 | | | | | |
| -- | 32675 | SEAL KIT,SUNSTRAND..... | 2 | | | | |
| 12 | 8177 | SCREW,HHC,1/2-13 X 1.5..... | 4 | | | | |
| 13 | 13066 | WASHER,FLAT,.5 HARDENED..... | 4 | | | | |

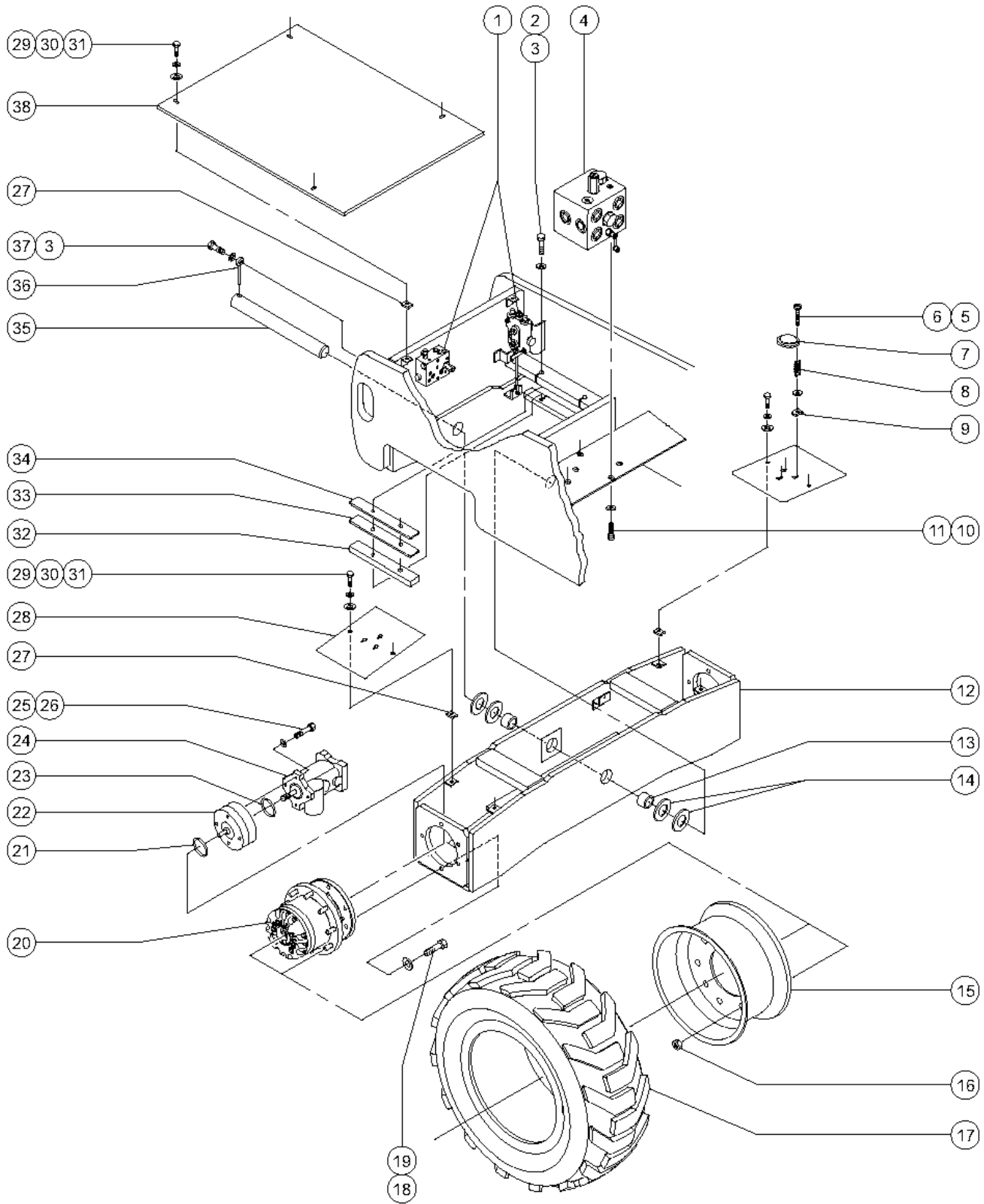
303.1 4WD Drive Manifold



303.1 4WD Drive Manifold

| Item | Part No. | Description | Qty. |
|------|----------|--|------|
| -- | 28750 | O-RING KIT,FIELD SVC,ALL PROD | |
| -- | 49612 | O-RING KIT (ORFS FITTINGS) | |
| -- | 49613 | PLUG AND CAP KIT-SERVICE,ORFS* | |
| A | | Flow Divider/Combiner Valve <i>Controls Flow to Flow Divider/Combiners, items D and E</i> | |
| B | | Relief Valve <i>Charge Pressure Circuit</i> | |
| C | | Orifice Plug <i>Front Drive Motor Circuit</i> | |
| D | | Flow Divider/Combiner Valve <i>Controls Flow to Steer End Drive Motors in Forward/Reverse</i> | |
| E | | Flow Divider/Combiner Valve <i>Controls Flow to Non-steer End Drive Motors in Forward/Reverse</i> | |
| F | | Orifice Plug <i>Rear Drive Motor Circuit</i> | |
| G | | Orifice Plug <i>Equalizes Pressure on both sides of Flow Divider/Combiner Valve, item A</i> | |
| H | | Shuttle Valve,3 position 3 way <i>Charge Pressure, Hot Oil Shuttle</i> | |
| I | | Diagnostic fitting <i>Testing</i> | |
| 1 | 33521 | VALVE,FLOW DIVIDER/COMBINER..... | 1 |
| 2 | 31406 | VALVE,RELIEF 250 PSI..... | 1 |
| 3 | 29737 | PLUG,ORIFICE,0.052 INCH..... | 1 |
| 4 | 52726 | VALVE,FLOW DIVIDER/COMBINER..... | 2 |
| 5 | 33520 | PLUG,ORIFICE,0.070..... | 2 |
| 6 | 27761 | VALVE,SHUTTLE..... | 1 |
| 7 | 48880 | CAP,DIAGNOSTIC NIPPLE..... | 1 |
| 8 | 20224 | DIAGNOSTIC FEMALE Q-DSCNT..... | 1 |
| 8 | 48997 | NIPPLE,DIAGNOSTIC,#4 PORT***..... | 1 |
| -- | 33994 | PLUG AND CAP KIT-SERVICE,37°** | |
| -- | 34447 | MANIFOLD,TRACTN,4WD,(S)SERIES* <i>includes index numbers 1 through 6</i> | |

304.1 4WD Non-steer Axle



304.1 4WD Non-steer Axle

| Item | Part No. | Description | Qty. | Item | Part No. | Description | Qty. |
|------|----------|---|------|------|----------|--|------|
| 1 | | Ref. Oscillation Manifold and Control Valve (refer to Figure 305.1) | | -- | 73925 | TIRE,33/16LL500,10PLY LITEFOOT | |
| 2 | 6096 | SCREW,HHC,1/2-13 X 2 GR5..... | 4 | -- | 81008 | TIRE/WHEEL ASSY,RH,12-16.5/8PR <i>air-filled</i> | |
| 3 | 6021 | WASHER,LOCK, .375..... | 5 | -- | 81009 | TIRE/WHEEL ASSY,LH,12-16.5/8PR <i>air-filled</i> | |
| 4 | 34447 | MANIFOLD,TRACTN,4WD,(S)SERIES*.1 | | -- | 81492 | TIRE & WHEEL ASSY,RH FOAM <i>foam-filled</i> | |
| 5 | 73634 | SCREW,PHIL,PHM,10-24X1.5 ZINC..... | 3 | -- | 81493 | TIRE & WHEEL ASSY,LH FOAM <i>foam-filled</i> | |
| 6 | 6146 | WASHER,FLAT,MS,#10,Y..... | 3 | 18 | 45495 | SCREW,SHC,5/8-11 X 3.00,A574..... | 12 |
| 7 | 77026 | LEVEL,BUBBLE,2 DEGREE..... <i>European models</i> | 1 | | | | |
| 8 | 77027 | SPRING,1X.31 ODX.040WIRE,SS..... | 3 | -- | 13004 | SCREW,HHC,5/8-11 X 3 GRD.8.... <i>from SN 5370</i> | 12 |
| 9 | 73575 | SPRING CLIP,10-24,ZINC..... | 3 | 19 | 56911 | WASHER,FLAT, .688X1.160X.09.... | 12 |
| 10 | 8177 | SCREW,HHC,1/2-13 X 1.5..... | 2 | 20 | 20193 | TORQUE HUB,35:1*** | 2 |
| 11 | 6033 | WASHER,LOCK,0.5"..... | 2 | -- | 21142 | SEAL KIT (W1B) TORQUE HUBS.... | 2 |
| 12 | 32653 | NON-STEER AXLE ASSY,S40..... <i>includes index number 13</i> | 1 | -- | 21143 | BEARING KIT (45553) TORQUE HUB..... | 2 |
| 13 | 18396 | BEARING,1.5ID X 1.75OD X 1.0L.... | 2 | -- | 21144 | CAP,DISENGAGE-45553 TORQUE HUB..... | 2 |
| 14 | 36603 | WASHER,FLAT,1.56 X 3.5 X .061.... 1 | 4 | -- | 21145 | DISCONNECT ROD-45553 TQ.HUB..... | 2 |
| 15 | 73196 | WHEEL, 16.5 X 9.75 S40..... | 2 | -- | 21146 | COVER CAP,TORQUE HUB***..... | 2 |
| 16 | 54627 | NUT,LUG,5/8-18 X 90 DEGREE,Z45..... | 18 | -- | 21148 | WASHER,THRUST,TORQUE HUB..... | 2 |
| 17 | 81489 | TIRE,12-16.5/8PR S40 HAULER..... | 1 | -- | 21149 | LUG,WHEEL STUD,5/8-18,W1/4HB** | 2 |
| -- | 102802 | S40 NM RT TIRE,RH <i>foam-filled</i> | | -- | 37097 | O-RING, TORQUE HUB..... <i>included in Seal Kit part number 21142</i> | 2 |
| -- | 102803 | S40 NM RT TIRE,LH <i>foam-filled</i> | | -- | 58438 | KIT,COVER,TORQUE HUB,45553***..... | 2 |
| -- | 111453 | ASSY,TIRE/WHEEL,RH,RT,NM,W/SEA <i>non-marking, air-filled, sealant</i> | | -- | 58448 | KIT,TORQUE HUB COVER (45553)**..... | 2 |
| -- | 111454 | ASSY,TIRE/WHEEL,LH,RT,NM,W/SEA <i>non-marking, air-filled, sealant</i> | | -- | 58589 | THRUST CAP (20193) | |
| -- | 73204 | TIRE & WHEEL ASSY,RH <i>non-marking, air-filled</i> | | 21 | 52087 | O-RING,2-044 BUNA..... | 2 |
| -- | 73205 | TIRE & WHEEL ASSY,LH <i>non-marking, air-filled</i> | | 22 | 41912 | BRAKE,MICO,1200 IN/LB*** | 2 |
| -- | 73212 | TIRE,12-16.5, 12PR,NON-MARKING | | | | <i>includes 1 each of index number 21; to SN 5456</i> | |
| -- | 73490 | TIRE & WHEEL ASSY.-RH <i>foam-filled, flotation</i> | | -- | 41912 | BRAKE,MICO,1200 IN/LB*** | 2 |
| -- | 73491 | TIRE & WHEEL ASSY.-LH <i>foam-filled, flotation</i> | | | | <i>includes 1 each of index number 21; from SN 5457</i> | |
| -- | 73493 | TIRE,31X15.50-15,8PR 23DEG FLO | | -- | 41918 | LINING KIT,MICO BRAKE..... | 2 |
| -- | 73923 | TIRE & WHEEL ASSY.,FLOTATION <i>air-filled, flotation</i> | | -- | 41922 | BEARING KIT,BRAKE,MICO..... | 2 |
| | | | | -- | 65608 | BEARING KIT, AUSCO*** | 2 |

304.1 4WD Non-steer Axle (continued)

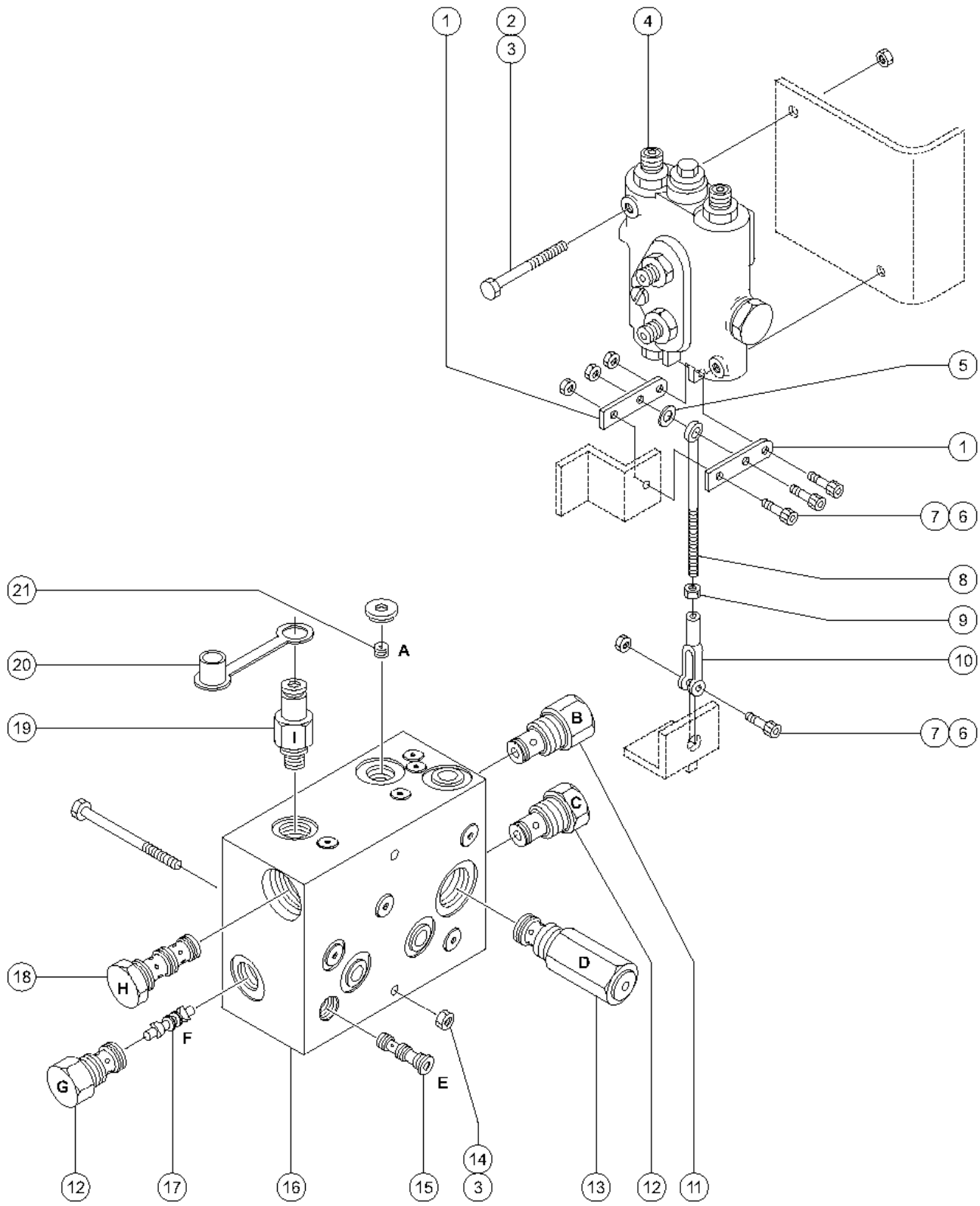
| Item | Part No. | Description | Qty. |
|------|----------|---|------|
| -- | 72319 | SPRING (RED) MICO <i>For 41912; 8 required per brake</i> | |
| -- | 77239 | LINING KIT,AUSCO BRAKE***.....2 | |
| -- | 77240 | SEAL KIT, AUSCO BRAKE***2 | |
| 23 | 22811 | O-RING,MOTOR TO BRAKE.....2 | |
| 24 | 101587 | MOTOR,PISTON,LC30,10 DEG,13T**.....2 <i>includes 1 each index number 23</i> | |
| -- | 32680 | SEAL KIT,SUNSTRAND.....2 | |
| 25 | 7261 | SCREW,HHC,1/2-13 X 5 BLACK.....8 <i>to SN 5369</i> | |
| -- | 73858 | SCREW,SHC,1/2-13X5.0 GR 5 ZINC.....8 <i>from SN 5370</i> | |
| 26 | 13066 | WASHER,FLAT,.5 HARDENED.....8 | |
| 27 | 56912 | SPRING CLIP,1/4-20,MAGNI 565.....8 | |
| 28 | 30802P-S | COVER,NON-STEER AXLE "BLUE".....2 | |
| 29 | 6090 | SCREW,HHC,1/4-20 X .7.....8 | |
| 30 | 6356 | WASHER,LOCK,.25.....8 | |
| 31 | 6638 | WASHER,FLAT,USS,1/4"Y.....8 | |
| 32 | 30690 | BAR,AXLE ROTATION STOP,OSC.....2 <i>oscillating models</i> | |
| -- | 30691 | BAR,AXLE ROTATION STOP,NON-OSC.....2 <i>non-oscillating models</i> | |
| 33 | 30808 | SHIM,AXLE ROTATION STOP.....2 1 | |
| 34 | 30809 | SHIM,AXLE ROTATION STOP,22 GA.....2 1 | |
| 35 | 30735 | PIN,1.50DIAX17.25LG,1HOLE.....1 | |
| 36 | 45226 | ROD END,.375 X 3.69.....1 | |
| 37 | 6175 | SCREW,HHC,3/8-16 X 1.....1 | |
| 38 | 32682 | COVR W/DECL,DR.CHAS.NONSTEER.....1 <i>to SN 2872</i> | |
| -- | 89803 | COVER, CHASSIS ASSY W/DECALS.....1 <i>from SN 2873</i> | |

Footnotes

1: Quantity listed for this item is approximate.
Actual quantity may vary to ensure proper fit.

This Page Intentionally Left Blank

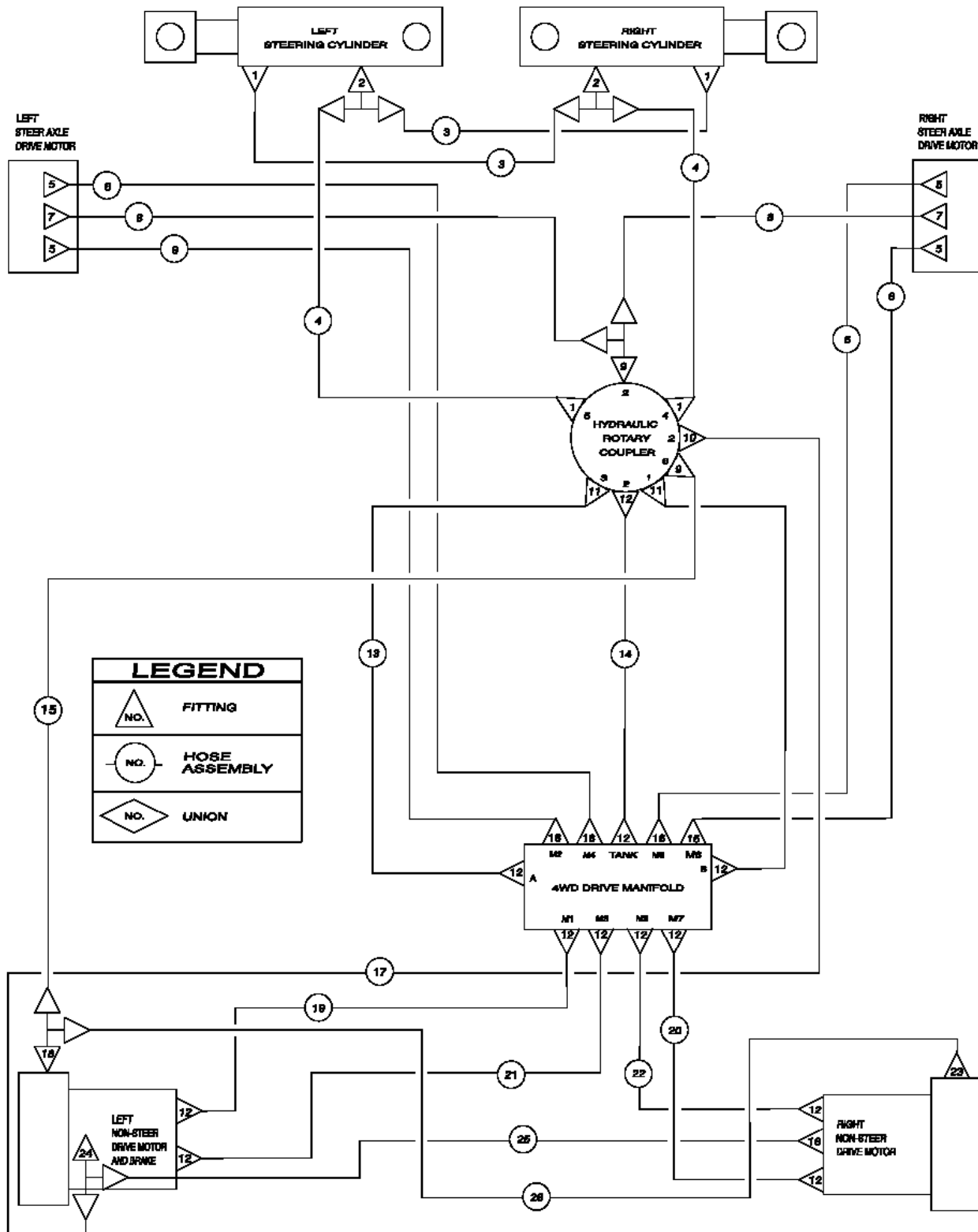
305.1 4WD Oscillation Manifold and Control Valve



305.1 4WD Oscillation Manifold and Control Valve

| Item | Part No. | Description | Qty. | Item | Part No. | Description | Qty. |
|------|----------|---|------|------|----------|--|------|
| -- | 28750 | O-RING KIT,FIELD SVC,ALL PROD | | 16 | 30797 | MANIFOLD,OSCILLATION.....1 <i>includes index numbers 11 through 13, 15, 17, 18 and 21</i> | |
| -- | 49612 | O-RING KIT (ORFS FITTINGS) | | -- | 25375 | SEAL KIT (ALL MANIFOLDS).....1 | |
| -- | 49613 | PLUG AND CAP KIT-SERVICE,ORFS* | | 17 | 32724 | PISTON (30797).....1 | |
| A | | Orifice Plug <i>Differential Sensing Circuit</i> | | 18 | 32723 | VALVE,SHUTTLE (30797).....1 | |
| B | | Differential Sensing Valve <i>Differential Sensing</i> | | 19 | 48997 | NIPPLE,DIAGNOSTIC,#4 PORT***.....1 | |
| C | | Check Valve <i>Oscillate, Left</i> | | -- | 20224 | DIAGNOSTIC FEMALE Q-DSCNT.....1 | |
| D | | Valve, Unloader Pilot Operated <i>Sequencing</i> | | 20 | 48880 | CAP,DIAGNOSTIC NIPPLE.....1 | |
| E | | Shuttle Valve, 2 position 3 way <i>Pilot</i> | | 21 | 29737 | PLUG,ORIFICE,0.052 INCH.....1 | |
| F | | Piston <i>Check Valve Circuit.</i> | | -- | 33994 | PLUG AND CAP KIT-SERVICE,37°** | |
| G | | Check Valve <i>Oscillate, Right</i> | | | | | |
| H | | Shuttle Valve, 2 position 3 way <i>Unloading</i> | | | | | |
| I | | Diagnostic Fitting <i>Testing</i> | | | | | |
| 1 | 30884 | OSCILLATE VALVE LINKAGE.....2 | | | | | |
| 2 | 4266 | SCREW,HHC,1/4-20 X 2.....2 | | | | | |
| 3 | 6091 | NUT,NYLOCK,1/4-20.....4 | | | | | |
| 4 | 30558 | VLV,MAN,3 POS/4 WAY,OPEN CTR.....1 | | | | | |
| -- | 32681 | SEAL KIT,CONTROL VALVE.....1 | | | | | |
| 5 | 20980 | WASHER,NYLON,.410 X.257X.045.....1 | | | | | |
| 6 | 6584 | SCREW,SHS,10-24 X .625.....4 | | | | | |
| 7 | 5365 | NUT,NYLOCK,10-24.....4 | | | | | |
| 8 | 30885 | LINKAGE ROD.....1 | | | | | |
| 9 | 21496 | NUT,HEX,1/4-28.....1 | | | | | |
| 10 | 21130 | CLEVIS YOKE-1/4-28,PLTD W/PIN.....1 <i>includes clevis pin and cotter pin</i> | | | | | |
| 11 | 27532 | VALVE,DIFFERENTIAL SENSING.....1 | | | | | |
| 12 | 32725 | VALVE,CHECK (30797).....2 | | | | | |
| 13 | 37050 | VALVE,UNLOADER,P.O.....1 | | | | | |
| 14 | 11413 | SCREW,HHC,1/4-20 X 4.....2 | | | | | |
| 15 | 45483 | VALVE,SHUTTLE***.....1 | | | | | |

306.1 4WD Hydraulic Hoses and Fittings - Drive and Steer Systems



306.1 4WD Hydraulic Hoses and Fittings - Drive and Steer Systems

| Item | Part No. | Description | Qty. | Item | Part No. | Description | Qty. |
|------|--------------|--|------|------|------------|--|------|
| -- | 28750 | O-RING KIT,FIELD SVC,ALL PROD | | 22 | 89871-3348 | HOSE ASSEMBLY,3/4" STR-STR....1 | |
| -- | 49612 | O-RING KIT (ORFS FITTINGS) | | | | 9 | |
| -- | 49613 | PLUG AND CAP KIT-SERVICE,ORFS* | | 23 | 48904 | ELBOW,90D,520220-4-4.....1 | |
| 1 | 48915 | ELBOW,90D,520220-6.....4 | | 24 | 48906 | TEE,RUN,520428-4.....1 | |
| 2 | 48919 | TEE,BRANCH,520429-6.....2 | | 25 | 49139-4518 | HOSE ASSEMBLY,1/2".....1 | |
| 3 | 49130-2332 | HOSE ASSEMBLY, 3/8".....2 | | | | 10 | |
| | | 1 | | 26 | 49119-6078 | HOSE ASSY,1/4,STR FEM,STR FEM.....1 | |
| 4 | 49128-5909 | HOSE ASSEMBLY,3/8".....2 | | | | 11 | |
| | | 2 | | -- | 33994 | PLUG AND CAP KIT-SERVICE,37°** | |
| 5 | 48948 | CONN,520120-8-12.....4 | | | | | |
| 6 | 49107-10213S | Hose Assembly - Components: @ 100 inches (253 cm).....4 | | | | | |
| | | 3 | | | | | |
| 7 | 48937 | ELBOW,45D,520320-8.....2 | | | | | |
| 8 | 49141-7813S | Hose Assembly - Components: @ 76 inches (192 cm).....2 | | | | | |
| | | 4 | | | | | |
| 9 | 48935 | TEE,RUN,520428-8.....2 | | | | | |
| 10 | 48911 | ELBOW,90D,520220-4-6***.....1 | | | | | |
| 11 | 48963 | FITTING,ELBOW,45D,520320-12***.2 | | | | | |
| 12 | 48960 | FITTING,CONN,520120-12***.....12 | | | | | |
| 13 | 49156-2606 | HOSE ASSY,3/4,90 FEM,STR FEM.....1 | | | | | |
| | | 5 | | | | | |
| 14 | 49149-1826 | HOSE ASSY,3/4,45 FEM,STR FEM.....1 | | | | | |
| | | 6 | | | | | |
| 15 | 49172-7388 | HOSE ASSEMBLY,1/2".....1 | | | | | |
| | | 7 | | | | | |
| 16 | 48946 | CONN,520120-8-10.....5 | | | | | |
| 17 | 49117-7641 | HOSE ASSY,1/4,90 FEM,STR FEM.....1 | | | | | |
| | | 8 | | | | | |
| 18 | 48953 | TEE,RUN,520428-10.....1 | | | | | |
| 19 | 49157-4335 | HOSE ASSEMBLY,3/4".....1 | | | | | |
| | | 9 | | | | | |
| 20 | 89871-3848 | HOSE ASSEMBLY,3/4" STR-STR....1 | | | | | |
| | | 9 | | | | | |
| 21 | 89871-3948 | HOSE ASSEMBLY,3/4" STR-STR....1 | | | | | |
| | | 9 | | | | | |

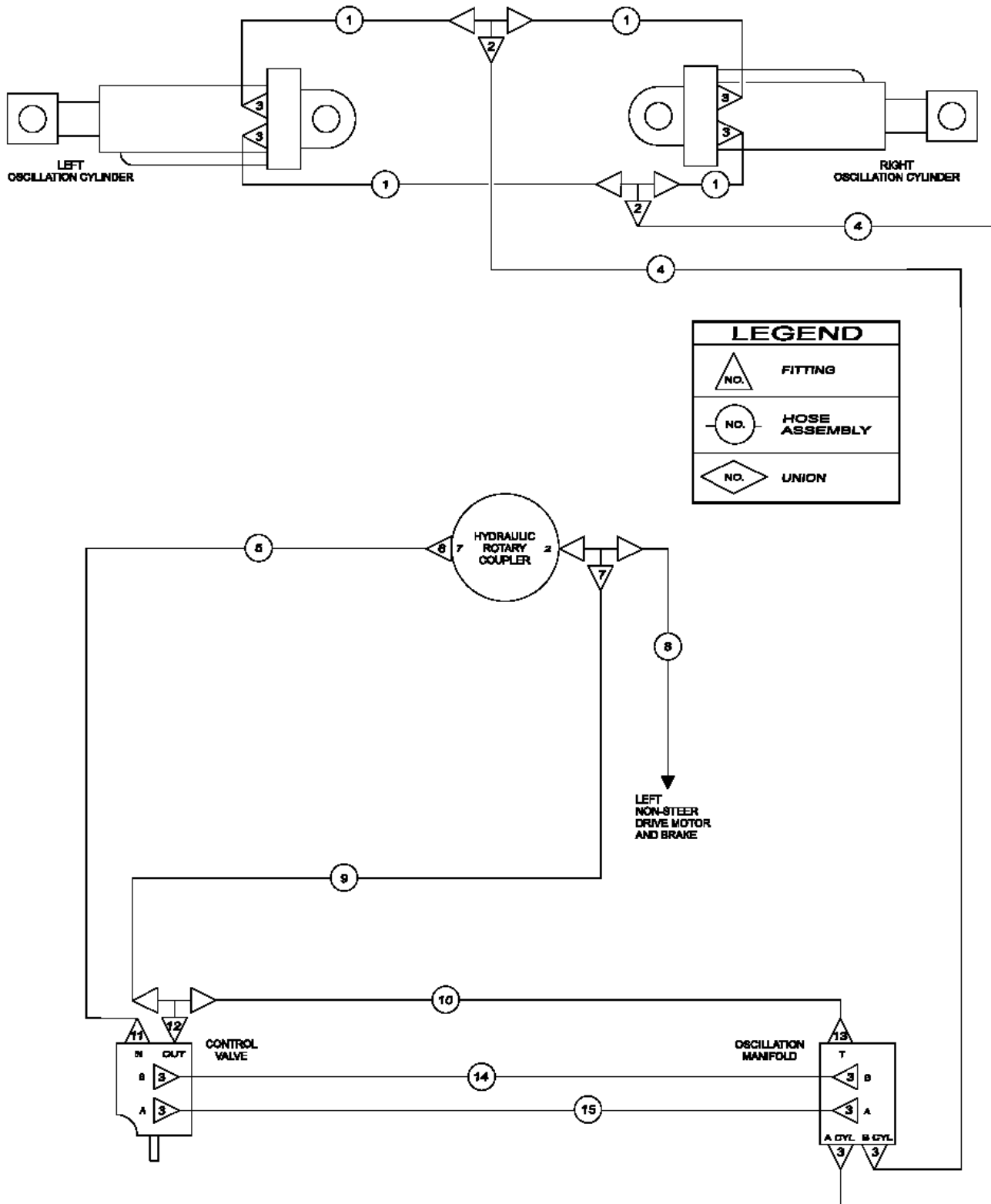
306.1 4WD Hydraulic Hoses and Fittings - Drive and Steer Systems
(continued)

| Item | Part No. | Description | Qty. | Item | Part No. | Description | Qty. |
|------|----------|-------------|------|------|----------|-------------|------|
|------|----------|-------------|------|------|----------|-------------|------|

306.1 4WD Hydraulic Hoses and Fittings - Drive and Steer Systems

| Item | Part No. | Description | Qty. | Item | Part No. | Description | Qty. |
|------------------|----------|--|------|---|----------|-------------|------|
| Footnotes | | | | | | | |
| | | 1: Hose End - Female, Swivel, ORFS (Parker No. 1JC43-6), Hose End - Female, Swivel, ORFS (Parker No. 1JC43-6) and Hose, 3/8 inch (Parker No. 451TC-6) | | 11: Hose End - Female, Swivel, ORFS (Parker No. 1JC43-4), Hose End - Female, Swivel, ORFS (Parker No. 1JC43-4) and Hose, 1/4 inch (Parker No. 451TC-4) | | | |
| | | 2: Hose End - Female, Swivel, ORFS (Parker No. 1JC43-6), Hose End - Female, Swivel, 90°, ORFS (Parker No. 1J943-6) and Hose, 3/8 inch (Parker No. 451TC-6) | | | | | |
| | | 3: Hose End - Female, Swivel, ORFS (Parker No. 1JC43-8), Hose End - Female, Swivel, 45°, ORFS (Parker No. 1J743-8) and Hose, 1/2 inch (Parker No. 381-8) | | | | | |
| | | 4: Hose End - Female, Swivel, ORFS (Parker No. 1JC43-8), Hose End - Female, Swivel, 45°, ORFS (Parker No. 1J743-8) and Hose, 1/2 inch (Parker No. 451TC-8) | | | | | |
| | | 5: Hose End - Female, Swivel, ORFS (Parker No. 1JC71-12), Hose End - Female, Swivel, 90°, ORFS (Parker No. 1J971-12) and Hose, 3/4 inch (Parker No. 772-12) | | | | | |
| | | 6: Hose End - Female, Swivel, ORFS (Parker No. 1JC43-12), Hose End - Female, Swivel, 45°, ORFS (Parker No. 1J743-12) and Hose, 3/4 inch (Parker No. 481-12) | | | | | |
| | | 7: Hose End - Female, Swivel, 90°, ORFS (Parker No. 1J943-8), Hose End - Female, Swivel, ORFS (Parker No. 1JC43-10-8) and Hose, 1/2 inch (Parker No. 451TC-8) | | | | | |
| | | 8: Hose End - Female, Swivel, ORFS (Parker No. 1JC43-4), Hose End - Female, Swivel, 90°, ORFS (Parker No. 1J943-4) and Hose, 1/4 inch (Parker No. 451TC-4) | | | | | |
| | | 9: Hose End - Female, Swivel, ORFS (Parker No. 1JC71-12), Hose End - Female, Swivel, ORFS (Parker No. 1JC71-12) and Hose, 3/4 inch (Parker No. 772-12) | | | | | |
| | | 10: Hose End - Female, Swivel, ORFS (Parker No. 1JC43-8), Hose End - Female, Swivel, Straight, ORFS (Parker No. 1J743-10-8) and Hose, 1/2 inch (Parker No. 451TC-8) | | | | | |

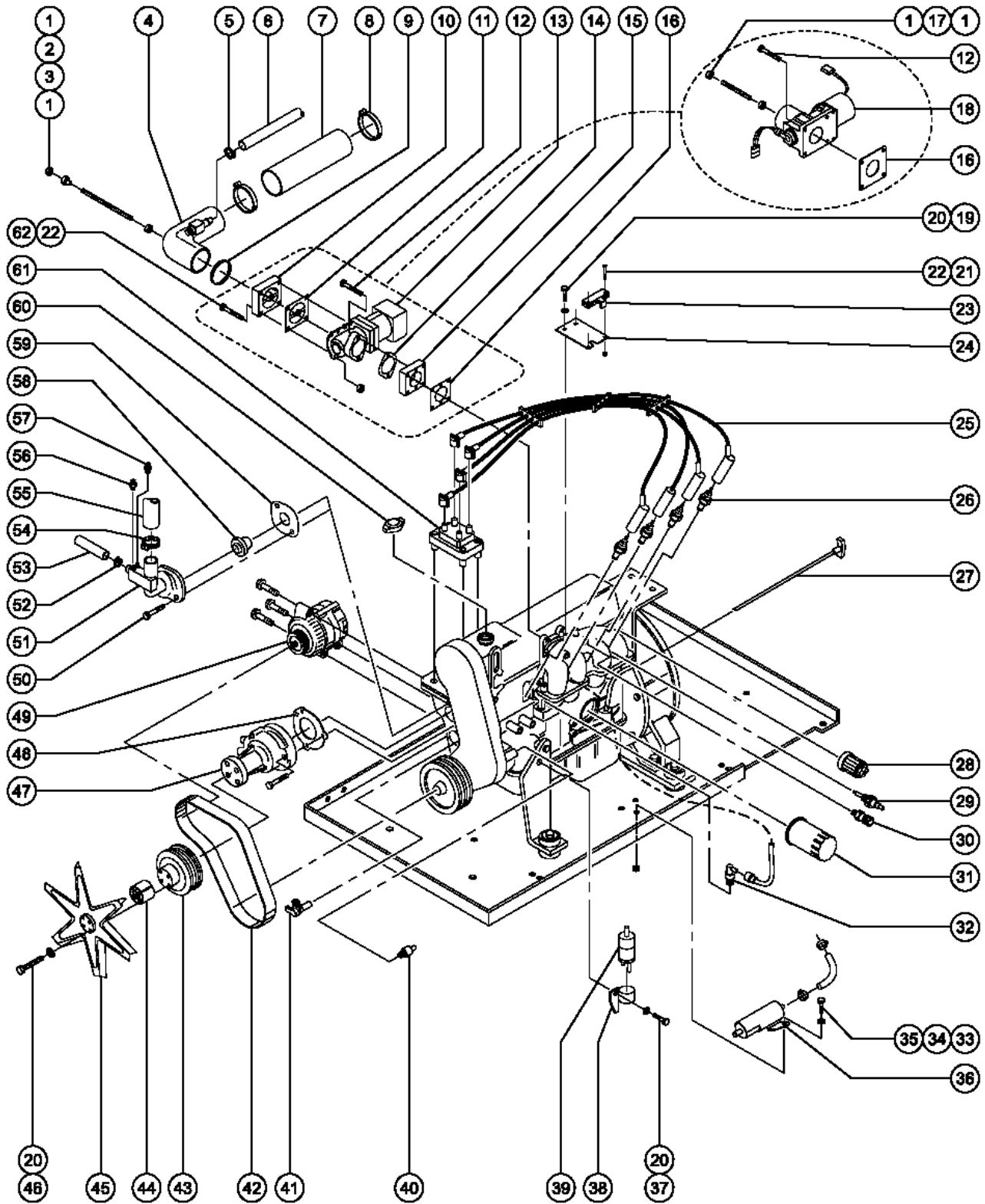
307.1 4WD Hydraulic Hoses and Fittings - Oscillation System



307.1 4WD Hydraulic Hoses and Fittings - Oscillation System

| Item | Part No. | Description | Qty. | Item | Part No. | Description | Qty. |
|------|--------------|---|------|------------------|---|-------------|------|
| -- | 28750 | O-RING KIT,FIELD SVC,ALL PROD | | Footnotes | | | |
| -- | 49612 | O-RING KIT (ORFS FITTINGS) | | 1: | Hose End - Female, Swivel, ORFS (Parker No. 1JC43-6), Hose End - Female, Swivel, ORFS (Parker No. 1JC43-6) and Hose, 3/8 inch (Parker No. 451TC-6) | | |
| -- | 49613 | PLUG AND CAP KIT-SERVICE,ORFS* | | 2: | Hose End - Female, Swivel, ORFS (Parker No. 1JC43-6), Hose End - Female, Swivel, 90°, ORFS (Parker No. 1J943-6) and Hose, 3/8 inch (Parker No. 381-6) | | |
| 1 | 49130-2357 | HOSE ASSEMBLY,3/8"..... | 4 | 3: | Hose End - Female, Swivel, ORFS (Parker No. 1JC43-6), Hose End - Female, Swivel, 90°, Med., ORFS (Parker No. 1J543-6) and Hose, 3/8 inch (Parker No. 451TC-6) | | |
| | | 1 | | 4: | Hose End - Female, Swivel, ORFS (Parker No. 1JC43-4), Hose End - Female, Swivel, 90°, ORFS (Parker No. 1J943-4) and Hose, 1/4 inch (Parker No. 451TC-4) | | |
| 2 | 48896 | CONN,TEE,UNION,520401-6,ORFS.2 | | 5: | Hose End - Female, Swivel, ORFS (Parker No. 1JC43-8), Hose End - Female, Swivel, 45°, Long, ORFS (Parker No.1J743-8) and Hose, 1/2 inch (Parker No. 451TC-8) | | |
| 3 | 48916 | FITTING,CONN,520120-6..... | 10 | 6: | Hose End - Female, Swivel, ORFS (Parker No. 1JC43-8), Hose End - Female, Swivel, 90°, ORFS (Parker No. 1J943-8) and Hose, 1/2 inch (Parker No. 451TC-8) | | |
| 4 | 49104-10809 | HOSE ASSEMBLY,3/8"..... | 2 | 7: | Hose End - Female, Swivel, ORFS (Parker No. 1JC43-6), Hose End - Female, Swivel, 90°, Long, ORFS (Parker No. 1J143-6) and Hose, 3/8 inch (Parker No. 451TC-6) | | |
| | | 2 | | 8: | Hose End - Female, Swivel, ORFS (Parker No. 1JC43-6), Hose End - Female, Swivel, 90°, ORFS (Parker No. 1J943-6) and Hose, 3/8 inch (Parker No. 451TC-6) | | |
| 5 | 49125-5970 | HOSE ASSEMBLY,3/8"..... | 1 | | | | |
| | | 3 | | | | | |
| 6 | 48915 | ELBOW,90D,520220-6..... | 1 | | | | |
| 7 | 48935 | TEE,RUN,520428-8..... | 1 | | | | |
| 8 | 49117-7641 | HOSE ASSY,1/4,90 FEM,STR FEM..... | 1 | | | | |
| | | 4 | | | | | |
| 9 | 49141-6063-S | Hose Assembly - Components: @ 58 inches (147 cm)..... | 1 | | | | |
| | | 5 | | | | | |
| 10 | 49143-1204-S | Hose Assembly - Components: @ 10 inches (25 cm)..... | 1 | | | | |
| | | 6 | | | | | |
| 11 | 48930 | FITTING,CONN,520120-6-8*** | 1 | | | | |
| 12 | 48936 | TEE,BRANCH,520429-8..... | 1 | | | | |
| 13 | 48943 | FITTING,CONN,520120-8-6..... | 1 | | | | |
| 14 | 49124-1453-S | Hose Assembly - Components: @ 12 inches (31 cm)..... | 1 | | | | |
| | | 7 | | | | | |
| 15 | 49128-1109-S | Hose Assembly - Components: @ 9 inches (23 cm)..... | 1 | | | | |
| | | 8 | | | | | |
| -- | 33994 | PLUG AND CAP KIT-SERVICE,37°** | | | | | |

401.1 Ford LRG-425 EFI Engine - View 1



401.1 Ford LRG-425 EFI Engine - View 1

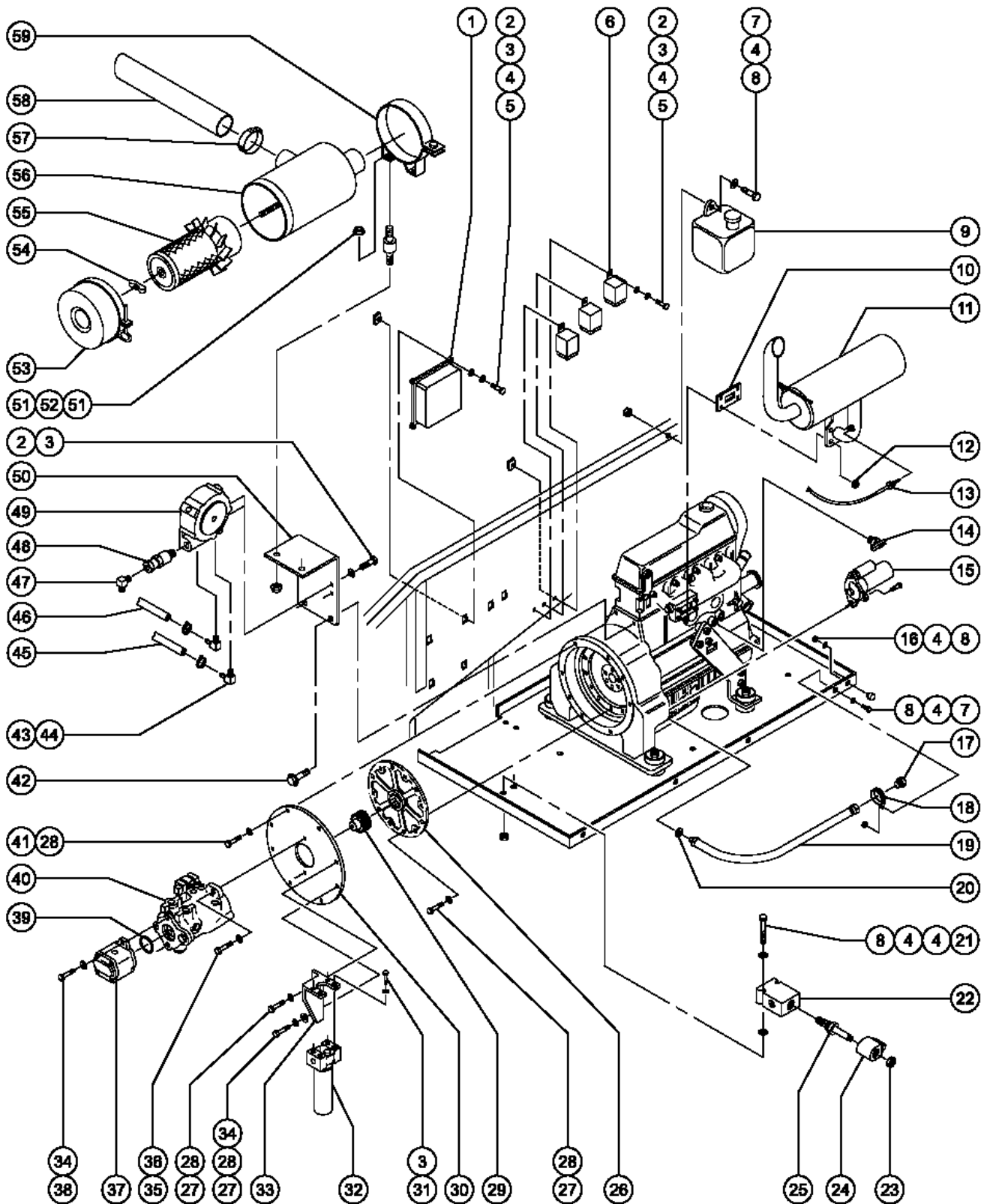
| Item | Part No. | Description | Qty. | Item | Part No. | Description | Qty. |
|------|----------|---|------|------|----------|---|------|
| 1 | 6889 | NUT,LP NYLOCK,1/4-20..... | 2 | -- | 52656 | FUEL INJECTOR, LRG-425 EFI..... | 4 |
| 2 | 27010 | VALVE,LOCK OFF,BEAM #FL-418..... | 1 | 27 | 52566 | DIPSTICK, OIL LEVEL,LRG425 EFI..... | 1 |
| 3 | 27507 | THREADED ROD,1/4-20,4.5"..... | 1 | 28 | 30810 | SENDING UNIT,OIL PRESSURE*** | 1 |
| 4 | 24552 | VENTURI,BEAM (FORD) ***..... | 1 | 29 | 34058 | SENDING UNIT,TMP,FRD,GM,PRK704..... | 1 |
| 5 | 46131 | CLAMP,HOSE,.63..... | 2 | 30 | 52652 | SENSOR,AIR TEMP,LRG-425 EFI*** | 1 |
| 6 | 53832 | HOSE,FIRE RES.,5/8 ID,BULK | | 31 | 28656 | FILTER,OIL,FORD..... | 1 |
| 7 | 53125 | HOSE,AIR INTAKE 2.5 ID X 6.5..... | 1 | 32 | 33957 | VALVE,PCV-FORD LRG***..... | 1 |
| 8 | 45435 | CLAMP,HOSE,2.50"*** | 2 | 33 | 8915 | SCREW,HHC,1/4-20 X 1.25..... | 3 |
| 9 | 65455 | GASKET-VENTURI BEAM (FORD)..... | 1 | 34 | 6638 | WASHER,FLAT,USS,1/4"Y..... | 3 |
| 10 | 48471 | ADAPTER,LP VENTURI..... | 1 | 35 | 6091 | NUT,NYLOCK,1/4-20..... | 3 |
| 11 | 48477 | GASKET,LP ADAPTER..... | 1 | 36A | 81941 | FUEL PUMP RELOCATION KIT..... | 1 |
| 12 | 49386 | SCREW,HHC,M8 X 40..... | 2 | 36B | 77219 | PUMP, FUEL, LRG425, WALBRO.... | 1 |
| 13 | 94922 | KIT,FORD EFI UPDATE,BASE*** | 1 | 37 | 25929 | SCREW,HHC,M8 X 30MM,GRD 8.8..... | 1 |
| 14 | 52577 | GASKET - THROTTLE BODY, 425EFI..... | 1 | 38 | 65453 | BRACKET-FUEL FILTER (52567).... | 1 |
| 15 | 88455 | ADAPTER,THROTTLE ACTUATOR*** | 1 | 39 | 58967 | FUEL PRESSURE REG,425EFI*** | 1 |
| 16 | 52579 | GASKET,ADAPTER PLATE,425EFI*** | 1 | 40 | 58900 | SENSOR,CAM,EFI*** | 1 |
| 17 | 27507 | THREADED ROD,1/4-20,4.5"..... | 1 | 41 | 33968 | SENSOR, CRANK POSITION..... | 1 |
| 18 | 63258 | ACTUATOR, FORD EFI PRECISION..... | 1 | 42 | 52580 | BELT,SERPENTINE,LRG425 EFI*** | 1 |
| 19 | 23057 | SCREW,HHC,M8 X 20MM..... | 2 | -- | 65770 | BELT,TIMING,FORD LRG423/425EFI..... | 1 |
| 20 | 49408 | WASHER,LOCK,M8..... | 7 | 43 | 52078 | PULLEY,FORD ENGINE,LRG-423*** | 1 |
| 21 | 49817 | SCREW,PHILLIPS,PHM,10-32 X1.25..... | 2 | 44 | 52077 | SPACER,FAN TO WATERPUMP LRG423..... | 1 |
| 22 | 6178 | NUT,NYLOCK,10-32..... | 6 | 45 | 52076 | FAN, LSG423/LRG425..... | 1 |
| 23 | 49898 | MAP SENSOR, EFI..... | 1 | 46 | 32309 | SCREW,HHC,M8 X 60MM X 1.25.... | 4 |
| 24 | 53821P | BRACKET,MAP SENSOR,PAINTED..... | 1 | 47 | 33963 | PUMP, WATER, WITH GASKET..... | 1 |
| 25 | 52570 | SPARK PLUG WIRE SET, LRG425EFI..... | 1 | 48 | 33964 | GASKET, WATER PUMP..... | 1 |
| 26 | 28647 | SPARK PLUG,FORD..... | 4 | 49 | 33960 | ALTERNATOR,LRG-423 RE-BUILT* | 1 |
| | | | | 50 | 65454 | BOLT-FLANGE,M6 X 22MM(52573)..... | 2 |
| | | | | 51 | 52573 | THERMOSTAT HOUSING, LRG425 EFI..... | 1 |
| | | | | 52 | 36208 | CLAMP,HOSE,1.25*** | 1 |

401.1 Ford LRG-425 EFI Engine - View 1
(continued)

| Item | Part No. | Description | Qty. |
|------|----------|--|------|
| 53 | 52762 | HOSE,WATER INLET,LRG425 EFI..... | 1 |
| 54 | 22672 | CLAMP,HOSE,1.75..... | 1 |
| 55 | 33965 | HOSE, UPPER RADIATOR..... | 1 |
| 56 | 33972 | SENSOR,COOLANT TEMP*..... | 1 |
| 57 | 65456 | SENDING UNIT-H20TMP LRG425EFI*..... | 1 |
| 58 | 33966 | THERMOSTAT, FORD LRG..... | 1 |
| 59 | 52575 | GASKET,THERM.HSNG O-RING.... | 1 |
| 60 | 49881 | OIL FILLER CAP FOR LRG ENGINE..... | 1 |
| 61 | 33970 | COIL, ELECTRONIC IGN., FORD... | 1 |
| 62 | 30469 | SCREW,FHM,10-32 X 1.5..... | 4 |

This Page Intentionally Left Blank

402.1 Ford LRG-425 EFI Engine - View 2



402.1 Ford LRG-425 EFI Engine - View 2

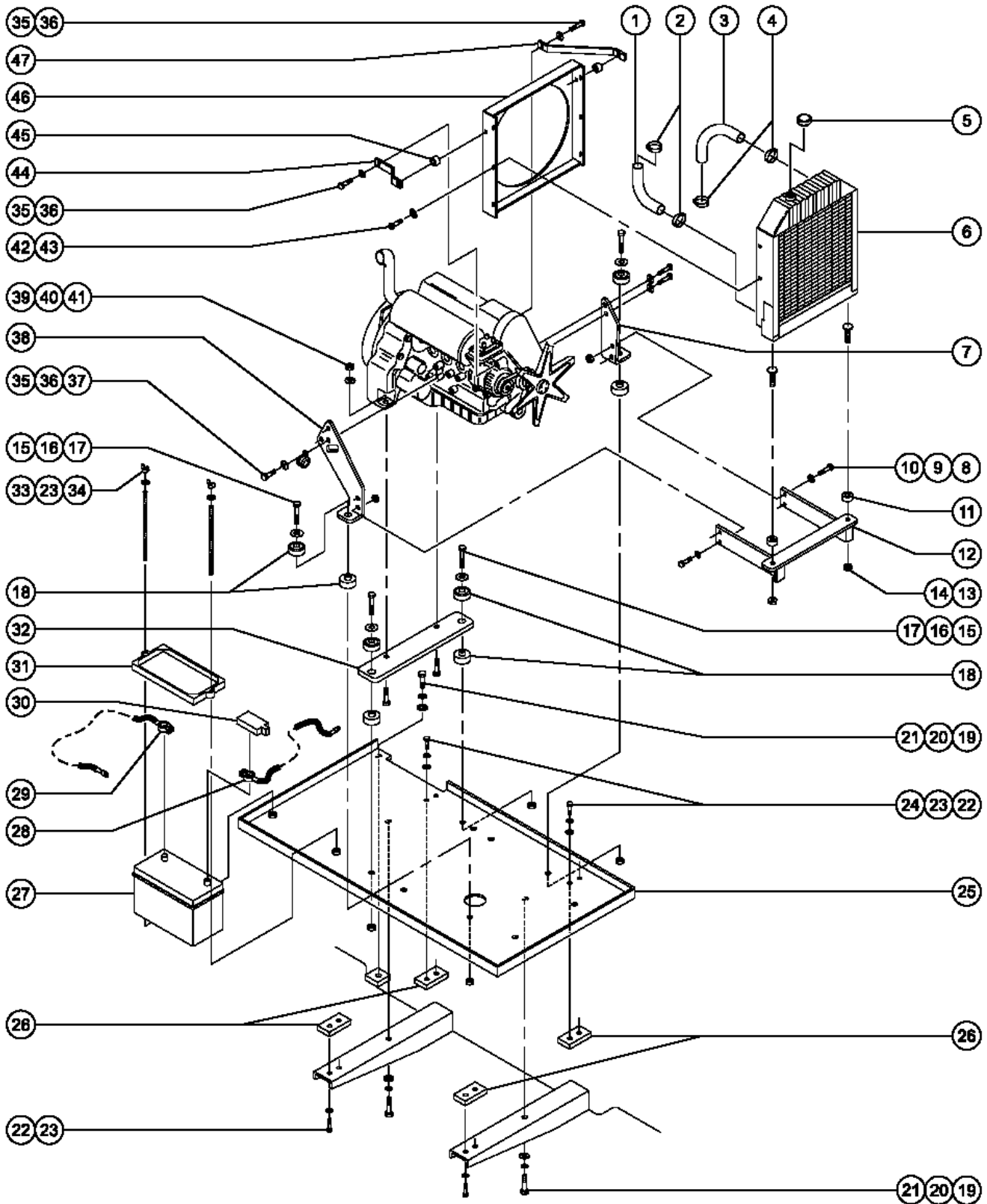
| Item | Part No. | Description | Qty. | Item | Part No. | Description | Qty. |
|------|----------|--|------|------|----------|---|------|
| 1 | 94922 | KIT,FORD EFI UPDATE,BASE***.....1 <i>from SN 3341</i> | 1 | 29 | 37002 | COUPLER,HUB,15 TOOTH 7/16BOLT*..... | 1 |
| -- | 94922 | KIT,FORD EFI UPDATE,BASE***.....1 <i>to SN 3340</i> | 1 | 30 | 25571P-S | PLATE,PUMP MOUNT,FORD,PAINTED..... | 1 |
| 2 | 6888 | SCREW,HHC,1/4-20 X 1..... | 9 | 31 | 7339 | SCREW,HHC,1/4-20 X .5..... | 4 |
| 3 | 6356 | WASHER,LOCK,.25..... | 13 | 32 | 77139 | FILTER ASY,M PRESS,SAE8,WOIND*..... | 1 |
| 4 | 6638 | WASHER,FLAT,USS,1/4"Y..... | 14 | | | <i>from SN 6091</i> | |
| 5 | 56912 | SPRING CLIP,1/4-20,MAGNI 565..... | 7 | -- | 20880 | FILTER ELEMENT-10 MIC.***.....1 <i>component of filter assy p/n 20879 (no longer sold); to SN 6090</i> | 1 |
| 6 | 52592 | RELAY - LRG425 EFI..... | 3 | -- | 60857 | FILTER,ELEMENT,BETA(5)=1000 <i>component of filter assy p/n 77139; from SN 6091</i> | 1 |
| 7 | 8915 | SCREW,HHC,1/4-20 X 1.25..... | 2 | 33 | 30230P-S | FILTER MOUNT BRACKET..... | 1 |
| 8 | 6091 | NUT,NYLOCK,1/4-20..... | 5 | 34 | 6097 | WASHER,FLAT,USS,3/8",Y..... | 3 |
| 9 | 54071 | COOLANT RETURN SYSTEM,Z45***..... | 1 | 35 | 8177 | SCREW,HHC,1/2-13 X 1.5..... | 2 |
| | | <i>includes cap</i> | | 36 | 6033 | WASHER,LOCK,0.5"..... | 2 |
| 10 | 27142 | GASKET,EXHAUST..... | 1 | 37 | 53959 | PUMP,LIFT 1.403 C.I.***..... | 1 |
| 11 | 77885 | MUFFLER,FORD LRG S40-60-80***..... | 1 | -- | 58228 | SEAL KIT***..... | 1 |
| 12 | 35818 | NUT,EXHAUST MANIFOLD-FORD,LRG..... | 4 | 38 | 33988 | SCREW,SHC,3/8-16 X 1..... | 2 |
| 13 | 52564 | SENSOR,O2,LRG 425 EFI***..... | 1 | 39 | 29436 | O-RING***..... | 1 |
| 14 | 28717 | VALVE,DRAIN,FORD,BLOCK,RAD..1 | 1 | 40 | 53964 | PUMP ASSY, M46+1.0 CU IN LIFT*..... | 1 |
| 15 | 29616 | STARTER,ENGINE,FORD LSG/LRG***..... | 1 | | | <i>includes 2 each index number 34 and index numbers 37 through 39</i> | |
| 16 | 34619 | BUMPER,RUBBER***..... | 1 | -- | 22965 | EDC ASSY,SAUER,M46***..... | 1 |
| 17 | 63426 | PLUG,070109-8..... | 1 | -- | 27067 | SEAL,SHAFT-SUNDSTRAND***..... | 1 |
| 18 | 21618 | CLAMP,1.13,#18 X 1/4,RUB CUSH..... | 1 | -- | 29739 | SEAL KIT,SAUER-DANFOSS M46***..... | 1 |
| 19 | 63427 | HOSE ASSY,FORD OIL DRAIN 1/2" | 1 | -- | 32611 | SHAFT,M46 15 TOOTH..... | 1 |
| 20 | 53910 | GASKET, FORD OIL DRAIN..... | 1 | -- | 46674 | PUMP,VAR.PISTON M46 2.8 CIQVP*..... | 1 |
| 21 | 4266 | SCREW,HHC,1/4-20 X 2..... | 2 | 41 | 6175 | SCREW,HHC,3/8-16 X 1..... | 8 |
| 22 | 30369 | SOLENOID VALVE,N.C. 2POS. 3WAY..... | 1 | 42 | 53024 | SCR,M 10X40 LG HEX FLG. SERR..... | 2 |
| | | <i>includes index numbers 23 through 25</i> | | 43 | 37017 | HOSE END,90DEG,.63 HS X.25 MPT..... | 2 |
| 23 | 45912 | NUT,SOLENOID,2POS 3WAY..... | 2 | 44 | 46131 | CLAMP,HOSE,.63..... | 2 |
| 24 | 27814 | COIL,SOLENOID,10V..... | 2 | 45 | 52762 | HOSE,WATER INLET,LRG425 EFI..... | 1 |
| 25 | 29066 | VALVE,SOLENOID,10V,2POS 3WAY**..... | 2 | 46 | 53832 | HOSE,FIRE RES.,5/8 ID,BULK | 1 |
| | | <i>includes index numbers 23 and 24</i> | | 47 | 36203 | ELBOW,90DEG.3/8MPT-5/8 BARB..... | 1 |
| 26 | 33024 | FLYWHEEL FLANGE,GREEN PLASTIC..... | 1 | | | | |
| 27 | 6019 | SCREW,HHC,3/8-16 X 1.25 GRD 5..... | 10 | | | | |
| 28 | 6021 | WASHER,LOCK,.375..... | 20 | | | | |

402.1 Ford LRG-425 EFI Engine - View 2
(continued)

| Item | Part No. | Description | Qty. |
|------|----------|---|------|
| 48 | 27010 | VALVE,LOCK OFF,BEAM #FL-418..... | 1 |
| 49 | 22279 | REGULATOR,LPG BEAM 60***..... | 1 |
| -- | 24470 | REGULATOR DIAPH.KIT BEAM 50/60..... | 1 |
| 50 | 48473P-S | BRACKET,AIR FILTER,FORD GAS PT..... | 1 |
| 51 | 18503 | NUT,LOCKING-LG.FLANGE,5/16-18.4 | |
| 52 | 48498 | ISOLATOR,AIR FILTER MOUNT..... | 2 |
| 53 | 58917 | END CAP,AIR FILTER-27915&49740..... | 1 |
| 54 | 52658 | NUT - WING, AIR FILTER, 425EFI..... | 1 |
| 55 | 27916 | FILTER,AIR,ELEMENT***..... | 1 |
| 56 | 49740 | AIR CLEANER,FORD EFI***..... <i>includes index numbers 53 through 55</i> | 1 |
| -- | 49740 | AIR CLEANER,FORD EFI***..... | 1 |
| 57 | 30971 | CLAMP,HOSE,3.00"..... | 1 |
| 58 | 53124 | HOSE,AIR INT.2.5 IDX12" W/450.... | 1 |
| 59 | 77296 | MOUNTING BAND,NOLFF AIRCLEAR*..... | 1 |

This Page Intentionally Left Blank

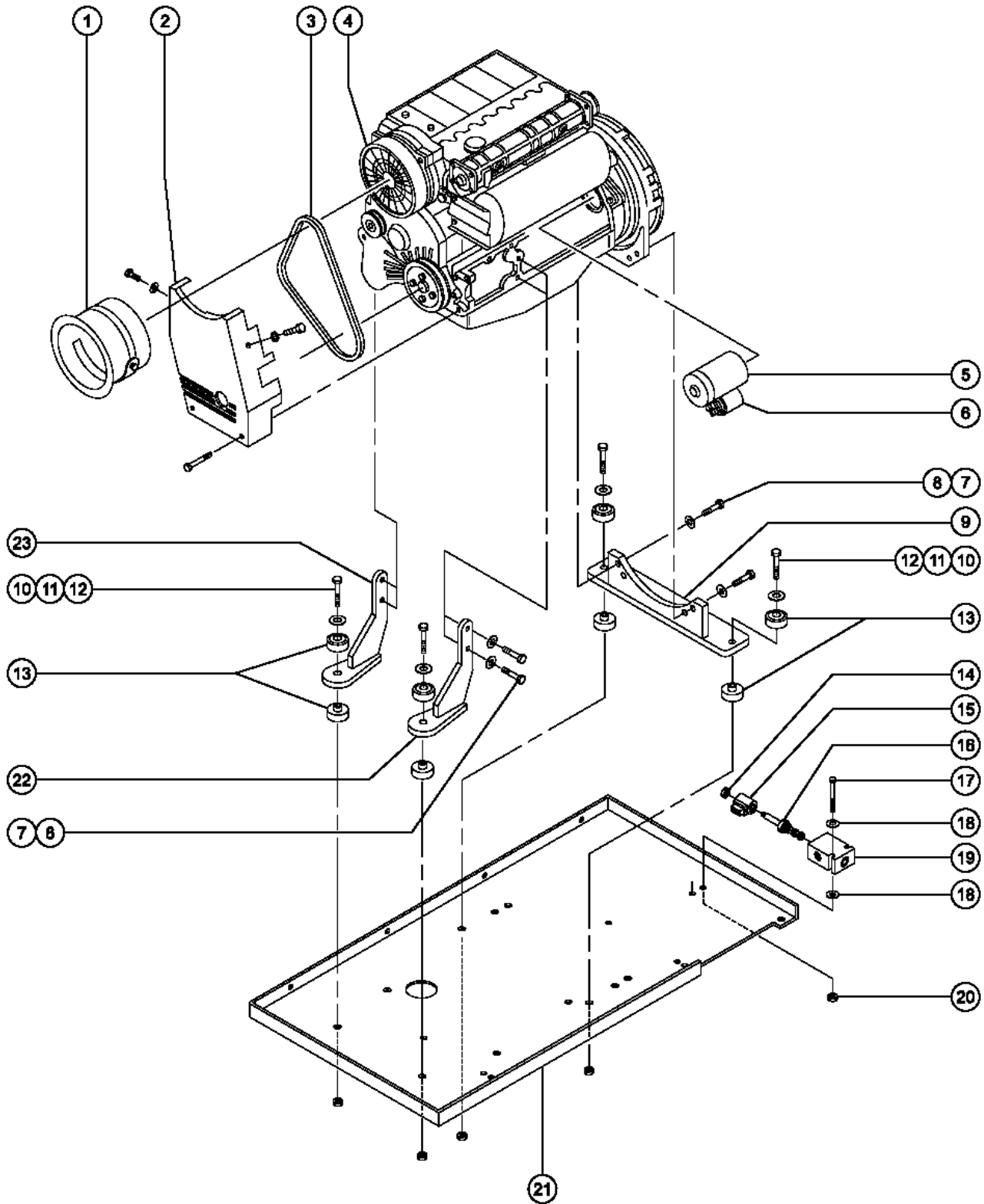
403.1 Ford LRG-425 EFI Engine - View 3



403.1 Ford LRG-425 EFI Engine - View 3

| Item | Part No. | Description | Qty. | Item | Part No. | Description | Qty. |
|------|----------|--------------------------------------|------|------|-----------|--------------------------------------|------|
| 1 | 77170 | HOSE,LOWER RADIATOR,Z45.....1 | | 32 | 28234P-S | PLATE,ENGINE MOUNT,PAINTED.....1 | |
| 2 | 13014 | CLAMP,HOSE,2.25" DIA.....2 | | 33 | 8170 | NUT,WING,1/4-20.....2 | |
| 3 | 33965 | HOSE, UPPER RADIATOR.....1 | | 34 | 30784-975 | THREADED ROD,(1/4-20),9.75.....2 | |
| 4 | 45171 | CLAMP,HOSE,1.75,LINED.....2 | | 35 | 27034 | SCREW,HHC,M10 X 25MM,GR 8.8.....7 | |
| 5 | 27943 | CAP,RADIATOR,FORD***1 | | 36 | 22700 | WASHER,LOCK,M10.....7 | |
| 6 | 33969 | RADIATOR,FORD,LRG.....1 | | 37 | 32339 | CLAMP,1.75,#28 X 3/8,RUB CUSH*.....2 | |
| -- | 28717 | VALVE,DRAIN,FORD,BLOCK,RAD..1 | | 38 | 53290-S | WELDMENT,RH,ENGINE MOUNT.....1 | |
| 7 | 53425-S | WELDMENT,RH,ENGINE MOUNT.....1 | | 39 | 6198 | NUT,NYLOCK,1/2-13.....2 | |
| 8 | 8516 | SCREW,HHC,3/8-16 X 1.50.....4 | | 40 | 6095 | WASHER,FLAT,USS,1/2",Y.....2 | |
| 9 | 6097 | WASHER,FLAT,USS,3/8",Y.....4 | | 41 | 10598 | SCREW,HHC,1/2-13 X 3.....2 | |
| 10 | 4828 | NUT,NYLOCK,3/8-16.....4 | | 42 | 73612 | SCREW,PHM,10-24X.50,SELF TAP.....6 | |
| 11 | 24038 | SHOCK MOUNT,SMALL.....2 | | 43 | 73613 | WASHER,STAR,#10,PLTD.....6 | |
| 12 | 34929-S | WELDMENT,RADIATOR MOUNT LRG423.....1 | | 44 | 34942P-S | STRUT,RH,FORD RADIATOR,PAINT.....1 | |
| 13 | 48425 | NUT,LOCKING-LRG.FLANGE,3/8-16.2 | | 45 | 48498 | ISOLATOR,AIR FILTER MOUNT.....2 | |
| 14 | 60790 | BOLT,CARRIAGE,3/8-16 X1.50,G5.....2 | | 46 | 34927P-S | SHROUD,RADIATOR LRG 423 BLUE.....1 | |
| 15 | 53909 | SCREW,HHC,5/8-11 X 4.0 GR8.....4 | | 47 | 34943P-S | MOUNT,RAD.SUPPT,LH,BLUE.....1 | |
| 16 | 6035 | WASHER,FLAT,USS,5/8",Y.....4 | | | | | |
| 17 | 6024 | NUT,NYLOCK,5/8-11.....4 | | | | | |
| 18 | 28076 | ISOLATOR,VIBRATION,LG,RD&WH***.4 | | | | | |
| 19 | 29883 | SCREW,HHC,5/8-11 X 1.75 GRD.8.....3 | | | | | |
| 20 | 6036 | WASHER,LOCK,.625 PLTD.....2 | | | | | |
| 21 | 13064 | WASHER,FLAT,.625 HARDENED...3 | | | | | |
| 22 | 6090 | SCREW,HHC,1/4-20 X .7.....8 | | | | | |
| 23 | 6356 | WASHER,LOCK,.25.....8 | | | | | |
| 24 | 6638 | WASHER,FLAT,USS,1/4"Y.....10 | | | | | |
| 25 | 30679-S | WELDMENT, ENGINE MODULE PLATE.....1 | | | | | |
| -- | 45209 | WEAR PAD,4X2X.5 W/INSERT***4 | | | | | |
| 27 | 30143 | BATTERY,12V,1000 CCA GRP 31.....1 | | | | | |
| 28 | 30891 | BATT.CABLE,00,POS.,RED,50".....1 | | | | | |
| 29 | 122058 | BATTERY CABLE,1/0 GA,BLK 30".....1 | | | | | |
| 30 | 18189 | BOOT,BATTERY TERMINAL,RED.....1 | | | | | |
| 31 | 30144 | BATTERY HOLD DOWN,GROUP 31.....1 | | | | | |

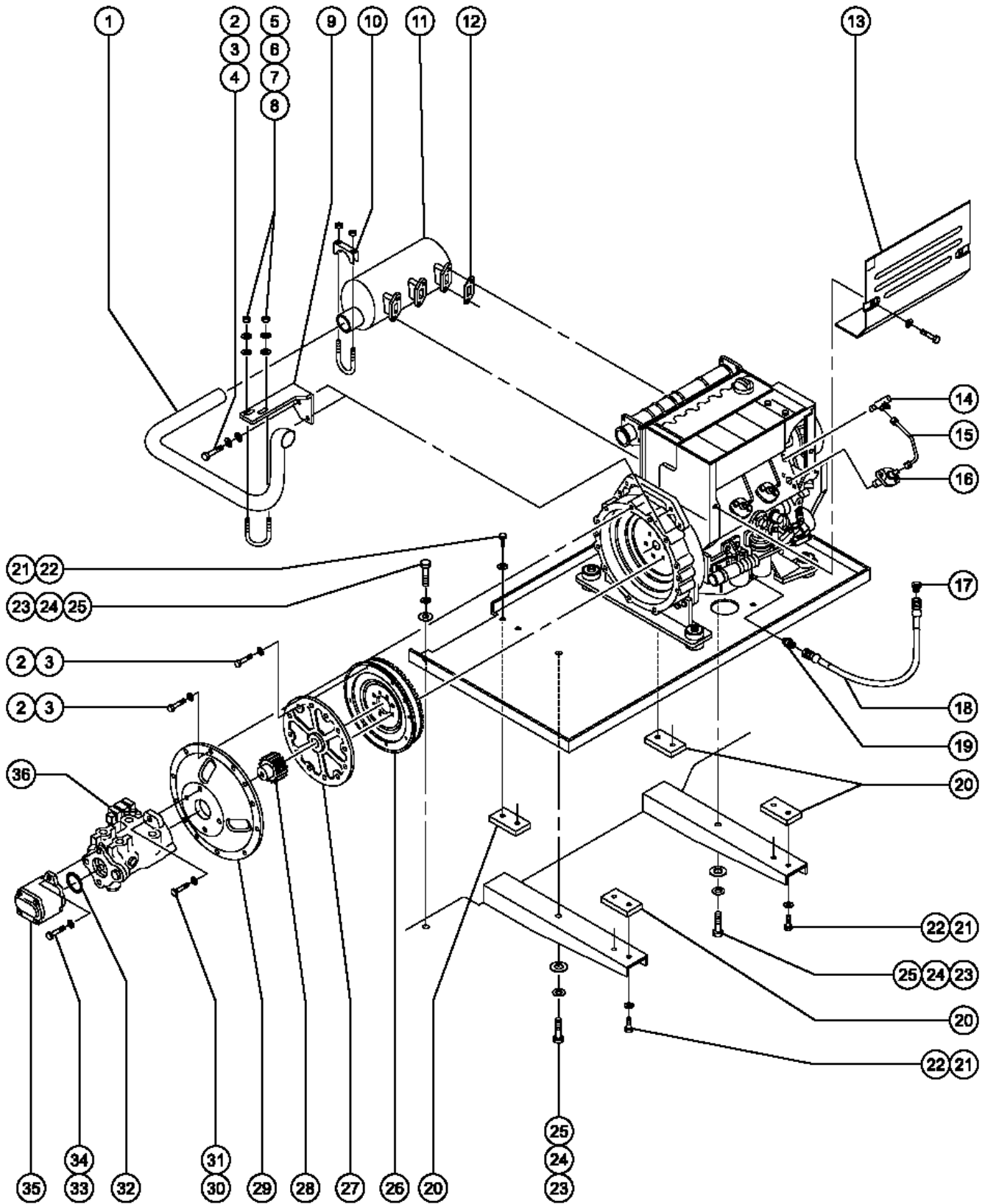
404.1 Deutz F3L 1011F Engine - View 1



404.1 Deutz F3L 1011F Engine - View 1

| Item | Part No. | Description | Qty. | Item | Part No. | Description | Qty. |
|------|----------|--|------|------|----------|-------------------------------------|------|
| 1 | 49914 | GUARD-FAN, DEUTZ ENG,F4L1011F..... | 1 | 22 | 32748 | WELMENT,DEUTZ ENGINE MOUNT..... | 1 |
| 2 | 29555 | COVER,FRONT DEUTZ ENGINE.... | 1 | 23 | 32749 | WELDMENT,DEUTZ ENGINE MOUNT..... | 1 |
| 3 | 32698 | BELT,V, DEUTZ DIESEL ENGINE.... | 1 | | | | |
| 4 | 35586 | ALTERNATOR, DEUTZ F3L10/F4L10*..... | 1 | | | | |
| 5 | 37950 | STARTER,DEUTZ,F4L1011F/F3L1011.1 <i>includes index number 6</i> | | | | | |
| 6 | 49915 | SOLENOID-STARTR DEUTZF4L1011F*..... | 1 | | | | |
| 7 | 34265 | SCREW,HHC,M14 X 55..... | 8 | | | | |
| 8 | 37505 | WASHER,LOCK,M14..... | 8 | | | | |
| 9 | 29550 | WELDMENT,DEUTZ ENGINE MOUNT..... | 1 | | | | |
| 10 | 53909 | SCREW,HHC,5/8-11 X 4.0 GR8..... | 4 | | | | |
| 11 | 33418 | WASHER,FLAT,.625 X 2.25 X.15..... | 4 | | | | |
| 12 | 6024 | NUT,NYLOCK,5/8-11..... | 4 | | | | |
| 13 | 28076 | ISOLATOR,VIBRATION,LG,RD&WH***.4 | | | | | |
| 14 | 45912 | NUT,SOLENOID,2POS 3WAY..... | 1 | | | | |
| 15 | 81043 | COIL,SOLENOID,8 DSD 10V,W/DIO..... | 1 | | | | |
| | | <i>from SN 5642</i> | | | | | |
| -- | 27814 | COIL,SOLENOID,10V..... | 1 | | | | |
| | | <i>to SN 5641</i> | | | | | |
| 16 | 62249 | VALVE,SOLENOID,10V W/DIODE..... | 1 | | | | |
| | | <i>includes index numbers 14 and 15; from SN 5642</i> | | | | | |
| -- | 65766 | VALVE,SOLENOID,10V W/DIODE***..... | 1 | | | | |
| | | <i>includes index numbers 14 and 15; to SN 5641</i> | | | | | |
| 17 | 4266 | SCREW,HHC,1/4-20 X 2..... | 2 | | | | |
| 18 | 6638 | WASHER,FLAT,USS,1/4"Y..... | 4 | | | | |
| 19 | 30369 | SOLENOID VALVE,N.C. 2POS. 3WAY..... | 1 | | | | |
| | | <i>includes index numbers 14 and 15; to SN 5641</i> | | | | | |
| -- | 81196 | MANIFOLD,S40/45 BRAKE,NC 2POS..... | 1 | | | | |
| | | <i>includes index 14 through 16; from 5642</i> | | | | | |
| 20 | 6889 | NUT,LP NYLOCK,1/4-20..... | 2 | | | | |
| 21 | 30679-S | WELDMENT, ENGINE MODULE PLATE..... | 1 | | | | |

405.1 Deutz F3L 1011F Engine - View 2



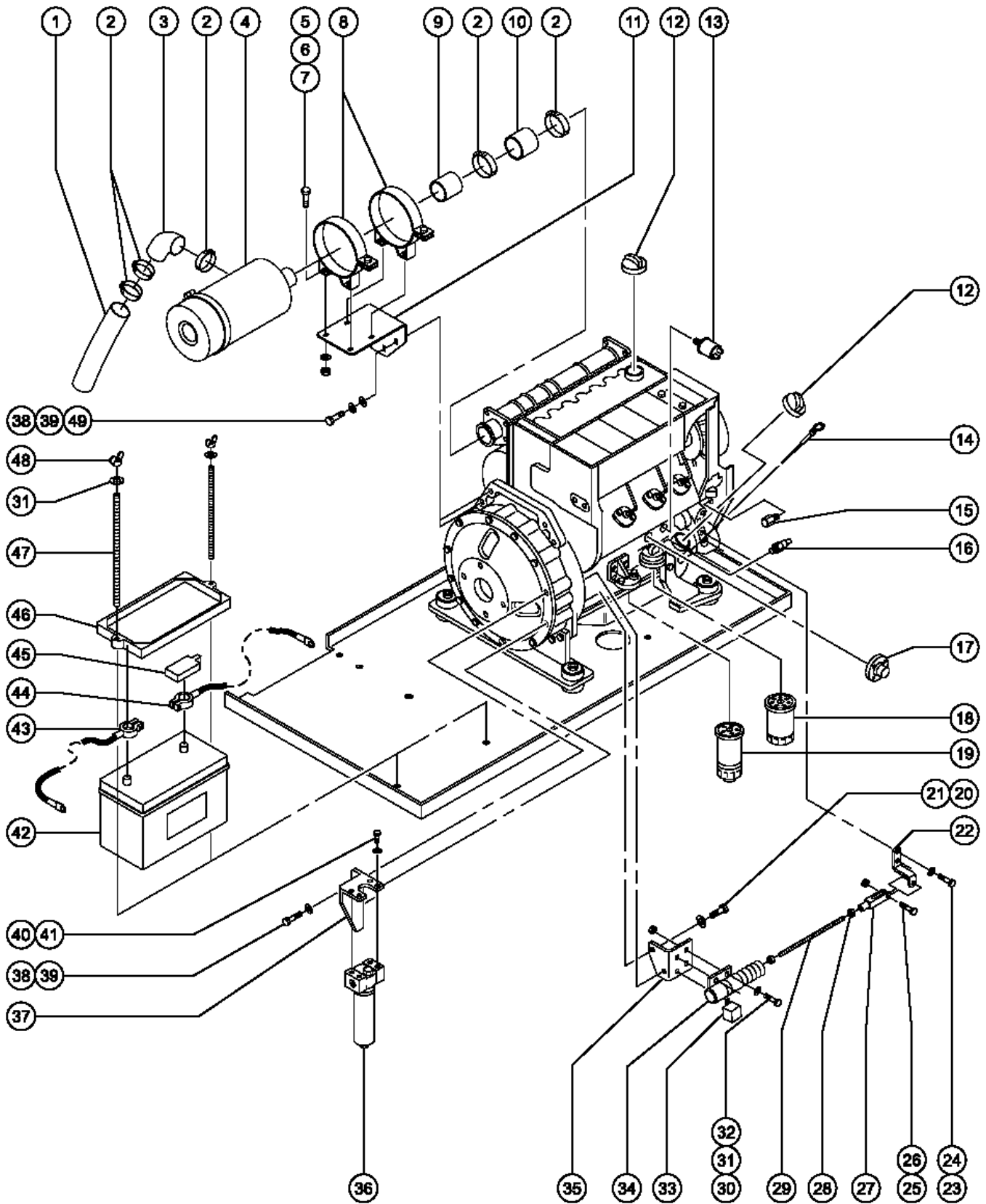
405.1 Deutz F3L 1011F Engine - View 2

| Item | Part No. | Description | Qty. | Item | Part No. | Description | Qty. |
|------|--------------|--|------|------|----------|---|------|
| 1 | 30660 | EXHAUST, TAILPIPE, DEUTZ, S40.... | 1 | 32 | 29436 | O-RING*** | 1 |
| 2 | 44064 | SCREW, HHC, M10 X 30MM, ARSE..... | 26 | 33 | 6175 | SCREW, HHC, 3/8-16 X 1..... | 2 |
| 3 | 22700 | WASHER, LOCK, M10..... | 26 | 34 | 6021 | WASHER, LOCK, .375..... | 2 |
| 4 | 6097 | WASHER, FLAT, USS, 3/8", Y..... | 16 | 35 | 53959 | PUMP, LIFT 1.403 C.I.*** | 1 |
| 5 | 6037 | NUT, HEX, 5/16-18..... | 2 | -- | 58228 | SEAL KIT*** | 1 |
| 6 | 6886 | WASHER, LOCK, .313..... | 2 | 36 | 53964 | PUMP ASSY, M46+1.0 CU IN LIFT* | 1 |
| 7 | 5397 | WASHER, FLAT, USS, 5/16", Y..... | 2 | | | <i>includes index numbers 32 through 35</i> | |
| 8 | 16584 | U-BOLT, KIT 5/16-18 X 2.5..... | 1 | -- | 22965 | EDC ASSY, SAUER, M46*** | 1 |
| | | <i>includes index number 5</i> | | -- | 27067 | SEAL, SHAFT-SUNDSTRAND*** | 1 |
| 9 | 30674-S | WELDMENT, EXHAUST SUPPORT | 1 | -- | 29739 | SEAL KIT, SAUER-DANFOSS M46*** | 1 |
| 10 | 30438 | CLAMP, MUFFLER, 2 1/4" ID..... | 2 | -- | 32611 | SHAFT, M46 15 TOOTH..... | 1 |
| 11 | 32695 | MUFFLER, DEUTZ..... | 1 | -- | 46674 | PUMP, VAR. PISTON M46 2.8 CIQVP* | 1 |
| 12 | 29559 | GASKET, EXHAUST..... | 3 | | | | |
| 13 | 52353 | COVER, ENGINE SIDE (F30-1011F)..... | 1 | | | | |
| 14 | 49919 | INJECTOR - DEUTZ F4L1011F..... | 3 | | | | |
| 15 | 49921 | FUEL LINE INJ. DEUTZ F4L1011F..... | 3 | | | | |
| 16 | 49929 | INJECTOR PUMP - DEUTZ F4L1011F..... | 3 | | | | |
| 17 | 109802 | PLUG, STEEL SOCKET, SAE090109B-6..... | 1 | | | | |
| 18 | 49135-3389-S | HOSE ASSY 3/8"..... | 1 | | | | |
| | | 1 | | | | | |
| 19 | 48884 | FITTING, M18 X 8, 52MO187..... | 1 | | | | |
| 20 | 45209 | WEAR PAD, 4X2X.5 W/INSERT*** | 4 | | | | |
| 21 | 6090 | SCREW, HHC, 1/4-20 X .7..... | 8 | | | | |
| 22 | 6356 | WASHER, LOCK, .25..... | 8 | | | | |
| 23 | 29883 | SCREW, HHC, 5/8-11 X 1.75 GRD.8..... | 4 | | | | |
| 24 | 6036 | WASHER, LOCK, .625 PLTD..... | 4 | | | | |
| 25 | 13064 | WASHER, FLAT, .625 HARDENED.... | 4 | | | | |
| 26 | 49917 | RING GEAR, DEUTZ F3 & F4L1011F..... | 1 | | | | |
| 27 | 33024 | FLYWHEEL FLANGE, GREEN PLASTIC..... | 1 | | | | |
| 28 | 37003 | COUPLER, HUB, 15 TOOTH 7/16BOLT* | 1 | | | | |
| 29 | 30806 | FLYWHEEL COVER, CASTING*** | 1 | | | | |
| 30 | 6096 | SCREW, HHC, 1/2-13 X 2 GR5..... | 2 | | | | |
| 31 | 6033 | WASHER, LOCK, 0.5" | 2 | | | | |

Footnotes

1: Hose End - Female, Swivel, ORFS (Parker No. 1JC43-6), Hose End - Female, Swivel, 90°, ORFS (Parker No. 1JC43-8-6) and Hose, 3/8 inch (Parker No. 451TC-6)

406.1 Deutz F3L 1011F Engine - View 3



406.1 Deutz F3L 1011F Engine - View 3

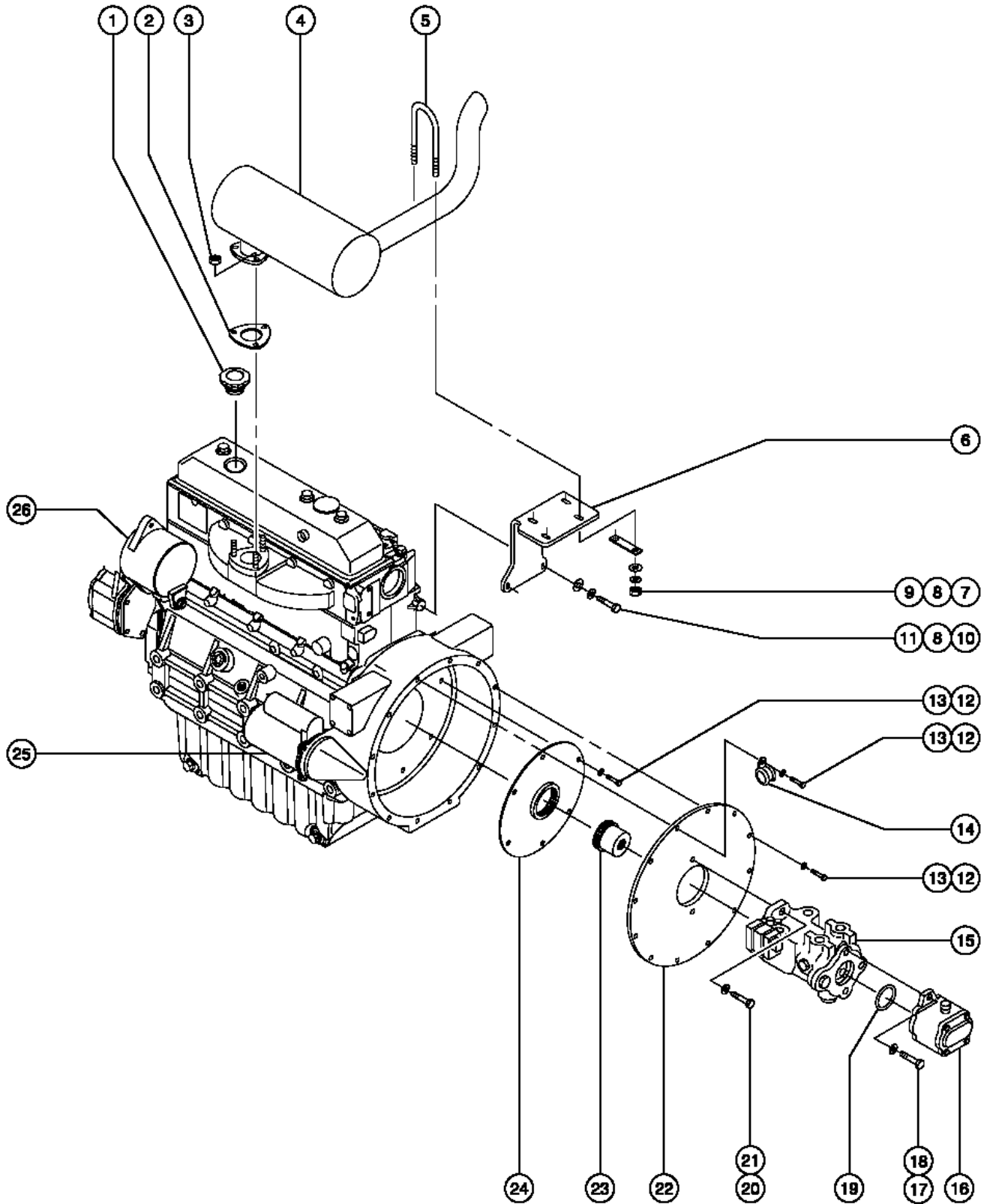
| Item | Part No. | Description | Qty. | Item | Part No. | Description | Qty. |
|------|------------|---|------|------|------------|---|------|
| 1 | 34162-3150 | HOSE,AIR INTAKE 2.5" I.D..... | 1 | 24 | 49407 | WASHER,LOCK,M6..... | 2 |
| 2 | 53945 | CLAMP,HOSE 2 5/16-3 1/4..... | 5 | 25 | 6584 | SCREW,SHS,10-24 X .625..... | 1 |
| 3 | 34164 | ELBOW,90 DEGR,RUBBER,2.5" I.D.*..... | 1 | 26 | 5365 | NUT,NYLOCK,10-24..... | 1 |
| 4 | 27915 | AIR CLEANER..... <i>does NOT include mounting bands</i> | 1 | 27 | 21130 | CLEVIS YOKE-1/4-28,PLTD W/PIN..... | 1 |
| -- | 27916 | FILTER,AIR,ELEMENT***..... | 1 | 28 | 21496 | NUT,HEX,1/4-28..... | 2 |
| -- | 52658 | NUT - WING, AIR FILTER, 425EFI..... | 1 | 29 | 30785-1000 | THREADED ROD,1/4-28 X 10 IN***..... | 1 |
| -- | 58917 | END CAP,AIR FILTER-27915&49740..... | 1 | 30 | 6090 | SCREW,HHC,1/4-20 X .7..... | 4 |
| -- | 77296 | MOUNTING BAND,NOLFF AIRCLEAR* | 1 | 31 | 6638 | WASHER,FLAT,USS,1/4"Y..... | 6 |
| 5 | 13002 | SCREW,HHC,5/16-18 X 1 GR5..... | 4 | 32 | 6889 | NUT,LP NYLOCK,1/4-20..... | 4 |
| 6 | 5397 | WASHER,FLAT,USS,5/16",Y..... | 4 | 33 | 60521 | RELAY,SEALED 30/40 AMP..... <i>from SN 5629</i> | 1 |
| 7 | 6002 | NUT,LP NYLOCK,5/16-18..... | 4 | -- | 73993 | HARNES, RPM SOLENOID RELAY..... | 1 |
| 8 | 77296 | MOUNTING BAND,NOLFF AIRCLEAR*..... | 2 | 34 | 29073 | SOLENOID,THROTTLE,..... | 1 |
| 9 | 30966 | HOSE,AIR INTAKE 2.25" I.D..... | 1 | -- | 52537 | BOOT,SOLENOID,29073..... | 1 |
| 10 | 30967 | HOSE,AIR INTAKE 2.75" I.D..... | 1 | 35 | 33241P-S | BRACKET,SOLENOID MTG,PAINTED..... | 1 |
| 11 | 30769P-S | BRACKET,AIR CLEANER MTG.PAINT..... | 1 | 36 | 77139 | FILTER ASY,M PRESS,SAE8,WOIND*..... | 1 |
| 12 | 29557 | CAP,OIL FILLER,DEUTZ,DIESEL***..... | 2 | -- | 20880 | FILTER ELEMENT-10 MIC.***..... | 1 |
| 13 | 29565 | SWITCH,OIL PRESSURE..... | 1 | 37 | 30230P-S | FILTER MOUNT BRACKET..... <i>to SN 5384</i> | 1 |
| -- | 30805 | SENDING UNIT,OIL PRESS.,DEUTZ..... <i>dual terminal</i> | 1 | -- | 73840P | BRACKET,HYDRAULIC FILTER PNT..... <i>from SN 5385</i> | 1 |
| 14 | 52352 | DIPSTICK-F3L1011F (DEUTZ)..... | 1 | 38 | 44064 | SCREW,HHC,M10 X 30MM,ARSE..... | 4 |
| 15 | 32752 | SOLENOID,FUEL SHUT OFF SWITCH*..... | 1 | 39 | 22700 | WASHER,LOCK,M10..... | 4 |
| -- | 72255 | CONNECTOR, DEUTZ FUEL SHUTOFF..... | 1 | 40 | 8914 | SCREW,HHC,1/4-20 X .625..... <i>to SN 5384</i> | 4 |
| 16 | 34059 | SENDING UNIT,OIL TEMP..... | 1 | -- | 6090 | SCREW,HHC,1/4-20 X .7..... <i>from SN 5385</i> | 4 |
| 17 | 49923 | PUMP, FUEL LIFT, F4L1011F..... | 1 | 41 | 6356 | WASHER,LOCK,.25..... | 4 |
| 18 | 49924 | FILTER,OIL,DEUTZ F4L1011F..... | 1 | 42 | 30143 | BATTERY,12V,1000 CCA GRP 31..... | 1 |
| 19 | 29560 | FILTER,FUEL/WTR SEP, DTZ 1008..... | 1 | 43 | 122058 | BATTERY CABLE,1/0 GA,BLK 30"..... | 1 |
| 20 | 23057 | SCREW,HHC,M8 X 20MM..... | 2 | 44 | 30891 | BATT.CABLE,00,POS.,RED,50"..... | 1 |
| 21 | 49408 | WASHER,LOCK,M8..... | 2 | 45 | 18189 | BOOT,BATTERY TERMINAL,RED..... | 1 |
| 22 | 33240P-S | BRACKET,ACTUATOR ARM MTG,PTD..... | 1 | 46 | 30144 | BATTERY HOLD DOWN,GROUP 31..... | 1 |
| 23 | 22578 | SCREW,HHC,M6 X 20MM,GR8.8.... | 2 | | | | |

406.1 Deutz F3L 1011F Engine - View 3
(continued)

| Item | Part No. | Description | Qty. |
|------|-----------|----------------------------------|------|
| 47 | 30784-975 | THREADED ROD,(1/4-20),9.75.....2 | |
| 48 | 8170 | NUT,WING,1/4-20.....2 | |
| 49 | 6097 | WASHER,FLAT,USS,3/8",Y.....2 | |

This Page Intentionally Left Blank

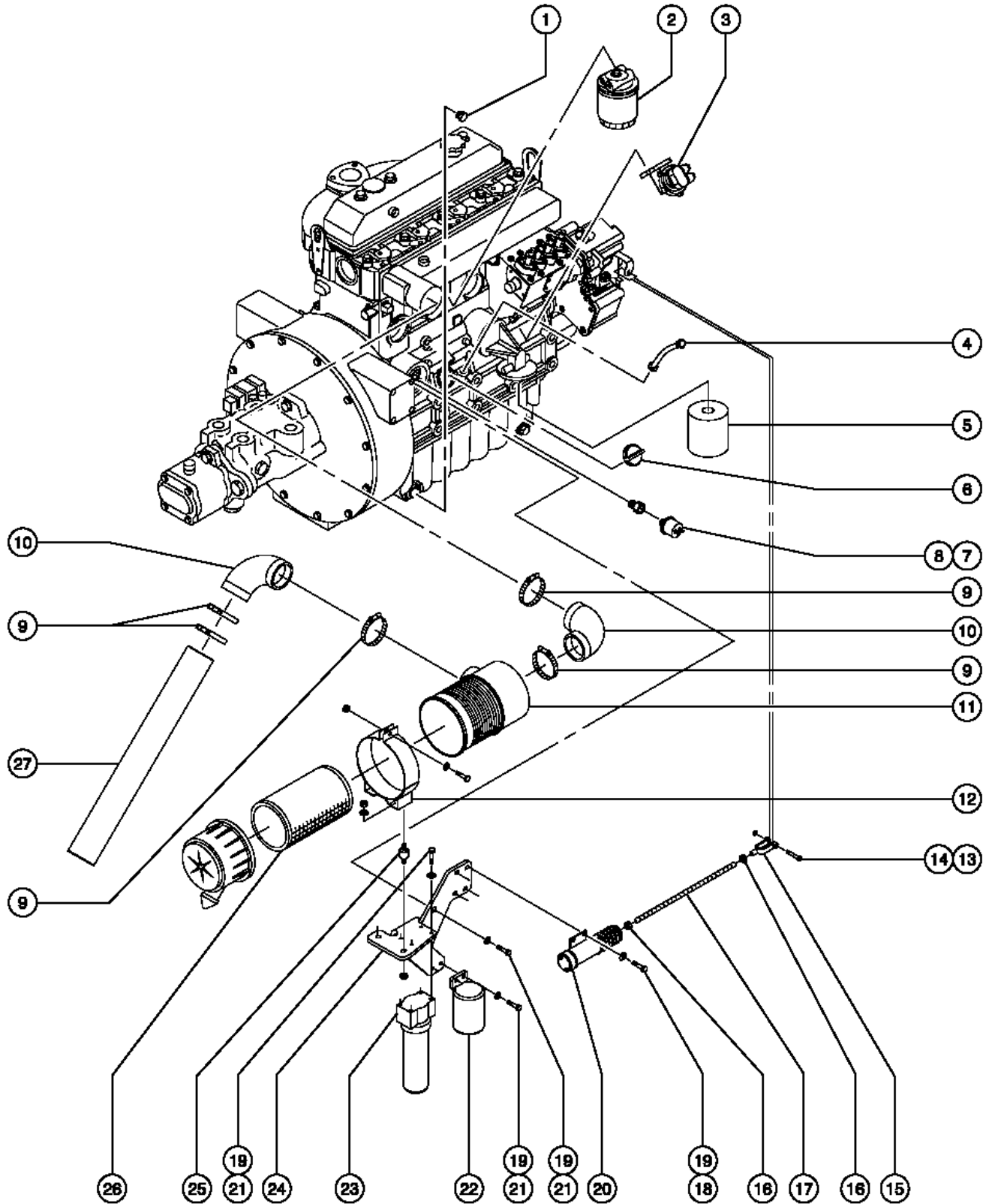
407.1 Perkins 704-30 Engine - View 1



407.1 Perkins 704-30 Engine - View 1

| Item | Part No. | Description | Qty. | Item | Part No. | Description | Qty. |
|------|----------|---|------|------|----------|---------------------|------|
| 1 | 65499 | CAP, SIDE OIL FILL, PERKINS..... | 1 | 26 | 65487 | ALTERNATOR, PERKINS | |
| 2 | 65503 | GASKET,MUFFLER PERKINS(53883)..... | 1 | | | (53883)..... | 1 |
| 3 | 65504 | NUT,MUFFLER PERKINS 10MM..... | 3 | | | | |
| 4 | 63313 | MUFFLER, PERKINS..... | 1 | | | | |
| 5 | 16584 | U-BOLT, KIT 5/16-18 X 2.5..... | 2 | | | | |
| 6 | 63326P | MUFFLER BRACKET, PAINTED..... | 1 | | | | |
| 7 | 6037 | NUT,HEX,5/16-18..... | 4 | | | | |
| 8 | 6886 | WASHER,LOCK,.313..... | 6 | | | | |
| 9 | 5397 | WASHER,FLAT,USS,5/16",Y..... | 4 | | | | |
| 10 | 23057 | SCREW,HHC,M8 X 20MM..... | 2 | | | | |
| 11 | 6638 | WASHER,FLAT,USS,1/4"Y..... | 2 | | | | |
| 12 | 44064 | SCREW,HHC,M10 X 30MM,ARSE..... | 26 | | | | |
| 13 | 22700 | WASHER,LOCK,M10..... | 26 | | | | |
| 14 | 45454 | CLAMP,RUB CUSH,0.75,#12 X 3/8*..... | 1 | | | | |
| 15 | 53964 | PUMP ASSY, M46+1.0 CU IN LIFT*..... | 1 | | | | |
| | | <i>includes index numbers 16 through 19</i> | | | | | |
| -- | 22965 | EDC ASSY,SAUER,M46***..... | 1 | | | | |
| -- | 27067 | SEAL,SHAFT-SUNDSTRAND***..... | 1 | | | | |
| -- | 29739 | SEAL KIT,SAUER-DANFOSS M46***..... | 1 | | | | |
| -- | 32611 | SHAFT,M46 15 TOOTH..... | 1 | | | | |
| -- | 46674 | PUMP,VAR.PISTON M46 2.8 CIQVP*..... | 1 | | | | |
| 16 | 53959 | PUMP,LIFT 1.403 C.I.***..... | 1 | | | | |
| -- | 58228 | SEAL KIT***..... | 1 | | | | |
| 17 | 6175 | SCREW,HHC,3/8-16 X 1..... | 10 | | | | |
| 18 | 6097 | WASHER,FLAT,USS,3/8",Y..... | 2 | | | | |
| 19 | 29436 | O-RING***..... | 1 | | | | |
| 20 | 6096 | SCREW,HHC,1/2-13 X 2 GR5..... | 2 | | | | |
| 21 | 6033 | WASHER,LOCK,0.5"..... | 2 | | | | |
| 22 | 63464P | PLATE, PUMP MOUNT, PAINTED..... | 1 | | | | |
| 23 | 37002 | COUPLER,HUB,15 TOOTH 7/16BOLT*..... | 1 | | | | |
| 24 | 33024 | FLYWHEEL FLANGE,GREEN PLASTIC..... | 1 | | | | |
| 25 | 65495 | STARTER MOTOR, PERKINS (53883)..... | 1 | | | | |

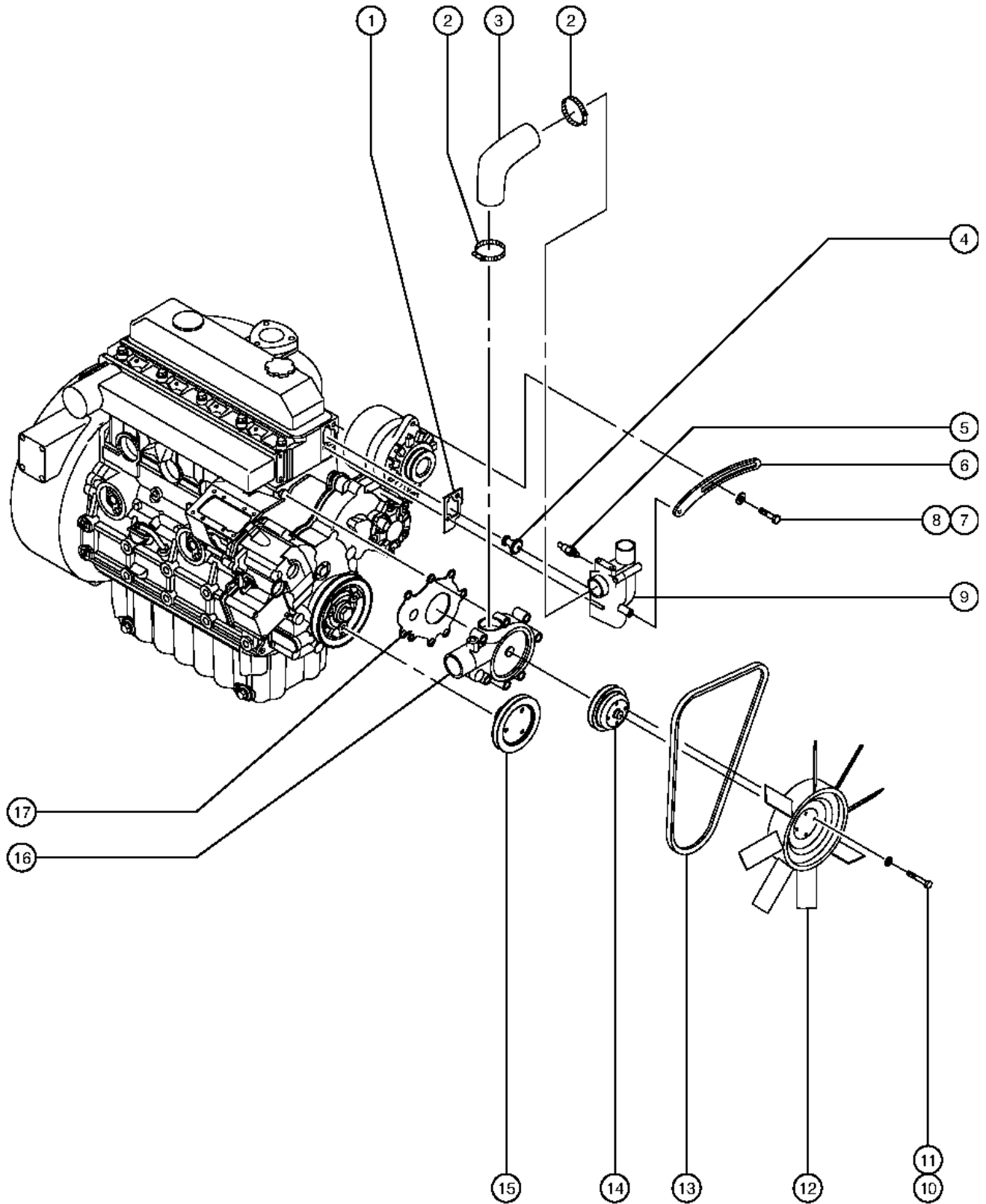
408.1 Perkins 704-30 Engine - View 2



408.1 Perkins 704-30 Engine - View 2

| Item | Part No. | Description | Qty. | Item | Part No. | Description | Qty. |
|------|------------|---|------|------|------------|--|------|
| 1 | 109802 | PLUG,STEEL SOCKET,SAE090109B-6..... | 1 | 23 | 77139 | FILTER ASY,M PRESS,SAE8,WOIND*..... | 1 |
| 2 | 62421 | FILTER,FUEL,PERKINS..... | 1 | -- | 20880 | FILTER ELEMENT-10 MIC.***..... | 1 |
| 3 | 65500 | PUMP, LIFT INLET PORT (53883)..... | 1 | 24 | 63399P | AIR CLEANER BRACKET, PAINTED..... | 1 |
| -- | 53948 | ADPTR,STR FEM INV 45D 1/4X1/4..... | 1 | 25 | 48498 | ISOLATOR,AIR FILTER MOUNT.... | 2 |
| -- | 65501 | FITTINGS, LIFT PUMP INLET PORT..... | 1 | 26 | 62420 | FILTER,AIR..... | 1 |
| 4 | 65497 | DIPSTICK (53883)..... | 1 | 27 | 34162-3150 | HOSE,AIR INTAKE 2.5" I.D..... | 1 |
| 5 | 62422 | FILTER,OIL,PERKINS 704-30 (BB)..... | 1 | | | | |
| 6 | 65498 | CAP,OIL FILLER, PERKINS..... | 1 | | | | |
| 7 | 30810 | SENDING UNIT,OIL PRESSURE***..... | 1 | | | | |
| 8 | 53951 | ADPTR,ST. THR 3/4-16 FEM PIPE..... | 1 | | | | |
| 9 | 53945 | CLAMP,HOSE 2 5/16-3 1/4..... | 5 | | | | |
| 10 | 34164 | ELBOW,90 DEGR,RUBBER,2.5" I.D.*..... | 2 | | | | |
| 11 | 63463 | AIR CLEANER,NELSON***..... <i>includes index number 26</i> | 1 | | | | |
| 12 | 54535 | BRACKET,AIR CLEANER PERKINS..... <i>includes mounting fasteners</i> | 1 | | | | |
| 13 | 6584 | SCREW,SHS,10-24 X .625..... | 1 | | | | |
| 14 | 5365 | NUT,NYLOCK,10-24..... | 1 | | | | |
| 15 | 21130 | CLEVIS YOKE-1/4-28,PLTD W/PIN..... | 1 | | | | |
| 16 | 21496 | NUT,HEX,1/4-28..... | 2 | | | | |
| 17 | 30785-1000 | THREADED ROD,1/4-28 X 10 IN***..... | 1 | | | | |
| 18 | 6888 | SCREW,HHC,1/4-20 X 1..... | 4 | | | | |
| 19 | 6638 | WASHER,FLAT,USS,1/4"Y..... | 11 | | | | |
| 20 | 29073 | SOLENOID,THROTTLE,..... | 1 | | | | |
| -- | 52537 | BOOT,SOLENOID,29073..... | 1 | | | | |
| -- | 73993 | HARNES, RPM SOLENOID RELAY..... | 1 | | | | |
| 21 | 6090 | SCREW,HHC,1/4-20 X .7..... | 7 | | | | |
| 22 | 42766 | SEPARATOR/FILTER,FUEL DIESEL..... | 1 | | | | |
| -- | 22942 | FILTER FOR FUEL/WTR SEP,22290..... | 1 | | | | |

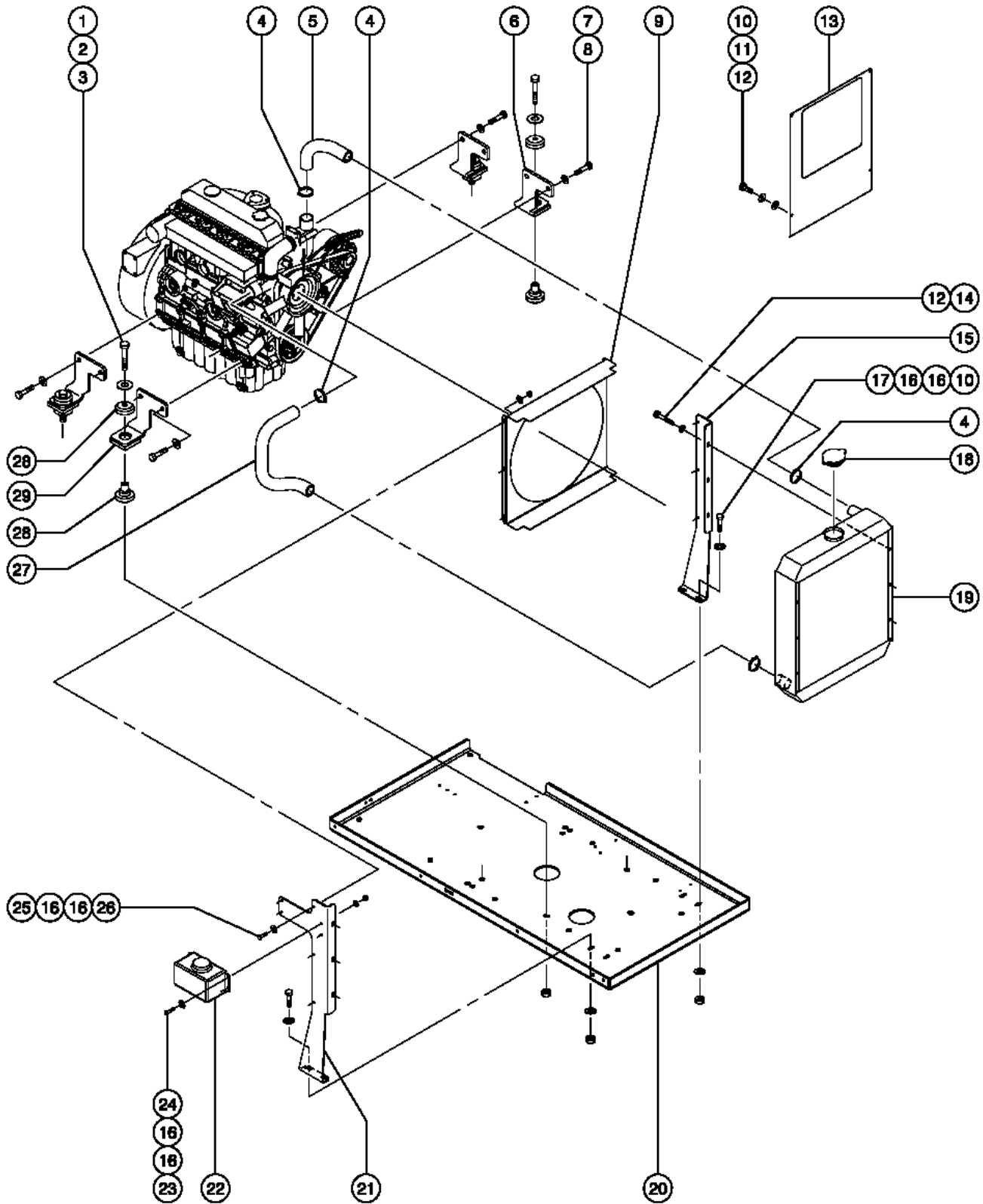
409.1 Perkins 704-30 Engine - View 3



409.1 Perkins 704-30 Engine - View 3

| Item | Part No. | Description | Qty. |
|------|----------|--|------|
| 1 | 65505 | GASKET, THERMOSTAT (53883).... | 1 |
| 2 | 65506 | CLAMP, HOSE (53883)..... | 2 |
| 3 | 65507 | HOSE, WATER PUMP (53383)..... | 1 |
| 4 | 65493 | THERMOSTAT, PERKINS (53883)..... | 1 |
| 5 | 34058 | SENDING UNIT,TMP,FRD,GM,PRK704..... | 1 |
| 6 | 65488 | LEVER ALTERNATOR, (53883)..... | 1 |
| 7 | 49381 | SCREW,HHC,M12 X 30..... | 2 |
| 8 | 65355 | WASHER,LOCK,M12..... | 2 |
| 9 | 65494 | HOUSING,THERMOSTAT (53883)..... | 1 |
| 10 | 67349 | SCREW,HHC,M8 X 50..... | 4 |
| 11 | 49408 | WASHER,LOCK,M8..... | 4 |
| 12 | 65490 | FAN, PERKINS (53883)..... | 1 |
| 13 | 62423 | BELT,V KIT, PERKINS 704-30..... | 1 |
| 14 | 77482 | PULLEY, WATER PUMP..... | 1 |
| 15 | 65496 | PULLEY,CRANKSHAFT (53883)..... | 1 |
| 16 | 65491 | WATER PUMP, PERKINS (53883)..... | 1 |
| 17 | 65492 | GASKET,WATER PUMP,PERKINS..... | 1 |

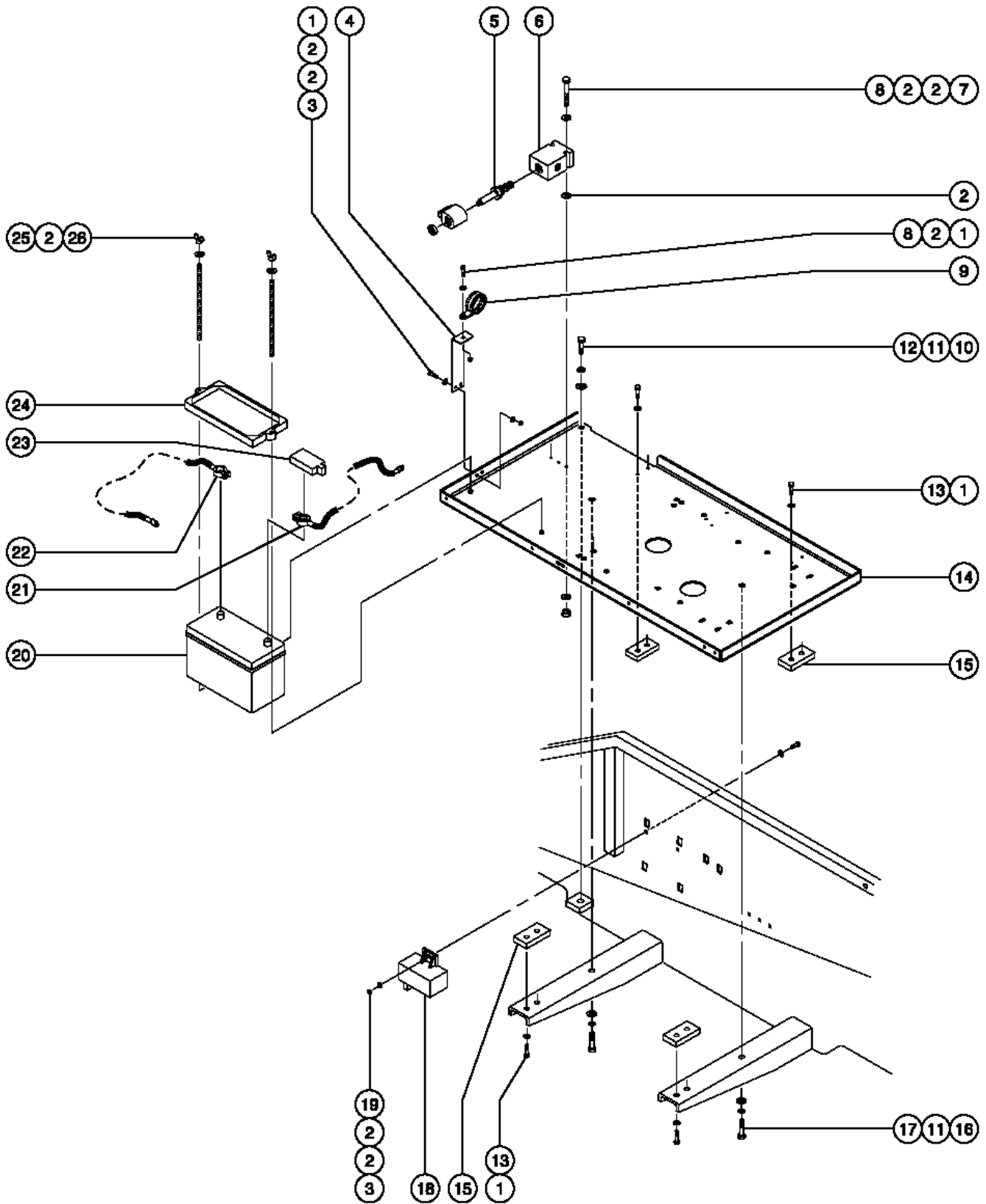
410.1 Perkins 704-30 Engine - View 4



410.1 Perkins 704-30 Engine - View 4

| Item | Part No. | Description | Qty. |
|------|----------|---|------|
| 1 | 53909 | SCREW,HHC,5/8-11 X 4.0 GR8..... | 4 |
| 2 | 33418 | WASHER,FLAT,.625 X 2.25 X.15..... | 4 |
| 3 | 6024 | NUT,NYLOCK,5/8-11..... | 4 |
| 4 | 21465 | CLAMP,HOSE,SIZE .25 TO .63..... | 4 |
| 5 | 63413 | RADIATOR HOSE, UPPER..... | 1 |
| 6 | 63418 | WELDMENT,ENGINE MOUNT,INBOARD..... | 2 |
| 7 | 49384 | SCREW,HHC,M14 X 30..... | 8 |
| 8 | 37505 | WASHER,LOCK,M14..... | 8 |
| 9 | 63364P | FAN SHROUD, PAINTED..... | 1 |
| 10 | 6175 | SCREW,HHC,3/8-16 X 1..... | 6 |
| 11 | 6021 | WASHER,LOCK,.375..... | 4 |
| 12 | 5397 | WASHER,FLAT,USS,5/16",Y..... | 10 |
| 13 | 63400P | BAFFLE, PERKINS, S40, PAINTED*..... | 1 |
| 14 | 13002 | SCREW,HHC,5/16-18 X 1 GR5..... | 6 |
| 15 | 63362P | RADIATOR MOUNT, LH, PAINTED..... | 1 |
| 16 | 6638 | WASHER,FLAT,USS,1/4"Y..... | 26 |
| 17 | 7713 | NUT,LP NYLOCK,3/8-16..... | 6 |
| 18 | 65473 | CAP,RADIATOR,PERKINS/FORD.... | 1 |
| 19 | 63462 | RADIATOR,PERKINS,GM..... <i>includes index number 18</i> | 1 |
| 20 | 30679-S | WELDMENT, ENGINE MODULE PLATE..... | 1 |
| 21 | 63363P | RADIATOR MOUNT, RH PAINTED..... | 1 |
| 22 | 54071 | COOLANT RETURN SYSTEM,Z45***..... | 1 |
| -- | 72327 | CAP, COOLANT RET SYS(54071)..... | 1 |
| 23 | 6090 | SCREW,HHC,1/4-20 X .7..... | 4 |
| 24 | 6889 | NUT,LP NYLOCK,1/4-20..... | 4 |
| 25 | 6888 | SCREW,HHC,1/4-20 X 1..... | 6 |
| 26 | 6091 | NUT,NYLOCK,1/4-20..... | 6 |
| 27 | 63414 | RADIATOR HOSE, LOWER..... | 1 |
| 28 | 28076 | ISOLATOR,VIBRATION,LG,RD&WH*** | 4 |
| 29 | 63419 | WELDMENT,ENGINE MOUNT,OUTBOARD..... | 2 |

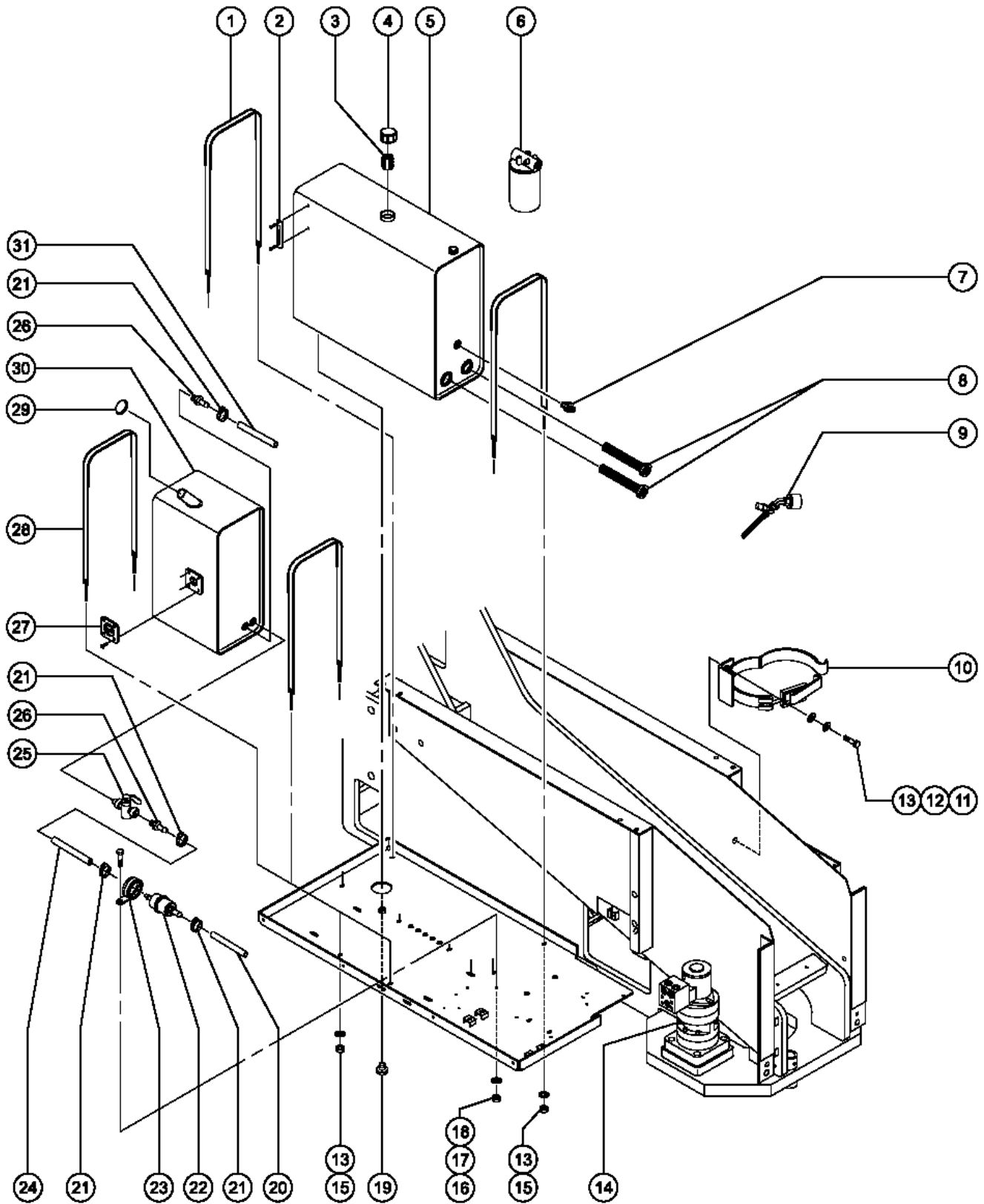
411.1 Perkins 704-30 Engine - View 5



411.1 Perkins 704-30 Engine - View 5

| Item | Part No. | Description | Qty. |
|------|-----------|--|------|
| 1 | 6090 | SCREW,HHC,1/4-20 X .7..... | 11 |
| 2 | 6638 | WASHER,FLAT,USS,1/4"Y..... | 15 |
| 3 | 6091 | NUT,NYLOCK,1/4-20..... | 3 |
| 4 | 63457P | AIR INTAKE BRACKET, PAINTED..... | 1 |
| 5 | 29066 | VALVE,SOLENOID,10V,2POS 3WAY**..... | 1 |
| -- | 27814 | COIL,SOLENOID,10V..... | 1 |
| -- | 45912 | NUT,SOLENOID,2POS 3WAY..... | 1 |
| 6 | 30369 | SOLENOID VALVE,N.C. 2POS. 3WAY..... <i>includes index number 5</i> | 1 |
| 7 | 6115 | SCREW,HHC,1/4-20 X 3.5..... | 2 |
| 8 | 6889 | NUT,LP NYLOCK,1/4-20..... | 3 |
| 9 | 45455 | CLAMP,2.75,#44 X 1/4,RUB CUSH..... | 1 |
| 10 | 29883 | SCREW,HHC,5/8-11 X 1.75 GRD.8..... | 1 |
| 11 | 6036 | WASHER,LOCK,.625 PLTD..... | 3 |
| 12 | 13064 | WASHER,FLAT,.625 HARDENED.... | 1 |
| 13 | 6356 | WASHER,LOCK,.25..... | 8 |
| 14 | 30679-S | WELDMENT, ENGINE MODULE PLATE..... | 1 |
| 15 | 45209 | WEAR PAD,4X2X.5 W/INSERT***.... | 4 |
| 16 | 21175 | SCREW,SHC,5/8-11 X 4,A574..... | 2 |
| 17 | 33418 | WASHER,FLAT,.625 X 2.25 X.15.... | 2 |
| 18 | 65502 | CONTROLLER,GLOW PLUG (53883)..... | 1 |
| 19 | 6888 | SCREW,HHC,1/4-20 X 1..... | 1 |
| 20 | 30143 | BATTERY,12V,1000 CCA GRP 31..... | 1 |
| 21 | 30891 | BATT.CABLE,00,POS.,RED,50"..... | 1 |
| 22 | 122058 | BATTERY CABLE,1/0 GA,BLK 30"..... | 1 |
| 23 | 18189 | BOOT,BATTERY TERMINAL,RED..... | 1 |
| 24 | 30144 | BATTERY HOLD DOWN,GROUP 31..... | 1 |
| 25 | 8170 | NUT,WING,1/4-20..... | 2 |
| 26 | 30784-975 | THREADED ROD,(1/4-20),9.75..... | 2 |

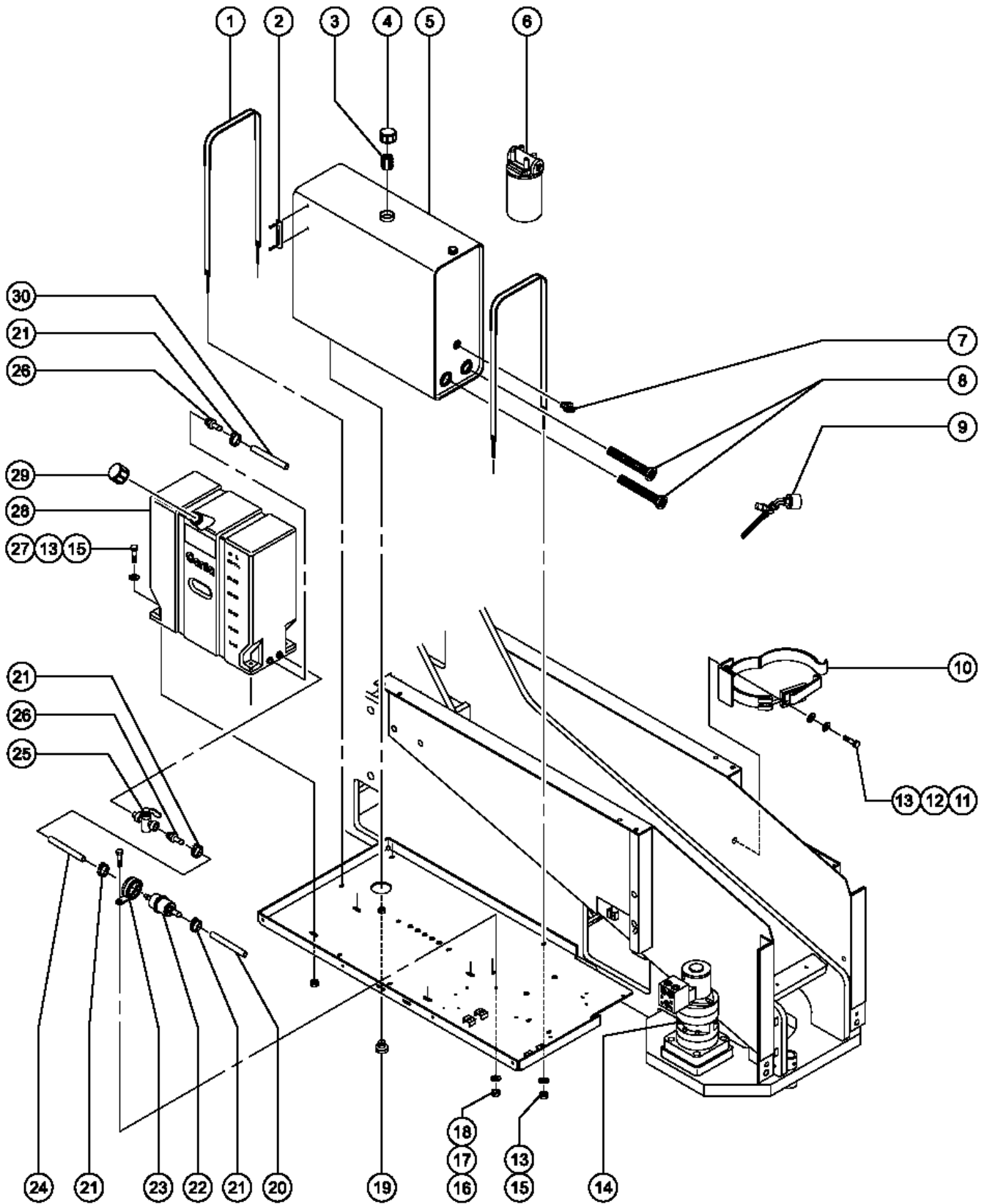
501.1 Hydraulic and Fuel Tanks - Gasoline/LPG



501.1 Hydraulic and Fuel Tanks - Gasoline/LPG

| Item | Part No. | Description | Qty. | Item | Part No. | Description | Qty. |
|------|----------|--|------|------|----------|---------------------------------------|------|
| 1 | 31524 | STRAP ASSY,TANK, 66 INCH..... | 2 | 25 | 19487 | VALVE,FUEL LOCK..... | 1 |
| -- | 31658 | EXTRUSION,RUBBER BUMPER STRIP..... | 2 | 26 | 53023 | FITTING,1/4 MPT 5/16 BARB..... | 2 |
| 2 | 21141 | GAUGE-SIGHT,LHA-LGTB*** <i>includes mounting fasteners</i> | 1 | 27 | 30584 | GAUGE,FUEL,SIDE MOUNT..... | 1 |
| 3 | 31506 | STRAINER,FILLER NECK..... | 1 | 28 | 30179 | TANK STRAP,BOLT STYLE,62"..... | 2 |
| 4 | 53527 | CAP,FILLER BREATHER,3 MICRON**..... | 1 | -- | 31658 | EXTRUSION,RUBBER BUMPER STRIP..... | 2 |
| 5 | 58211 | HYDRAULIC TANK ASSY,S40/80*** <i>includes index numbers 2 - 4, 7, 8 and 19; to SN 4392</i> | 1 | 29 | 28829 | CAP,FUEL,RED***..... | 1 |
| -- | 58210 | HYDRAULIC TANK ASSY,S40/80*** <i>includes index numbers 2 - 4, 7, 8 and 19; from SN 4393</i> | 1 | 30 | 30546P-S | TANK,30 GALLON,PAINTED**..... | 1 |
| 6 | 48470 | FILTER ASSEMBLY W/IND L,PAPER..... | 1 | 31 | 27089 | HOSE,5/16 FUEL,SAE 30R7 | |
| -- | 46014 | FILTER,ELEMENT,BETA(6)=200..... | 1 | | | | |
| 7 | 48922 | CONN,520102-6-6..... | 1 | | | | |
| 8 | 45161 | STRAINER ASSEMBLY,1.5" NPT..... | 2 | | | | |
| 9 | 25967 | HOSE ASSEMBLY,LP GAS-86" LNG**..... | 1 | | | | |
| 10 | 30711 | LP.TANK BRKT WLDMT.,TALL..... <i>to SN 2021</i> | 1 | | | | |
| -- | 53120-S | LP.TANK BRACKET TALL WLDMNT..... <i>from SN 2022</i> | 1 | | | | |
| 11 | 6175 | SCREW,HHC,3/8-16 X 1..... | 2 | | | | |
| 12 | 6021 | WASHER,LOCK,.375..... | 2 | | | | |
| 13 | 5397 | WASHER,FLAT,USS,5/16",Y..... | 11 | | | | |
| 14 | | Ref. Turntable Rotator (refer to Figure 507.1)..... | 11 | | | | |
| 15 | 4828 | NUT,NYLOCK,3/8-16..... | 11 | | | | |
| 16 | 6002 | NUT,LP NYLOCK,5/16-18..... | 1 | | | | |
| 17 | 6097 | WASHER,FLAT,USS,3/8",Y..... | 1 | | | | |
| 18 | 13002 | SCREW,HHC,5/16-18 X 1 GR5..... | 1 | | | | |
| 19 | 31507 | PLUG,SQUARE HEAD,3/4 MPT..... | 1 | | | | |
| 20 | 27089 | HOSE,5/16 FUEL,SAE 30R7 | | | | | |
| 21 | 21465 | CLAMP,HOSE,SIZE .25 TO .63..... | 4 | | | | |
| 22 | 52179 | FILTER, FUEL LRG 425/423 EFI..... | 1 | | | | |
| 23 | 45455 | CLAMP,2.75,#44 X 1/4,RUB CUSH..... | 1 | | | | |
| 24 | 27089 | HOSE,5/16 FUEL,SAE 30R7 | | | | | |

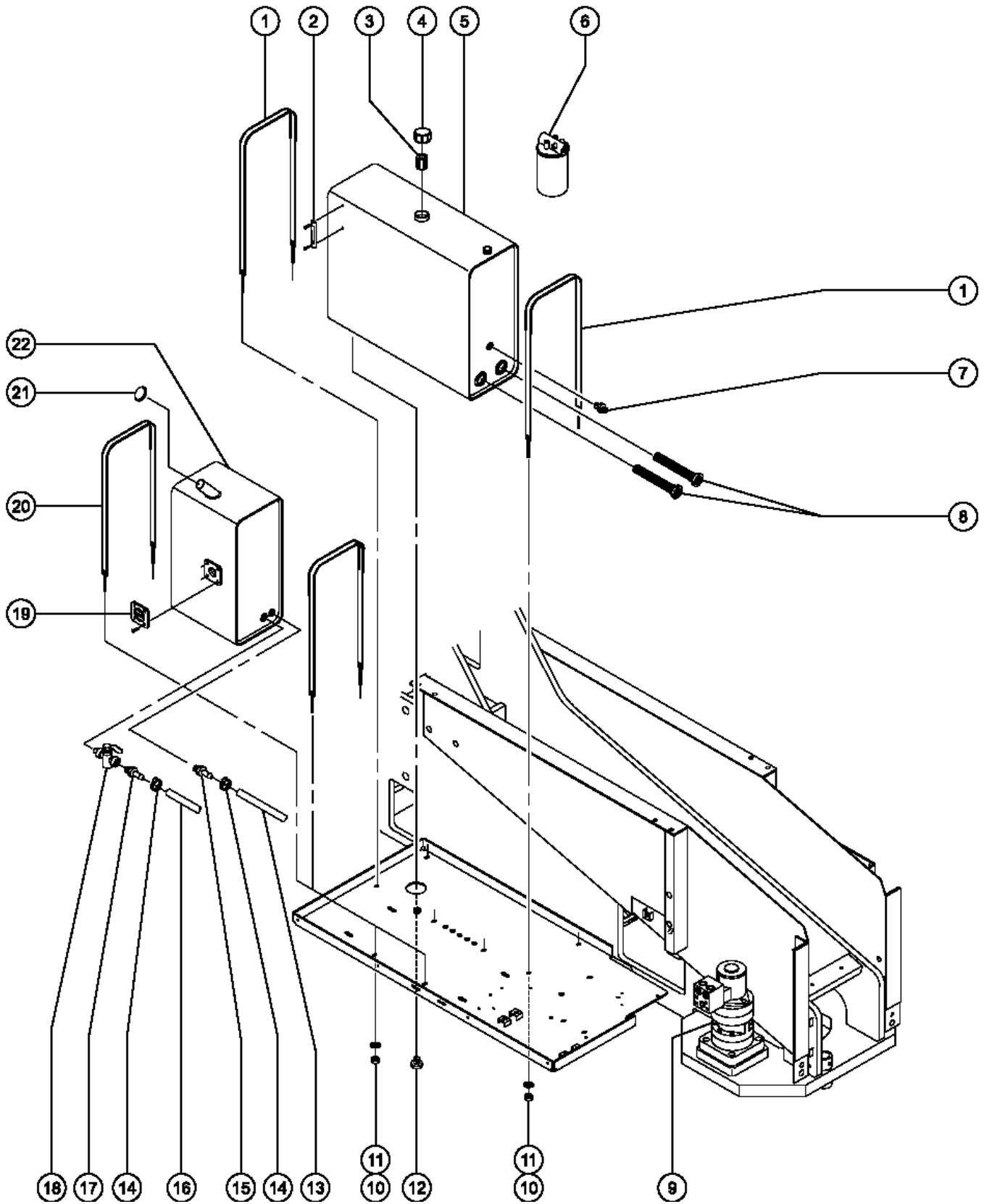
502.1 Hydraulic and Fuel Tanks - Gasoline/LPG



502.1 Hydraulic and Fuel Tanks - Gasoline/LPG

| Item | Part No. | Description | Qty. | Item | Part No. | Description | Qty. |
|------|----------|--|------|------|----------|--|------|
| 1 | 31524 | STRAP ASSY,TANK, 66 INCH..... | 2 | 25 | 19487 | VALVE,FUEL LOCK..... | 1 |
| -- | 31658 | EXTRUSION,RUBBER BUMPER STRIP..... | 2 | 26 | 53023 | FITTING,1/4 MPT 5/16 BARB..... | 2 |
| 2 | 21141 | GAUGE-SIGHT,LHA-LGTB*** <i>includes mounting fasteners</i> | 1 | 27 | 8178 | SCREW,HHC,3/8-16 X 2.5..... | 4 |
| 3 | 31506 | STRAINER,FILLER NECK..... | 1 | 28 | 73593 | FUEL TANK,H/D PLASTIC W/DECAL*..... | 1 |
| 4 | 53527 | CAP,FILLER BREATHER,3 MICRON**..... | 1 | 29 | 101727 | CAP,FUEL,GAS,1/8"VENT(RED)..... | 1 |
| 5 | 58211 | HYDRAULIC TANK ASSY,S40/80*** <i>includes index numbers 2 - 4, 7, 8 and 19; to SN 4392</i> | 1 | 30 | 27089 | HOSE,5/16 FUEL,SAE 30R7 | |
| -- | 58210 | HYDRAULIC TANK ASSY,S40/80*** <i>includes index numbers 2 - 4, 7, 8 and 19; from SN 4393</i> | 1 | | | | |
| 6 | 48470 | FILTER ASSEMBLY W/IND L,PAPER..... | 1 | | | | |
| -- | 46014 | FILTER,ELEMENT,BETA(6)=200..... | 1 | | | | |
| 7 | 48922 | CONN,520102-6-6..... | 1 | | | | |
| 8 | 45161 | STRAINER ASSEMBLY,1.5" NPT..... | 2 | | | | |
| 9 | 25967 | HOSE ASSEMBLY,LP GAS-86" LNG**..... | 1 | | | | |
| 10 | 30711 | LP.TANK BRKT WLDMT.,TALL..... <i>to SN 2021</i> | 1 | | | | |
| -- | 53120-S | LP.TANK BRACKET TALL WLDMNT..... <i>from SN 2022</i> | 1 | | | | |
| 11 | 6175 | SCREW,HHC,3/8-16 X 1..... | 2 | | | | |
| 12 | 6021 | WASHER,LOCK,.375..... | 2 | | | | |
| 13 | 5397 | WASHER,FLAT,USS,5/16",Y..... | 7 | | | | |
| 14 | | Ref. Turntable Rotator (refer to Figure 507.1)..... | 7 | | | | |
| 15 | 4828 | NUT,NYLOCK,3/8-16..... | 7 | | | | |
| 16 | 6002 | NUT,LP NYLOCK,5/16-18..... | 1 | | | | |
| 17 | 6097 | WASHER,FLAT,USS,3/8",Y..... | 1 | | | | |
| 18 | 13002 | SCREW,HHC,5/16-18 X 1 GR5..... | 1 | | | | |
| 19 | 31507 | PLUG,SQUARE HEAD,3/4 MPT..... | 1 | | | | |
| 20 | 27089 | HOSE,5/16 FUEL,SAE 30R7 | | | | | |
| 21 | 21465 | CLAMP,HOSE,SIZE .25 TO .63..... | 4 | | | | |
| 22 | 52179 | FILTER, FUEL LRG 425/423 EFI..... | 1 | | | | |
| 23 | 45455 | CLAMP,2.75,#44 X 1/4,RUB CUSH..... | 1 | | | | |
| 24 | 27089 | HOSE,5/16 FUEL,SAE 30R7 | | | | | |

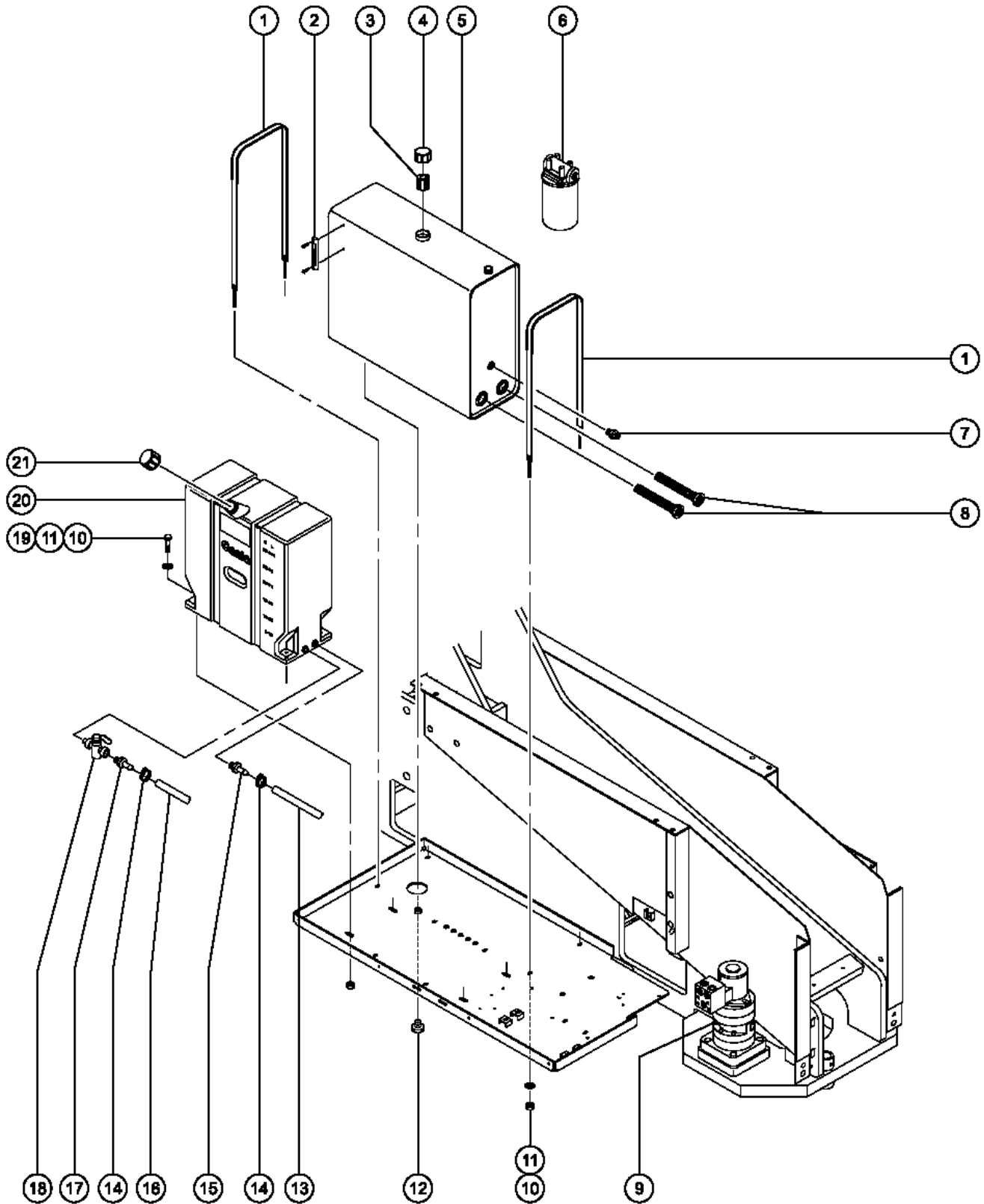
503.1 Hydraulic and Fuel Tanks - Diesel



503.1 Hydraulic and Fuel Tanks - Diesel

| Item | Part No. | Description | Qty. |
|------|----------|--|------|
| 1 | 31524 | STRAP ASSY,TANK, 66 INCH..... | 2 |
| -- | 31658 | EXTRUSION,RUBBER BUMPER STRIP..... | 2 |
| 2 | 21141 | GAUGE-SIGHT,LHA-LGTB*** <i>includes mounting fasteners</i> | 1 |
| 3 | 31506 | STRAINER,FILLER NECK..... | 1 |
| 4 | 53527 | CAP,FILLER BREATHER,3 MICRON**..... | 1 |
| 5 | 58211 | HYDRAULIC TANK ASSY,S40/80*** <i>includes index numbers 2 - 4, 7, 8 and 19; to SN 4392</i> | 1 |
| -- | 58210 | HYDRAULIC TANK ASSY,S40/80*** <i>includes index numbers 2 - 4, 7, 8 and 19; from SN 4393</i> | 1 |
| 6 | 48470 | FILTER ASSEMBLY W/IND L,PAPER..... | 1 |
| -- | 46014 | FILTER,ELEMENT,BETA(6)=200..... | 1 |
| 7 | 48922 | CONN,520102-6-6..... | 1 |
| 8 | 45161 | STRAINER ASSEMBLY,1.5" NPT..... | 2 |
| 9 | | Ref. Turntable Rotator (refer to Figure 507.1)..... | 2 |
| 10 | 4828 | NUT,NYLOCK,3/8-16..... | 8 |
| 11 | 5397 | WASHER,FLAT,USS,5/16",Y..... | 8 |
| 12 | 31507 | PLUG,SQUARE HEAD,3/4 MPT..... | 1 |
| 13 | 30490 | HOSE,1/4 FUEL LINE,SAE 30R7 | |
| 14 | 21465 | CLAMP,HOSE,SIZE .25 TO .63..... | 2 |
| 15 | 29137 | HOSE END,MALE.25 X .25 MPT..... | 1 |
| 16 | 27089 | HOSE,5/16 FUEL,SAE 30R7 | |
| 17 | 53023 | FITTING,1/4 MPT 5/16 BARB..... | 1 |
| 18 | 19487 | VALVE,FUEL LOCK..... | 1 |
| 19 | 30584 | GAUGE,FUEL,SIDE MOUNT..... | 1 |
| 20 | 30179 | TANK STRAP,BOLT STYLE,62"..... | 2 |
| -- | 31658 | EXTRUSION,RUBBER BUMPER STRIP..... | 2 |
| 21 | 25567 | CAP,FUEL,GREEN*..... | 1 |
| 22 | 30546P-S | TANK,30 GALLON,PAINTED**..... | 1 |

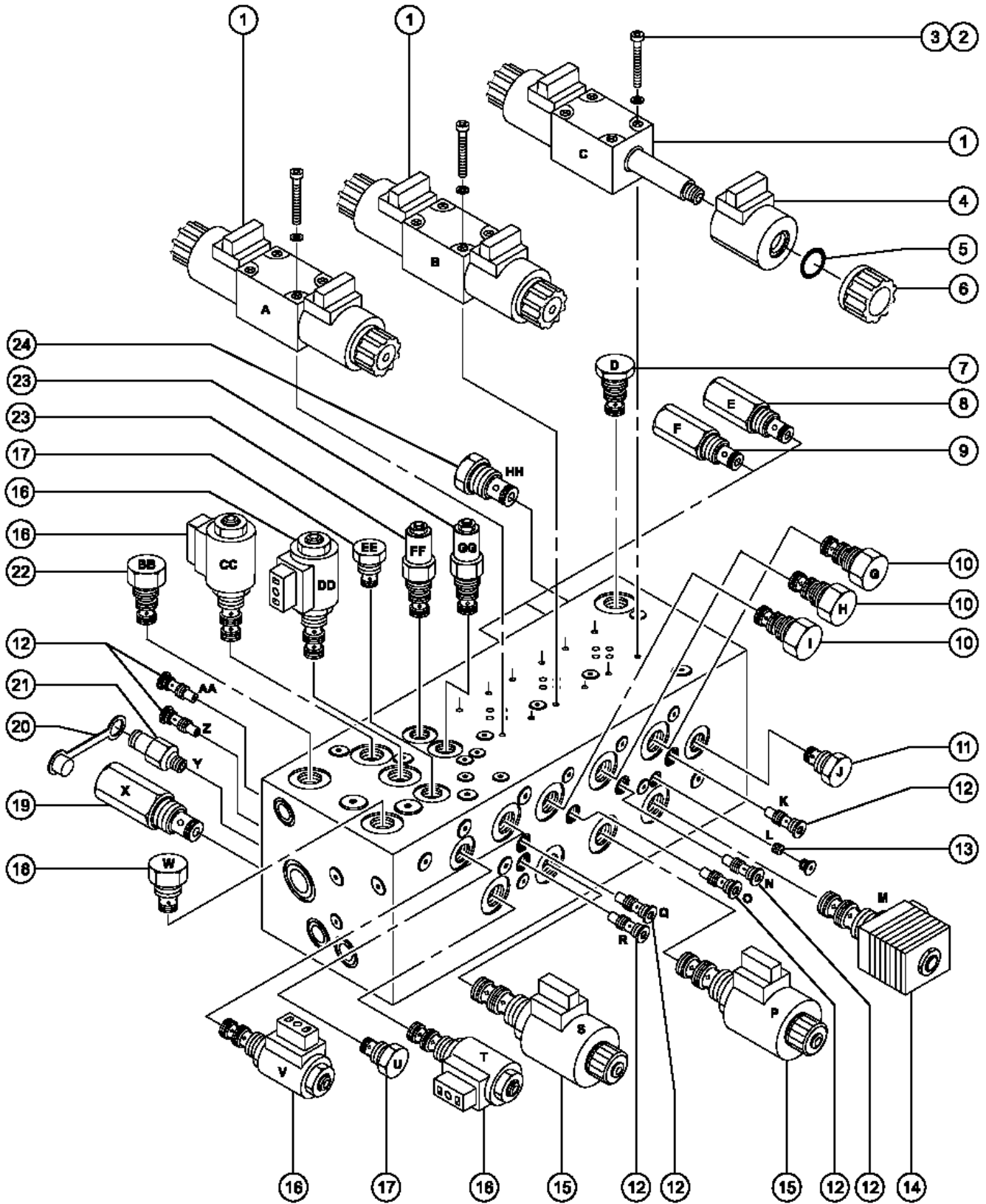
504.1 Hydraulic and Fuel Tanks - Diesel



504.1 Hydraulic and Fuel Tanks - Diesel

| Item | Part No. | Description | Qty. |
|------|----------|---|------|
| 1 | 31524 | STRAP ASSY,TANK, 66 INCH..... | 2 |
| 2 | 21141 | GAUGE-SIGHT,LHA-LGTB*** <i>includes mounting fasteners</i> | 1 |
| 3 | 31506 | STRAINER,FILLER NECK..... | 1 |
| 4 | 53527 | CAP,FILLER BREATHER,3 MICRON** | 1 |
| 5 | 58211 | HYDRAULIC TANK ASSY,S40/80*** | 1 |
| | | <i>includes index numbers 2 - 4, 7, 8 and 12; to SN 4392</i> | |
| -- | 58210 | HYDRAULIC TANK ASSY,S40/80*** | 1 |
| | | <i>includes index numbers 2 - 4, 7, 8 and 12; from SN 4393</i> | |
| 6 | 48470 | FILTER ASSEMBLY W/IND L,PAPER..... | 1 |
| -- | 46014 | FILTER,ELEMENT,BETA(6)=200..... | 1 |
| 7 | 48922 | CONN,520102-6-6..... | 1 |
| 8 | 45161 | STRAINER ASSEMBLY,1.5" NPT..... | 2 |
| 9 | | Ref. Turntable Rotator (refer to Figure 507.1)..... | 2 |
| 10 | 4828 | NUT,NYLOCK,3/8-16..... | 8 |
| 11 | 5397 | WASHER,FLAT,USS,5/16",Y..... | 8 |
| 12 | 31507 | PLUG,SQUARE HEAD,3/4 MPT..... | 1 |
| 13 | 30490 | HOSE,1/4 FUEL LINE,SAE 30R7 | |
| 14 | 21465 | CLAMP,HOSE,SIZE .25 TO .63..... | 2 |
| 15 | 29137 | HOSE END,MALE.25 X .25 MPT..... | 1 |
| 16 | 27089 | HOSE,5/16 FUEL,SAE 30R7 | |
| 17 | 53023 | FITTING,1/4 MPT 5/16 BARB..... | 1 |
| 18 | 19487 | VALVE,FUEL LOCK..... | 1 |
| 19 | 8178 | SCREW,HHC,3/8-16 X 2.5..... | 4 |
| 20 | 73593 | FUEL TANK,H/D PLASTIC W/DECAL* | 1 |
| 21 | 101726 | CAP,FUEL,DIESEL,1/8"VENT(GRN),1 | |

505.1 Function Manifold



505.1 Function Manifold

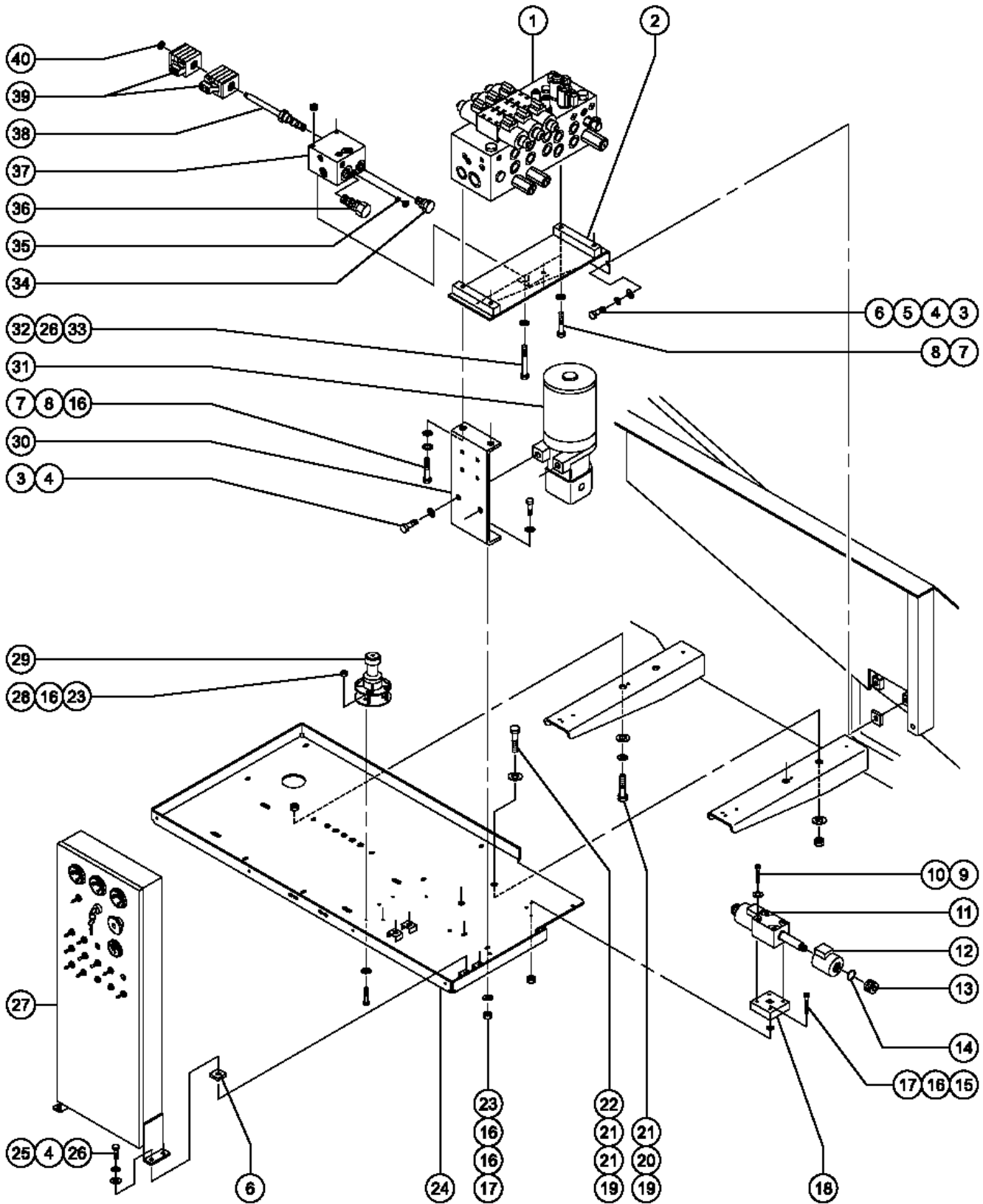
| Item | Part No. | Description | Qty. | Item | Part No. | Description | Qty. |
|------|----------|---|------|------|----------|---|------|
| -- | 28750 | O-RING KIT,FIELD SVC,ALL PROD | | S | | Proportional Solenoid Valve <i>Turntable Rotate</i> | |
| -- | 33994 | PLUG AND CAP KIT-SERVICE,37°** | | T | | Solenoid Valve <i>Platform Level Up</i> | |
| -- | 49612 | O-RING KIT (ORFS FITTINGS) | | U | | Flow Regulator, 0.6 gpm <i>Platform Level Circuit</i> | |
| -- | 49613 | PLUG AND CAP KIT-SERVICE,ORFS* | | V | | Solenoid Valve <i>Platform Level Down</i> | |
| A | | D03 Valve <i>Turntable Rotate Left/Right</i> | | W | | Differential Sensing Valve <i>Meters Flow to Functions</i> | |
| B | | D03 Valve <i>Boom Up/Down</i> | | X | | Relief Valve <i>System Relief</i> | |
| C | | D03 Valve <i>Boom Extend/Retract</i> | | Y | | Diagnostic Nipple <i>Testing</i> | |
| D | | Check Valve <i>Boom Extend/Retract Circuit</i> | | Z | | Check Valve <i>Differential Sensing Circuit, Platform Rotate Left</i> | |
| E | | Relief Valve <i>Boom Extend</i> | | AA | | Check Valve <i>Differential Sensing Circuit, Platform Rotate Right</i> | |
| F | | Relief Valve <i>Boom Down</i> | | BB | | Flow Regulator, 2.0 gpm (without oscillating axle OR 3.5 gpm with oscillating axle) <i>Steer Circuit</i> | |
| G | | Differential. Sensing, 150 psi <i>Boom Extend/Retract Circuit</i> | | CC | | Solenoid Valve <i>Platform Rotate Left</i> | |
| H | | Differential Sensing, 150 psi <i>Boom Up/Down Circuit</i> | | DD | | Solenoid Valve <i>Platform Rotate Right</i> | |
| I | | Differential Sensing, 150 psi <i>Turntable Rotate Left/Right</i> | | EE | | Flow Regulator, 0.6 gpm <i>Platform Rotate Circuit</i> | |
| J | | Flow Regulator, 0.1 gpm <i>Bleeds off Differential Sensing Valve to Tank</i> | | FF | | Counterbalance Valve <i>Platform Level Up</i> | |
| K | | Check Valve <i>Differential Sensing Circuit, Boom Extend/Retract</i> | | GG | | Counterbalance Valve <i>Platform Level Down</i> | |
| L | | Plug - Orifice 0.140 inch <i>Boom Extend/Retract Circuit</i> | | HH | | Check Valve <i>Boom Extend/Retract Circuit</i> | |
| M | | Proportional Solenoid Valve <i>Boom Extend/Retract</i> | | 1 | 146165 | VALVE,DO3.....3 <i>includes 2 each index numbers 4, 5 and 6</i> | |
| N | | Check Valve <i>Differential Sensing Circuit, Boom Up/Down</i> | | 2 | 43255 | SCREW,SHC,10-24 X 2.....12 | |
| O | | Check Valve <i>Differential Sensing Circuit, Turntable Rotate</i> | | 3 | 6607 | WASHER,LOCK,#10 PLTD.....12 | |
| P | | Proportional Solenoid Valve <i>Boom Up/Down</i> | | 4 | 41771 | COIL,10V SPADE,D03.....6 | |
| Q | | Check Valve <i>Differential Sensing Circuit, Platform Level Up</i> | | 5 | 48648 | O-RING, D03 COIL.....6 | |
| R | | Check Valve <i>Differential Sensing Circuit, Platform Level Down</i> | | 6 | 48649 | NUT-D03 COIL.....6 | |
| | | | | 7 | 33511 | VALVE,CHECK,PILOT OPERATED.....1 | |

505.1 Function Manifold
(continued)

| Item | Part No. | Description | Qty. | Item | Part No. | Description | Qty. |
|------|----------|---|------|------|----------|--|------|
| 8 | 52416 | VALVE,RELIEF,1950 PSI,S40..... | 1 | 22 | 30968 | VALVE,FLOW REGULATOR 2.0 GPM..... | 1 |
| 9 | 52415 | VALVE,RELIEF,2200 PSI***..... | 1 | | | <i>non-oscillating models</i> | |
| 10 | 27802 | VALVE,DIFFERENTIAL SENSING***..... | 3 | -- | 111705 | VALVE,FLOW REGULATOR 3.5 GPM**..... | 1 |
| 11 | 32975 | VALVE,FLOW REGULATOR,.1 GPM..... | 1 | | | <i>oscillating models</i> | |
| 12 | 27807 | VALVE,CHECK***..... | 7 | 23 | 48647 | VALVE,COUNTERBALANCE,3500 PSI..... | 2 |
| 13 | 52417 | ORIFICE PLUG, .140..... | 1 | 24 | 32725 | VALVE,CHECK (30797)..... | 1 |
| 14 | 27832 | VALVE,SOLENOID,V2470DRT..... <i>includes the coil and nut; to SN 5641</i> | 1 | -- | 146176 | MANIFOLD,MULTI-FUNCTION S40 <i>to SN 5641</i> | |
| -- | 22813 | COIL,12V.19970,19971..... <i>to SN 5641</i> | 1 | -- | 146177 | MANIFOLD,MLTI-FUNCTION,S40/45 <i>from SN 5642</i> | |
| -- | 45912 | NUT,SOLENOID,2POS 3WAY..... | 1 | | | | |
| -- | 65518 | VALVE,SOLENOID,V2470DRT..... <i>includes the coil and nut; from SN 5642</i> | 1 | | | | |
| -- | 81044 | COIL,SOLENOID,10DSD 10V,W/DIOD..... <i>from SN 5642</i> | 1 | | | | |
| 15 | 27801 | VALVE,PROPORTIONAL SOLENOID***..... | 2 | | | | |
| -- | 21935 | COIL, 12V, 19972/21623/29069..... | 2 | | | | |
| -- | 45914 | O-RING, DO1 VALVE..... | 2 | | | | |
| -- | 45921 | RETAINER-N.C.PROPOR.SOLENOID.2 | | | | | |
| 16 | 48642 | VALVE-SOLENOID, 2POS,3WAY,10V..... <i>includes the coil and nut; to SN 5641</i> | 4 | | | | |
| -- | 27814 | COIL,SOLENOID,10V..... <i>to SN 5641</i> | 4 | | | | |
| -- | 45912 | NUT,SOLENOID,2POS 3WAY..... | 4 | | | | |
| -- | 81043 | COIL,SOLENOID,8 DSD 10V,W/DIO..... <i>from SN 5642</i> | 4 | | | | |
| -- | 84128 | SOLENOID VALVE, GS-3384..... <i>includes the coil and nut</i> | 4 | | | | |
| 17 | 31100 | VALVE,FLOW REGULATOR 0.6GPM..... | 2 | | | | |
| 18 | 27804 | VALVE,DIFFERENTIAL SENSING***..... | 1 | | | | |
| 19 | 35000 | VALVE,RELIEF 2900 PSI***..... | 1 | | | | |
| 20 | 48880 | CAP,DIAGNOSTIC NIPPLE..... | 1 | | | | |
| 21 | 48997 | NIPPLE,DIAGNOSTIC,#4 PORT***..... | 1 | | | | |
| -- | 20224 | DIAGNOSTIC FEMALE Q-DSCNT..... | 1 | | | | |

This Page Intentionally Left Blank

506.1 Function Manifold and Auxiliary Power Unit Installation



506.1 Function Manifold and Auxiliary Power Unit Installation

| Item | Part No. | Description | Qty. | Item | Part No. | Description | Qty. |
|------|----------|--|------|------|----------|--|------|
| 1 | 146176 | MANIFOLD,MULTI-FUNCTION S40.....1 <i>to SN 5641</i> | 1 | 29 | 94077 | SENSOR,LEVEL,4.5 DEG.....1 | 1 |
| -- | 146177 | MANIFOLD,MLTI-FUNCTION,S40/45.1 <i>from SN 5642</i> | 1 | 30 | 30718P-S | BRACKET,AUX.PUMP MNT.PAINTED.....1 | 1 |
| 2 | 53122-S | WELDMENT,FUNCTION MANIFOLD MNT.....1 | 1 | 31A | 89617 | POWER UNIT,AUX PUMP 12VDC.....1 <i>complete, replaced older 32811, 53236 and 81071</i> | 1 |
| 3 | 6019 | SCREW,HHC,3/8-16 X 1.25 GRD 5.....8 | 8 | -- | 147289 | SEAL KIT, APU <i>use with 89617</i> | |
| 4 | 6021 | WASHER,LOCK, .375.....8 | 8 | -- | 147290 | SHAFT SEAL, APU <i>use with 89617</i> | |
| 5 | 6097 | WASHER,FLAT,USS,3/8",Y.....6 | 6 | -- | 58489 | PUMP ASSY,AUX.POWER UNIT 89617 <i>use with 89617</i> | |
| 6 | 29868 | SPRING CLIP,3/8-16.....6 | 6 | -- | 37187 | SEAL KIT, 37185 PUMP.....1 <i>use with 81071; from SN 5973</i> | 1 |
| 7 | 4266 | SCREW,HHC,1/4-20 X 2.....4 | 4 | -- | 37192 | COUPLER, PUMP / MOTOR (36179) <i>use with 81071; from SN 5973</i> | |
| 8 | 6356 | WASHER,LOCK, .25.....4 | 4 | -- | 62268 | PUMP, AUX. POWER UNIT <i>use with 81071; from SN 5973</i> | |
| 9 | 45916 | SCREW,SHC,10-24 X 1.250 (D01).....4 | 4 | -- | 62414 | SEAL, SHAFT, 60511 APU <i>use with 81071; from SN 5973</i> | |
| 10 | 6607 | WASHER,LOCK,#10 PLTD.....4 | 4 | -- | 77069 | MOTOR,12VDC,77066 <i>use with 81071 and 89617</i> | |
| 11 | 146160 | VALVE KIT,D03.....1 <i>includes index numbers 12 through 14; non-oscillating models</i> | 1 | -- | 77071 | SOLENOID,77066 <i>use with 81071 and 89617</i> | |
| 12 | 41771 | COIL,10V SPADE,D03.....1 <i>non-oscillating models</i> | 1 | -- | 62080 | MOTOR,12V DC,APU (53236) <i>single terminal motor, use with 53236; to SN 5972</i> | |
| 13 | 48649 | NUT-D03 COIL.....1 <i>non-oscillating models</i> | 1 | -- | 32948 | COUPLER,PUMP TO MOTOR (32810) <i>use with 53236 and 32811; to 5972</i> | |
| 14 | 48648 | O-RING, D03 COIL.....1 <i>non-oscillating models</i> | 1 | -- | 32949 | MOTOR,12V DC (32810/32811)APU <i>dual terminal motor, use with 32811; to SN 5972</i> | |
| 15 | 30444 | SCREW,SHC,1/4-20 X 2.....4 | 4 | -- | 32955 | END HEAD, 32810 POWER UNIT <i>use with 53236 and 32811; to 5972</i> | |
| 16 | 6638 | WASHER,FLAT,USS,1/4"Y.....14 | 14 | -- | 32959 | BALL,CHECK (32810) <i>use with 53236 and 32811; to 5972</i> | |
| 17 | 6091 | NUT,NYLOCK,1/4-20.....6 | 6 | -- | 32962 | GASKET,0.0005,SILVER (32810) <i>use with 53236 and 32811; to 5972</i> | |
| 18 | 24675 | SUB PLATE (SPOOL VALVE).....1 <i>non-oscillating models</i> | 1 | -- | 32963 | GASKET,0.001,AMBER (32810) <i>use with 53236 and 32811; to 5972</i> | |
| 19 | 29883 | SCREW,HHC,5/8-11 X 1.75 GRD.8.....3 | 3 | -- | 32964 | GASKET,0.00075,GOLD (32810) <i>use with 53236 and 32811; to 5972</i> | |
| 20 | 6036 | WASHER,LOCK, .625 PLTD.....1 | 1 | -- | 32967 | GASKET,PUMP TO DC MTR.(32810) <i>use with 53236 and 32811; to 5972</i> | |
| 21 | 13064 | WASHER,FLAT,.625 HARDENED...5 | 5 | | | | |
| 22 | 6024 | NUT,NYLOCK,5/8-11.....2 | 2 | | | | |
| 23 | 6888 | SCREW,HHC,1/4-20 X 1.....4 | 4 | | | | |
| 24 | 30677 | WELDMENT,HYD TANK MODULE.....1 | 1 | | | | |
| 25 | 6175 | SCREW,HHC,3/8-16 X 1.....4 | 4 | | | | |
| 26 | 5397 | WASHER,FLAT,USS,5/16",Y.....8 | 8 | | | | |
| 27 | | Ref. Ground Controls (refer to Figure 508.1).....8 | 8 | | | | |
| 28 | 6889 | NUT,LP NYLOCK,1/4-20.....2 | 2 | | | | |

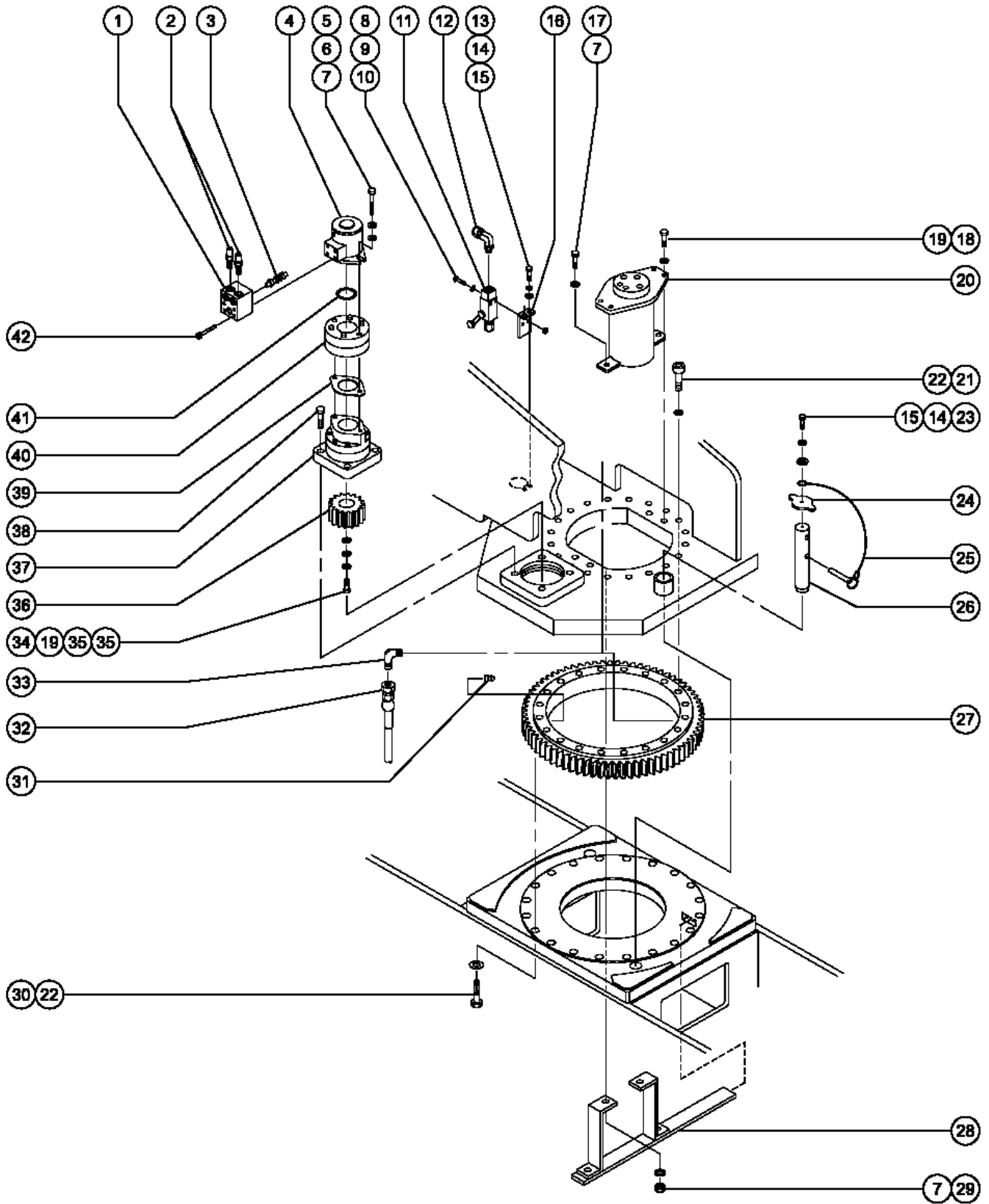
506.1 Function Manifold and Auxiliary Power Unit Installation (continued)

| Item | Part No. | Description | Qty. |
|------|----------|---|------|
| -- | 33455 | PUMP, AUX. POWER UNIT <i>use with 53236 and 32811; to 5972</i> | |
| 32 | 49468 | SCREW,HHC,5/16-18 X 3.25.....2 | |
| 33 | 6782 | NUT,NYLOCK,5/16-18.....2 | |
| 34 | 45543 | VALVE,CHECK, 50 PSI.....1 <i>oscillating models</i> | |
| 35 | 32669 | ORIFICE PLUG,.025 (30551).....1 <i>oscillating models</i> | |
| 36 | 33946 | VALVE,FLOW REGULATOR 2 GPM.....1 <i>oscillating models</i> | |
| 37 | 49036 | MANIFOLD,STR/OSC. S40.....1 <i>includes index numbers 34 through 36 and 38 through 40; oscillating models; Complete to SN 5641</i> | |
| -- | 81030 | MANIFOLD,STR/OSC, S40.....1 <i>includes index numbers 34 through 36 and 38 through 40; oscillating models; Complete from SN 5642</i> | |
| 38 | 48684 | VALVE, SOLENOID, 10V.....1 <i>includes index numbers 39 and 40; oscillating models; to SN 5641</i> | |
| -- | 43609 | VALVE,SOLENOID,10V W/DOIDE.....1 <i>includes index numbers 39 and 40; oscillating models; from SN 5642</i> | |
| 39 | 29744 | COIL,10V.....2 <i>oscillating models; to SN 5641</i> | |
| -- | 81044 | COIL,SOLENOID,10DSD 10V,W/DIOD.....2 <i>oscillating models; from SN 5642</i> | |
| 40 | 52943 | NUT-SOLENOID VALVE (52885).....1 <i>oscillating models</i> | |

506.1 Function Manifold and Auxiliary Power Unit Installation
(continued)

This Page Intentionally Left Blank

507.1 Turntable Rotator and Hydraulic Rotary Coupler Installation



507.1 Turntable Rotator and Hydraulic Rotary Coupler Installation

| Item | Part No. | Description | Qty. | Item | Part No. | Description | Qty. |
|------|----------|--|------|------|------------|---|------|
| 1 | 102680 | MANIFOLD,TURNTABLE ROTATION***1 <i>includes index numbers 2 and 3</i> | 1 | -- | 49529 | SEAL KIT,SWIVEL (48542) <i>to SN 5993</i> | |
| 2 | 40983 | VALVE,COUNTERBALANCE,1500 PSI.....2 <i>for manifold 81366</i> | 2 | -- | 73895 | HYDRAULIC SWIVEL,9 PORT***1 <i>from SN 5994</i> | |
| 3 | 45483 | VALVE,SHUTTLE***1 <i>for manifold 81366</i> | 1 | -- | 75466 | SEAL KIT,SWIVEL (73895) <i>from SN 5994</i> | |
| 4 | 58958 | MOTOR,SWING DRIVE (53147)....1 | 1 | 21 | 45495 | SCREW,SHC,5/8-11 X 3.00,A574.....20 | 20 |
| -- | 62081 | SEAL KIT, 58958 SWING MOTOR.....1 | 1 | 22 | 13064 | WASHER,FLAT,.625 HARDENED.....40 | 40 |
| -- | 75684 | MOTOR,TURNTABLE ROTATION*** <i>for TT swing drive 89885</i> | | 23 | 7339 | SCREW,HHC,1/4-20 X .5.....1 <i>to SN 5489</i> | 1 |
| -- | 75685 | SEAL KIT,MOTOR TURNTABLE*** <i>for TT swing drive 89885</i> | | -- | 6090 | SCREW,HHC,1/4-20 X .7.....1 <i>from SN 5490</i> | 1 |
| 5 | 7261 | SCREW,HHC,1/2-13 X 5 BLACK....2 | 2 | 24 | 73894 | PLATE,PIN RETAINER.....1 <i>from SN 5490 to 6207</i> | 1 |
| 6 | 6033 | WASHER,LOCK,0.5".....2 | 2 | -- | 89064 | PLATE,PIN RETAINER.....1 <i>from SN 6208</i> | 1 |
| 7 | 13066 | WASHER,FLAT,.5 HARDENED.....6 | 6 | 25 | 11637 | PIN ASSY, RETAINER, SS I & II.....1 | 1 |
| 8 | 22541 | SCREW,RHM,10-32 X 1.5.....2 | 2 | 26 | 32731 | PIN ASSEMBLY,TURNTBLE ROTATION.....1 <i>includes one each index numbers 14, 15, 23, and 25</i> | 1 |
| 9 | 6607 | WASHER,LOCK,#10 PLTD.....2 | 2 | -- | 73841 | PIN,ROTATION STOP.....1 <i>from SN 5490 to 6207</i> | 1 |
| 10 | 6178 | NUT,NYLOCK,10-32.....2 | 2 | -- | 89059 | PIN,ROTATION STOP.....1 <i>from SN 6208</i> | 1 |
| 11 | 34961 | SWITCH,LIMIT,W/ROLLER ARM....1 | 1 | 27 | 111648 | BEARING,SERIES 3000.....1 | 1 |
| -- | 19491 | CONTACTOR,LIMIT SWITCH.....1 | 1 | 28 | 49457-S | WLDMT.HYD.,SWIVEL MNT.,S40....1 | 1 |
| -- | 27643 | ROLLER ARM-LIMIT SWITCH.....1 | 1 | 29 | 6198 | NUT,NYLOCK,1/2-13.....2 | 2 |
| 12 | 29382 | CONN. SQZ,1/2NPT .38-.50,90DEG.....1 | 1 | 30 | 21175 | SCREW,SHC,5/8-11 X 4,A574.....20 | 20 |
| 13 | 6090 | SCREW,HHC,1/4-20 X .7.....2 | 2 | 31 | 28646 | ZERK,GREASE,1/8 NPT.....1 | 1 |
| 14 | 6356 | WASHER,LOCK,.25.....3 | 3 | 32 | 49176-2779 | HOSE ASSEMBLY,1/4".....1 | 1 |
| 15 | 6638 | WASHER,FLAT,USS,1/4"Y.....3 | 3 | 33 | 48887 | ELBOW,90D, 070202-4.....1 | 1 |
| 16 | 30783P-S | LIMIT SWITCH BRKT,DRIVE,PAINT.....1 | 1 | 34 | 6175 | SCREW,HHC,3/8-16 X 1.....1 | 1 |
| 17 | 6096 | SCREW,HHC,1/2-13 X 2 GR5.....2 | 2 | 35 | 24039 | WASHER,3/8 PLATE (3/8X2X3/16TK.....1 | 1 |
| 18 | 6019 | SCREW,HHC,3/8-16 X 1.25 GRD 5.....4 | 4 | 36 | 75677 | SHAFT,OUTPUT,PINION,TURNTABLE <i>for TT swing drive 89885</i> | |
| 19 | 6021 | WASHER,LOCK,.375.....4 | 4 | -- | 31493 | PINION GEAR <i>for torque hub 94920</i> | |
| 20 | 44367 | HYD SWIVEL,7 PORT,S40/60.....1 <i>to SN 1423</i> | 1 | 37 | 89885 | SWING DRIVE ASSEMBLY,S40/Z60 | |
| -- | 44341P | BAR,HYD.SWIVEL MOUNT PAINTED <i>to SN 1423</i> | | -- | 58916 | SEAL,SHAFT.....1 <i>for torque hub 94920</i> | 1 |
| -- | 44611 | SEAL KIT,SWIVEL (44367) <i>to SN 1423</i> | | -- | 94920 | TORQUE HUB-SWING***1 <i>not part to 89885; to SN 6029</i> | 1 |
| -- | 48542 | HYDRAULIC SWIVEL,7 PORT,S40.....1 <i>to SN 5993</i> | 1 | | | | |

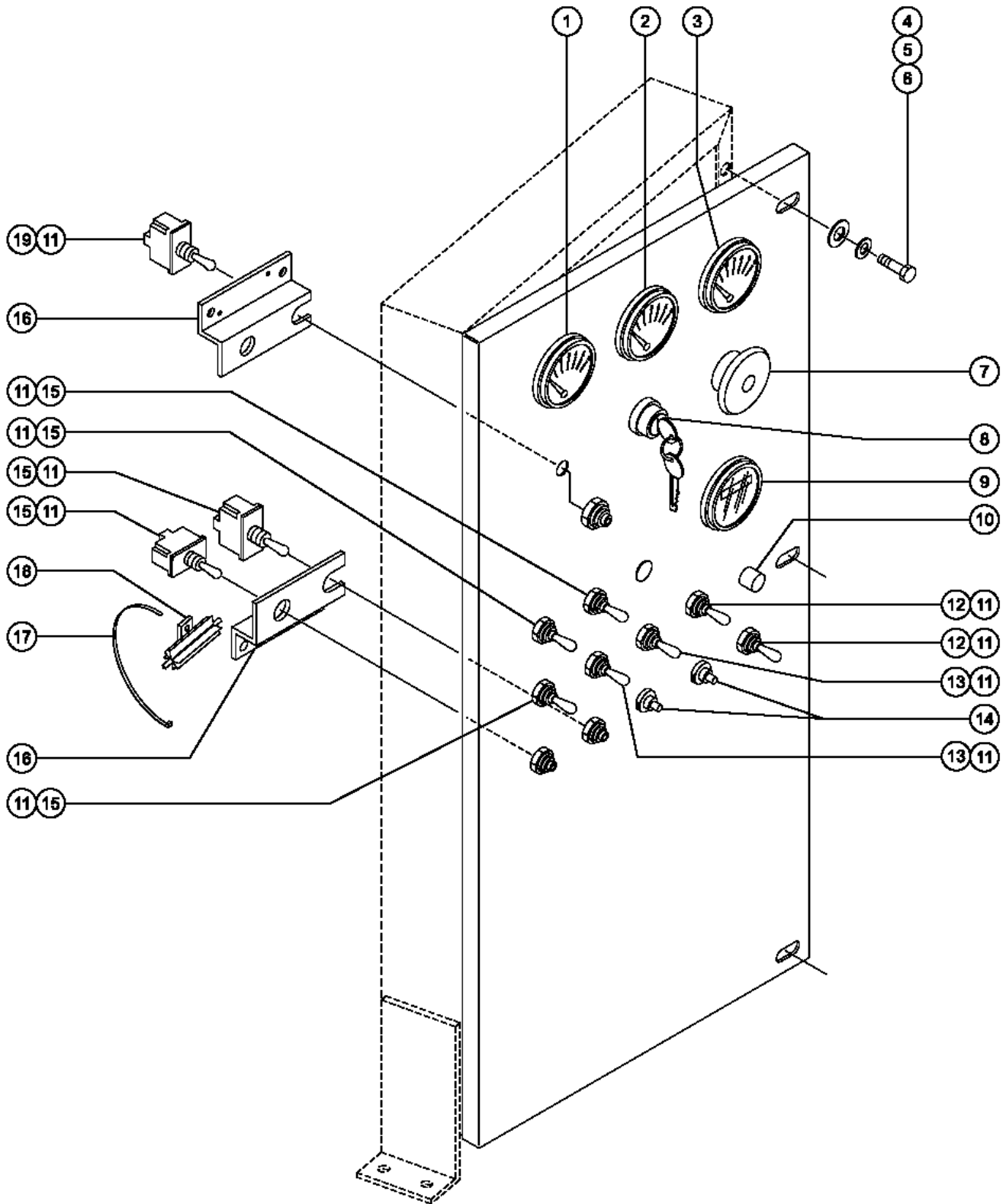
507.1 Turntable Rotator and Hydraulic Rotary Coupler Installation (continued)

| Item | Part No. | Description | Qty. |
|------|----------|--|------|
| 38 | 19418 | SCREW,SHC,5/8-11 X 1.75.....4 <i>to SN 5369</i> | 4 |
| -- | 73860 | SCREW,SHC,5/8-11X1.75 GR 5 ZIN.....4 <i>from SN 5370</i> | 4 |
| 39 | 52087 | O-RING,2-044 BUNA.....1 <i>for TT swing drive 34425</i> | 1 |
| -- | 43683 | O-RING,2-042 N674-70*** <i>for TT swing drive 89885</i> | |
| 40 | 75686 | BRAKE ASSEMBLY,TURNTABLE ROT <i>for TT swing drive 89885</i> | |
| -- | 29291 | SEAL KIT,MICO.....1 <i>for brake Mico 41915</i> | 1 |
| -- | 31500 | BEARING KIT,MICO.....1 <i>for brake Mico 41915</i> | 1 |
| -- | 31502 | SPRING KIT,MICO.....1 <i>for brake Mico 41915</i> | 1 |
| -- | 58915 | LINING REPAIR KIT (41915).....1 | 1 |
| -- | 62466 | SEAL KIT,BRAKE,TURNTABLE ROT <i>for brake 75686</i> | |
| -- | 65608 | BEARING KIT, AUSCO*** <i>for brake 73918</i> | |
| -- | 73918 | BRAKE,SWING,2800 IN/LB | |
| -- | 75658 | LINING KIT,AUSCO (73918)*** | |
| -- | 75659 | SEAL KIT, AUSCO (73918) | |
| -- | 75682 | DISC KIT DRIVE TURNTABLE Z-60* <i>for brake 75686</i> | |
| -- | 75683 | SPRING,DRIVE TURNTABLE <i>for brake 75686</i> | |
| 41 | 22811 | O-RING,MOTOR TO BRAKE.....1 <i>for TT swing drive 34425</i> | 1 |
| 42 | 37929 | SCREW,SHS,5/16-18 X 3.25.....4 <i>to SN 6029</i> | 4 |
| -- | 41489 | SCREW,SHC,5/16-18 X 2,PLATED <i>for TT swing drive 89885</i> | |

507.1 Turntable Rotator and Hydraulic Rotary Coupler Installation
(continued)

This Page Intentionally Left Blank

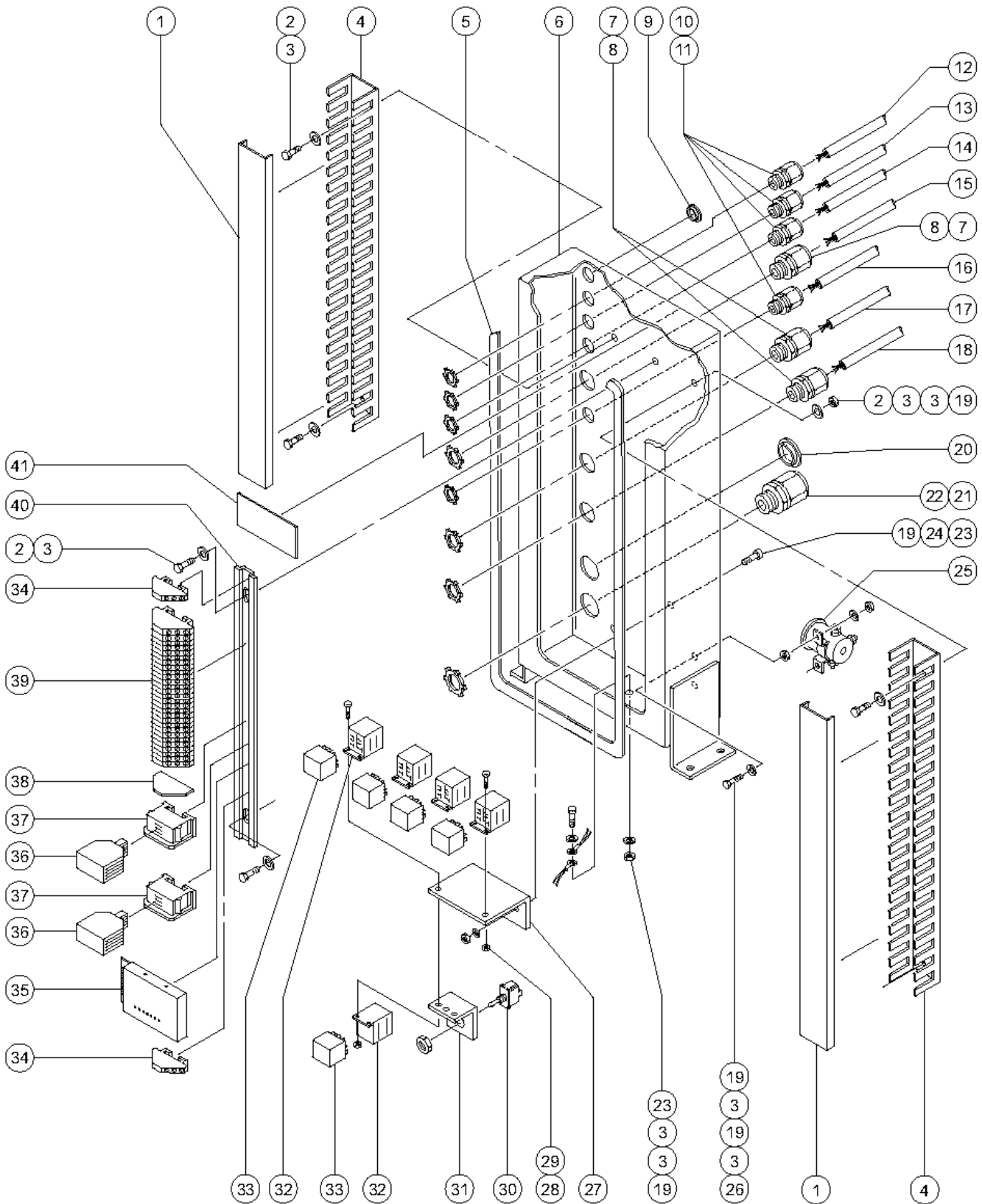
508.1 Ground Controls - View 1



508.1 Ground Controls - View 1

| Item | Part No. | Description | Qty. | Item | Part No. | Description | Qty. |
|------|----------|---|------|--|----------|---|------|
| 1 | 53759-S | GAUGE,WATER TEMP.....1 <i>includes mounting bracket and fasteners; Gasoline/LPG models</i> | 1 | -- | 54692 | SPACER,NYLON,.718 X .526 X.219.....3 1 | 3 |
| -- | 53760-S | GAUGE,OIL TEMP.....1 <i>includes mounting bracket and fasteners; Diesel models</i> | 1 | 13 | 128204-S | SWITCH TOGGLE ASSY SPDT 2P MNT.....2 <i>includes mounting fasteners; Gasoline/LPG Models</i> | 2 |
| 2 | 53758-S | GAUGE,OIL PRESSURE W/O SENDER.....1 <i>includes mounting bracket and fasteners</i> | 1 | -- | 45384 | PLUG,NYLON .50 BLACK DOMED.....2 <i>Diesel models</i> | 2 |
| 3 | 53761-S | GAUGE,VOLTAGE.....1 <i>includes mounting bracket and fasteners</i> | 1 | -- | 54692 | SPACER,NYLON,.718 X .526 X.219.....2 | 2 |
| 4 | 6090 | SCREW,HHC,1/4-20 X .7.....3 | 3 | 14 | 147094 | ASSY, CIRCUIT BREAKER 15A....2 <i>includes mounting fasteners</i> | 2 |
| 5 | 6356 | WASHER,LOCK,.25.....3 | 3 | 15 | 128202 | SWITCH TOGGLE ASSY DPDT 3P MOM.....5 <i>includes mounting fasteners</i> | 5 |
| 6 | 6638 | WASHER,FLAT,USS,1/4"Y.....3 | 3 | -- | 54692 | SPACER,NYLON,.718 X .526 X.219.....5 | 5 |
| 7 | 122514 | KIT,ESTOP SVC BB&SM BOOM....1 <i>includes parts 66812, 66818 and 66821</i> | 1 | 16 | 53820 | BRACKET, PANEL WIRE MOUNTING.....2 | 2 |
| -- | 146478 | BOOT(BELLOWS),E-STOP,BLACK | | 17 | 21121 | CABLE TIE,4" BLK,HEAT RESISTNT.....2 | 2 |
| -- | 66812 | E-STOP BUTTON.....1 | 1 | 18 | 27287 | RESISTOR,10 OHM,25 WATT.....1 | 1 |
| -- | 66818 | CONTACT,NC.....1 | 1 | 19 | 128201 | SWITCH TOGGLE ASSY DPDT 2P MOM.....1 <i>includes mounting fasteners</i> | 1 |
| -- | 66821 | BASE,WITHOUT CONTACTS.....1 | 1 | Footnotes | | | |
| 8 | 122512 | KIT,KEYSWITCH SVC BB & SM BOOM.....1 <i>includes parts 66811, 66821, 66816 and 122366</i> | 1 | 1: Quantity listed may not reflect specific model configuration requirements. | | | |
| -- | 122366 | KEYSWITCH,CONTACTS LOCK....1 | 1 | | | | |
| -- | 66811 | KEYSWITCH,3POS.MNTND.DR WKEY**1 | 1 | | | | |
| -- | 66816 | CONTACT,N.O.**1 | 1 | | | | |
| -- | 66821 | BASE,WITHOUT CONTACTS.....1 | 1 | | | | |
| 9 | 19506 | HOUR METER,10-80 VOLTS***.....1 <i>includes mounting bracket</i> | 1 | | | | |
| 10 | 56298 | LIGHT,INDICATOR,RED,14V***.....1 <i>Gasoline/LPG models</i> | 1 | | | | |
| -- | 128200 | SWITCH TOGGLE ASSY SPDT 3P MOM.....1 | 1 | | | | |
| -- | 56848 | WASHER,LOCK,IND,LAMP RETAINER.....1 | 1 | | | | |
| 11 | 27246 | BOOT,TOGGLE SWITCH,SHORT*.....9 1 | 9 | | | | |
| 12 | 128200 | SWITCH TOGGLE ASSY SPDT 3P MOM.....3 1 <i>includes mounting fasteners</i> | 3 | | | | |

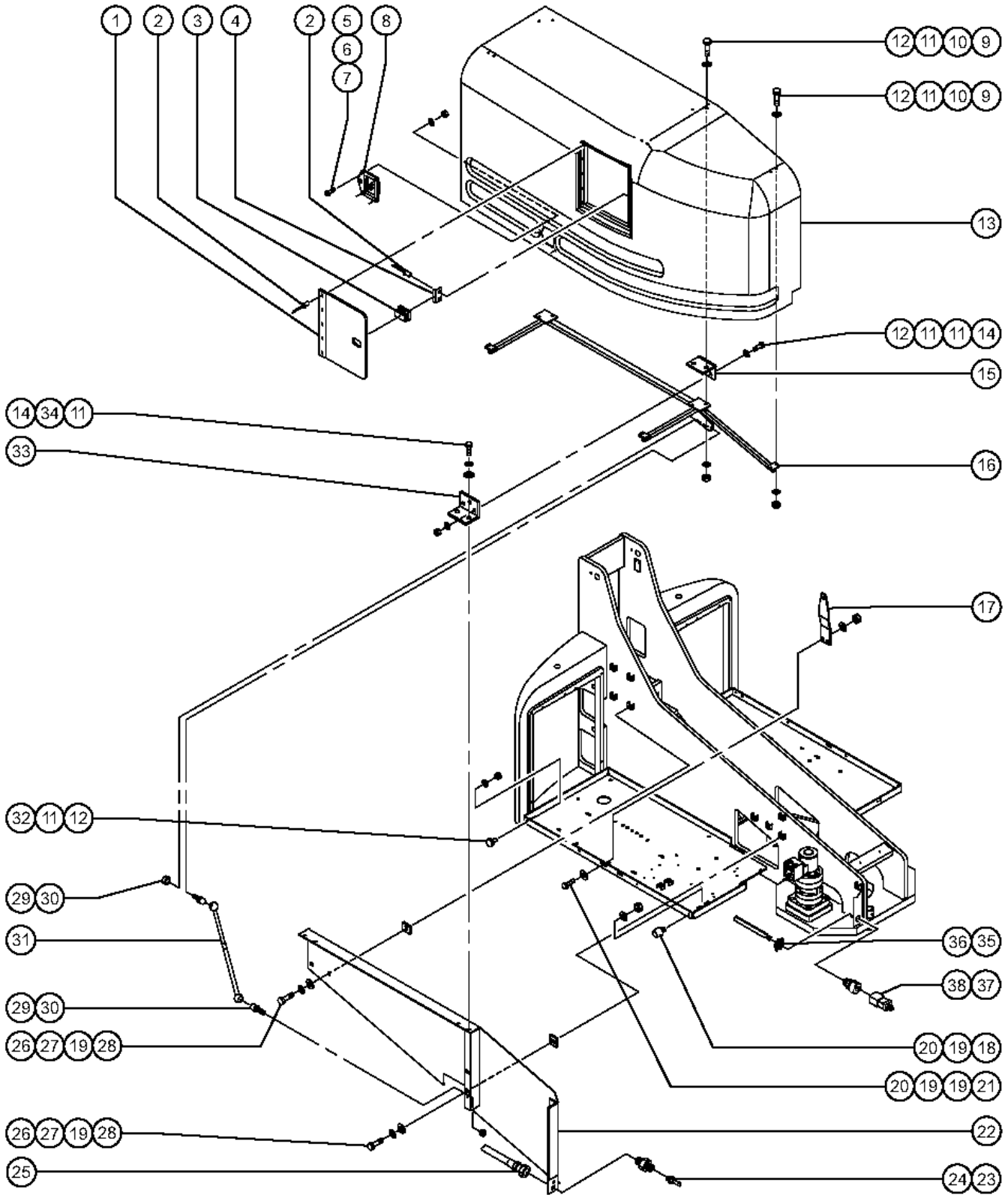
509.1 Ground Controls - View 2



509.1 Ground Controls - View 2

| Item | Part No. | Description | Qty. | Item | Part No. | Description | Qty. |
|------|----------|-------------------------------------|------|------|----------|---|------|
| -- | 33996 | SCREWDRIVER,TERMINAL BLOCK | | 26 | 6090 | SCREW,HHC,1/4-20 X .7..... | 3 |
| 1 | 28299 | COVER,WIRING DUCT, 1.5..... | 2 | 27 | 34057P-S | ANGLE,RELAY MOUNTING,PAINTED..... | 1 |
| 2 | 8914 | SCREW,HHC,1/4-20 X .625..... | 7 | | | <i>Gasoline/LPG models</i> | |
| 3 | 6356 | WASHER,LOCK,.25..... | 8 | 28 | 6178 | NUT,NYLOCK,10-32..... | 10 |
| 4 | 28298 | WIRING DUCT, 1.5 X 1.5..... | 2 | 29 | 6606 | SCREW,RHM,10-32 X .75..... | 10 |
| 5 | 30782 | GASKET,GROUND CONTROL BOX..... | 1 | 30 | 128201 | SWITCH TOGGLE ASSY DPDT 2P MOM..... | 1 |
| 6 | 52645 | GROUND CNTRL BOX W/DECALS S-40..... | 1 | | | <i>includes mounting fasteners; Gasoline/LPG models</i> | |
| -- | 23404 | NUTSERT,1/4-20,STEEL CAD PLTD..... | 1 | 31 | 49743 | BRACKET,TOGGLE SWITCH..... | 1 |
| 7 | 12960 | CABLE SQUEEZE CONN.,XTRA LRG..... | 3 | 32 | 34053 | ASSY,RELAY SOCKET,AUTO***..... | 4 |
| 8 | 14041 | LOCKNUT,ELECTRIC,3/4"..... | 3 | | | <i>Gasoline/LPG models; terminals not included</i> | |
| 9 | 15243 | PLUG,NYLON .875 BLACK DOMED..... | 1 | -- | 34053 | ASSY,RELAY SOCKET,AUTO***..... | 4 |
| 10 | 7056 | CONN,SQUEEZE,1/2NPT .38-.50,SM..... | 4 | | | <i>Diesel models; terminals not included</i> | |
| 11 | 6935 | LOCKNUT,ELEC,1/2"..... | 4 | -- | 34055 | TERM RELAY,N-INSULATE 14-16 GA..... | 4 |
| 12 | 1505 | WIRE CABLE,16/2 SJO,BULK..... | 296 | | | TERM,RELAY,N-INSULATE 18-20 GA..... | 4 |
| 13 | 43960 | WIRE CABLE,16GA/4 CON.TPE JKT*..... | 174 | 33 | 34052 | RELAY,SPDT,12V(AUTO) PLUG IN**..... | 4 |
| 14 | 43960 | WIRE CABLE,16GA/4 CON.TPE JKT*..... | 116 | 34 | 25974 | PLASTIC END STOP..... | 2 |
| 15 | 48533 | WIRE CABLE,18GA/19 CON.BNDREX..... | 696 | 35 | 56057 | MODULE,IGNITION/START,12/24V.2 to SN 5381 | |
| 16 | 43955 | WIRE CABLE,12GA/3 CON.TPE JKT*..... | 720 | -- | 56057 | MODULE,IGNITION/START,12/24V.1 from SN 5382 | |
| 17 | 48533 | WIRE CABLE,18GA/19 CON.BNDREX..... | 696 | 36 | 25807 | DIODE BLOCK SUPPRESSION..... | 2 |
| 18 | 35934 | WIRE CABLE 18G/19 CONDUCT***..... | 60 | 37 | 25808 | CARRIER TERMINAL(5 PER BLOCK)..... | 2 |
| 19 | 6091 | NUT,NYLOCK,1/4-20..... | 5 | 38 | 25837 | TERMINAL STRIP END PLATE..... | 1 |
| 20 | 45385 | PLUG,NYLON 1.12 BLACK DOMED..... | 1 | 39 | 32637 | TERMINAL BLOCK,WAGO..... | 44 |
| 21 | 20776 | CABLE SQUEEZE CONN..... | 1 | -- | 32638 | TERMINAL BLOCK,WAGO..... | 2 |
| 22 | 18665 | LOCKNUT,ELECTRIC,1" NPT..... | 1 | 40 | 28310 | DIN RAIL,23.75"..... | 1 |
| 23 | 6888 | SCREW,HHC,1/4-20 X 1..... | 5 | 41 | 30997 | CORROSION INHIBITOR,FOAM..... | 1 |
| 24 | 6638 | WASHER,FLAT,USS,1/4"Y..... | 5 | -- | 88832 | HARNES,PLUG,NON-LOAD WEIGHING | |
| 25 | 27155 | SOLENOID,12V CONTINUOUS***..... | 1 | | | | |

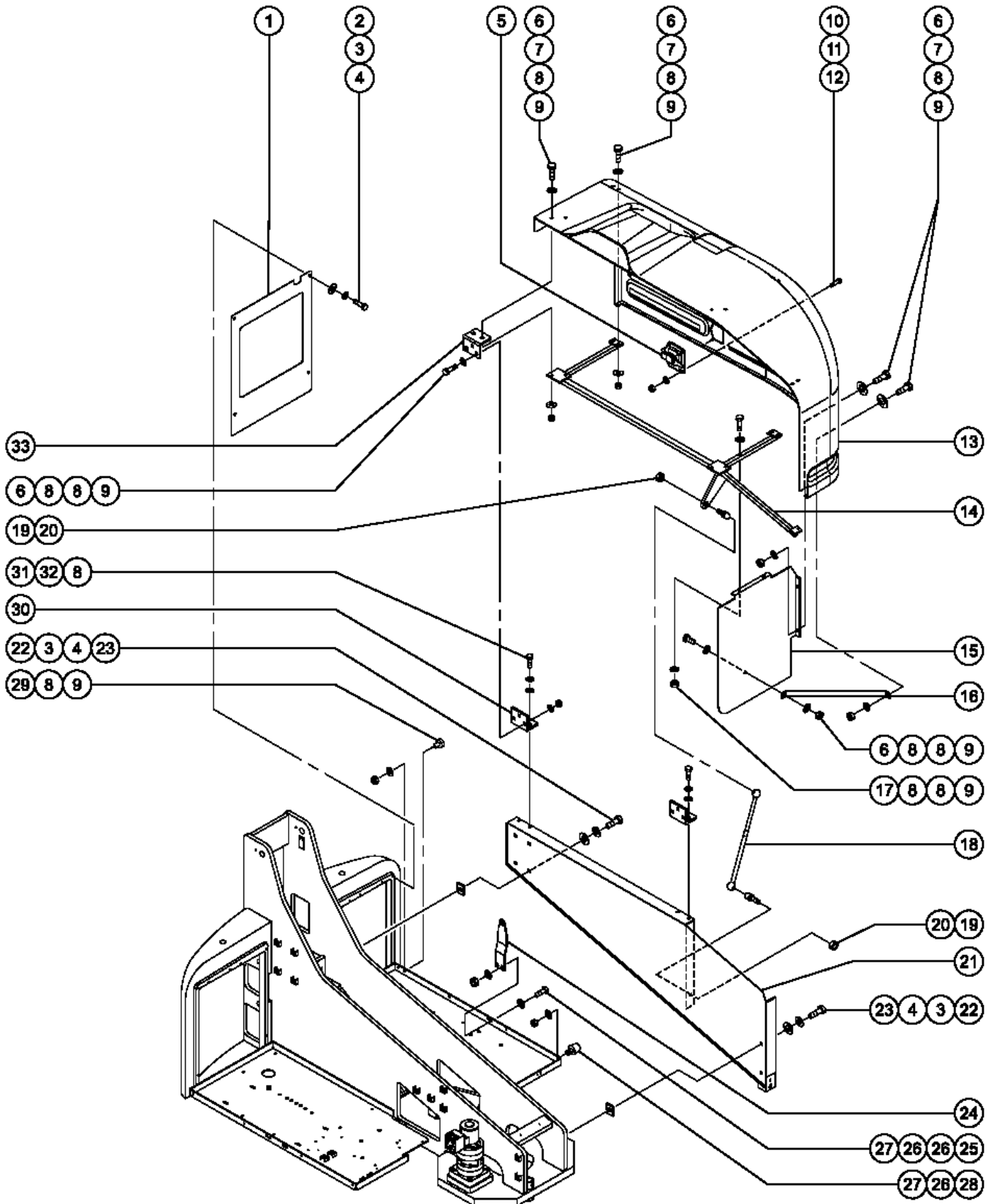
510.1 Turntable Covers, View 1



510.1 Turntable Covers, View 1

| Item | Part No. | Description | Qty. | Item | Part No. | Description | Qty. |
|------|----------|---|------|--|------------|---|------|
| 1 | 52651 | COVER-HINGED, GRND CNTRL.....1 <i>includes index numbers 2 and 3</i> | | 24 | 30430 | BULKHEAD,FEMALE X 4.....1 | |
| 2 | 7265 | RIVET,STEEL,P, .25 X .375.....7 | | 25 | 49176-2779 | HOSE ASSEMBLY,1/4".....1 | |
| 3 | 30468 | LATCH,SLIDE, FLUSH MOUNT STYLE.....1 <i>includes mounting fasteners</i> | | 26 | 6019 | SCREW,HHC,3/8-16 X 1.25 GRD 5.....10 | |
| 4 | 49534 | DOOR LATCH,BASE CONTROL BOX.....1 | | 27 | 6021 | WASHER,LOCK, .375.....15 | |
| 5 | 49816 | SCREW,PHILLIPS,PHM,10-32 X .75.....4 | | 28 | 29868 | SPRING CLIP,3/8-16.....6 | |
| 6 | 6146 | WASHER,FLAT,MS,#10,Y.....4 | | 29 | 33555 | BALL STUD**.....2 | |
| 7 | 6178 | NUT,NYLOCK,10-32.....4 | | 30 | 6002 | NUT,LP NYLOCK,5/16-18.....2 | |
| 8 | 28125 | LATCH,FLUSH CUP***.....1 <i>to SN 1819</i> | | 31 | 27377 | RETAINER,GAS SPRING***.....1 | |
| -- | 29314 | KEY,LATCH, 1 PAIR (28125).....1 | | 31 | 33556 | STRUT,GAS W/RETAINING SPRING.....1 | |
| -- | 49536 | LATCH,TURNTABLE FLUSH STYLE.....1 <i>from SN 1820 to 4024</i> | | -- | 27377 | RETAINER,GAS SPRING***.....1 | |
| -- | 53903 | LATCH,T-HANDLE,5 SIDED W/KEYS*.....1 <i>from SN 4025</i> | | 32 | 36388 | BUMPER,RUBBER,.75 X .50H,STUD.....1 | |
| 9 | 8915 | SCREW,HHC,1/4-20 X 1.25.....16 | | 33 | 35949P-S | BRACKET,COVER HINGE,BLUE....2 | |
| 10 | 12906 | WASHER,FENDER,.25 X 1.25 X.062.....10 | | 34 | 6356 | WASHER,LOCK,.25.....4 | |
| 11 | 6638 | WASHER,FLAT,USS,1/4"Y.....28 | | 35 | 6935 | LOCKNUT,ELEC,1/2".....1 | |
| 12 | 6091 | NUT,NYLOCK,1/4-20.....16 | | 36 | 43956 | WIRE CABLE,14GA/3 CON.TPE JKT* | |
| 13 | 65477 | COVER ASSY W/DECALS,L.H. BB.....1 <i>includes index numbers 1 through 8</i> | | 37 | 6595 | PLUG,ELECTRICAL,DOMESTIC....1 | |
| -- | 52440 | COVER ASSY W/DECALS,LH B/B SQ.....1 <i>includes index numbers 1 through 8</i> | | -- | | FUSE,13 AMP,220V PLUG.....1 <i>(component no longer available) refer to BS1362 BUSS TDC180-13A</i> | |
| 14 | 6888 | SCREW,HHC,1/4-20 X 1.....6 | | -- | 119404 | CONN,RECEP 120AC/15A DOMESTIC.....1 | |
| 15 | 75073 | HINGE,.375X.120THK.,SLOTTED...2 | | -- | 12153 | PLUG,16 AMP,3 PIN,(BRITISH)UK.....1 | |
| 16 | 49532-S | COVER,SUPPORT WELDMNT,LH.....1 | | -- | 25388 | PLUG,FUSED,250V,13AMP,U.K.**...1 | |
| 17 | 49535P-S | PLATE,LATCH,BLUE,PAINTED.....1 | | -- | 6666 | PLUG,ELECTRICAL,220/50,NOVON.1 | |
| 18 | 30973 | BUMPER,RUBBER-1 X 1.25.....2 | | 38 | 7056 | CONN,SQUEEZE,1/2NPT .38-.50,SM.....1 | |
| 19 | 5397 | WASHER,FLAT,USS,5/16",Y.....6 | | Footnotes | | | |
| 20 | 6782 | NUT,NYLOCK,5/16-18.....4 | | 1: Hose End - Female, Swivel, JIC (Parker No. 10643-4), Hose End - Female, Swivel, 90°, JIC (Parker No. 13943-4) and Hose, 1/4 inch (Parker No. 451TC-4) | | | |
| 21 | 13002 | SCREW,HHC,5/16-18 X 1 GR5.....2 | | | | | |
| 22 | 30743-S | COVER SUPPORT WELDMNT LH.....1 | | | | | |
| 23 | 28646 | ZERK,GREASE,1/8 NPT.....1 | | | | | |

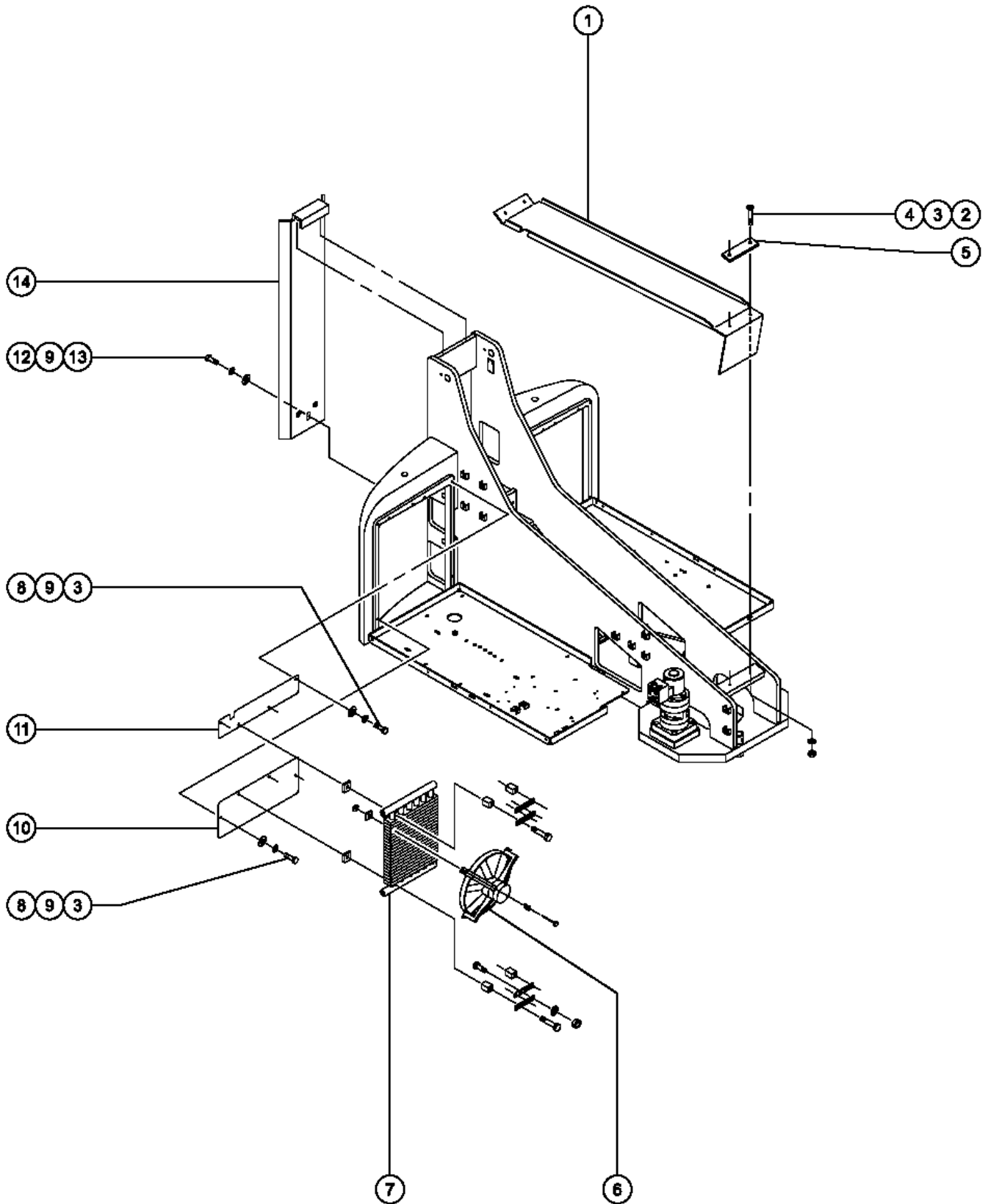
511.1 Turntable Covers, View 2



511.1 Turntable Covers, View 2

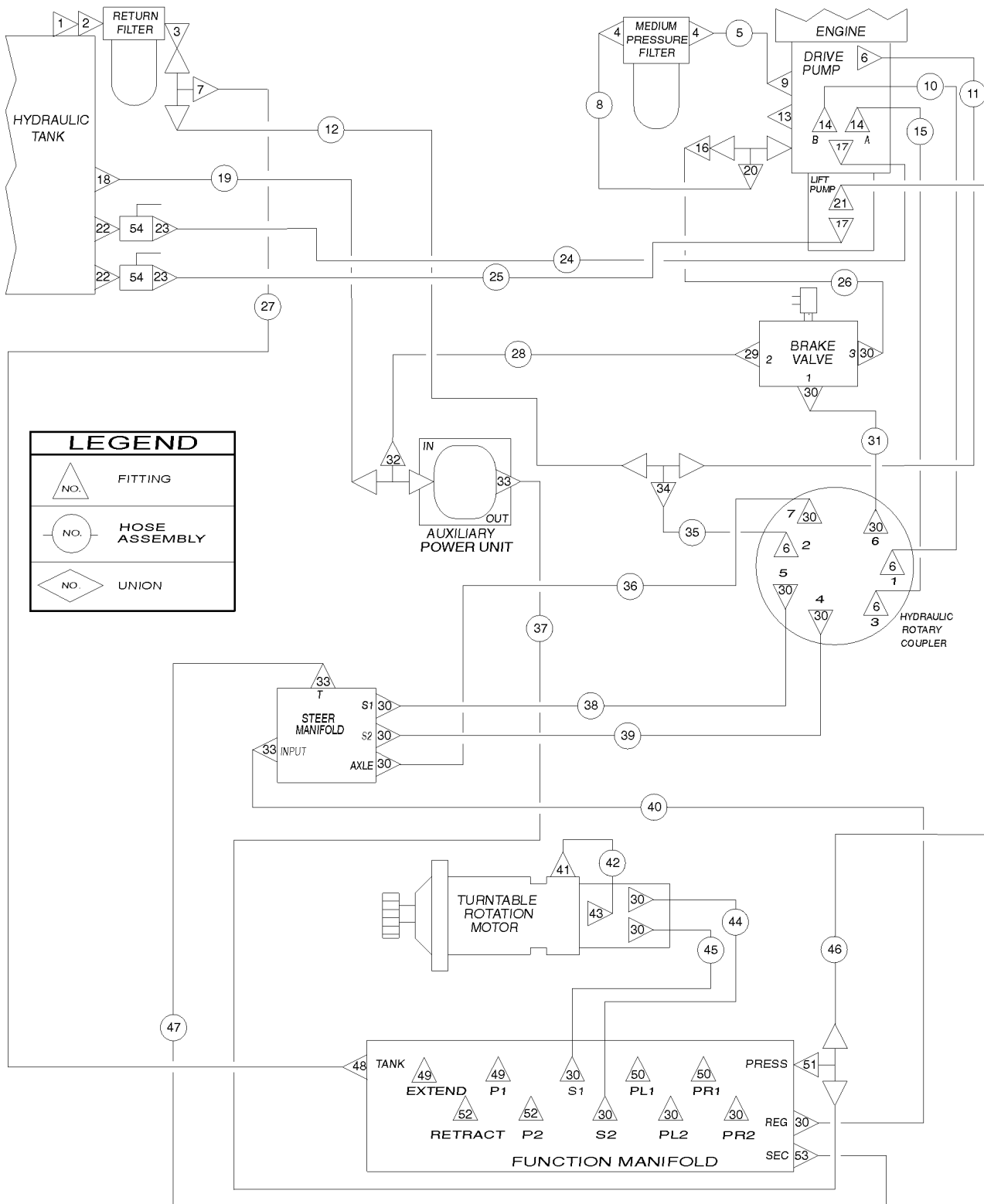
| Item | Part No. | Description | Qty. | Item | Part No. | Description | Qty. |
|------|----------|---|------|------|----------|--|------|
| 1 | 53078P-S | BAFFLE,AIR,FORD,PAINTED.....1 <i>Gasoline/LPG models</i> | 1 | 16 | 30894P-S | SHROUD SUPPORT,PAINTED GRAY.....1 <i>Gasoline/LPG models</i> | 1 |
| -- | 53079P-S | BAFFLE,AIR,DEUTZ,PAINTED GRAY.....1 <i>Diesel models</i> | 1 | 17 | 6637 | SCREW,HHC,1/4-20 X 1.75.....2 | 2 |
| 2 | 8255 | SCREW,HHC,3/8-16 X .75.....5 | 5 | 18 | 33556 | STRUT,GAS W/RETAINING SPRING.....1 | 1 |
| 3 | 6021 | WASHER,LOCK, .375.....14 | 14 | -- | 27377 | RETAINER,GAS SPRING***.....1 | 1 |
| 4 | 6097 | WASHER,FLAT,USS,3/8",Y.....11 | 11 | 19 | 6002 | NUT,LP NYLOCK,5/16-18.....2 | 2 |
| 5 | 28125 | LATCH,FLUSH CUP***.....1 <i>to SN 1819</i> | 1 | 20 | 33555 | BALL STUD**.....2 | 2 |
| -- | 29314 | KEY,LATCH, 1 PAIR (28125).....1 | 1 | 21 | 30744-S | COVER SUPPORT WELDMENT RH.....1 | 1 |
| -- | 49536 | LATCH,TURNTABLE FLUSH STYLE.....1 <i>from SN 1820 to SN 4024</i> | 1 | 22 | 6019 | SCREW,HHC,3/8-16 X 1.25 GRD 5.....6 | 6 |
| -- | 53903 | LATCH,T-HANDLE,5 SIDED W/KEYS*.....1 <i>from SN 4025</i> | 1 | 23 | 29868 | SPRING CLIP,3/8-16.....6 | 6 |
| 6 | 8915 | SCREW,HHC,1/4-20 X 1.25.....20 | 20 | 24 | 49535P-S | PLATE,LATCH,BLUE,PAINTED.....1 | 1 |
| 7 | 12906 | WASHER,FENDER, .25 X 1.25 X.062.....13 | 13 | 25 | 13002 | SCREW,HHC,5/16-18 X 1 GR5.....2 | 2 |
| 8 | 6638 | WASHER,FLAT,USS,1/4"Y.....35 | 35 | 26 | 5397 | WASHER,FLAT,USS,5/16",Y.....7 | 7 |
| 9 | 6091 | NUT,NYLOCK,1/4-20.....22 | 22 | 27 | 6782 | NUT,NYLOCK,5/16-18.....5 | 5 |
| 10 | 49816 | SCREW,PHILLIPS,PHM,10-32 X .75.....4 | 4 | 28 | 30973 | BUMPER,RUBBER-1 X 1.25.....3 | 3 |
| 11 | 6146 | WASHER,FLAT,MS,#10,Y.....4 | 4 | 29 | 36388 | BUMPER,RUBBER, .75 X .50H,STUD.....1 | 1 |
| 12 | 6178 | NUT,NYLOCK,10-32.....4 | 4 | 30 | 35949P-S | BRACKET,COVER HINGE,BLUE....2 | 2 |
| 13 | 65478 | COVER ASSY W/DECAL,WRD,RH BB.....1 <i>Gasoline/LPG models; includes index numbers 5, 10, 11 and 12</i> | 1 | 31 | 6888 | SCREW,HHC,1/4-20 X 1.....4 | 4 |
| -- | 52441 | COVER ASSY W/DECAL,GAS,RH.....1 <i>Gasoline/LPG models; includes index numbers 5, 10, 11 and 12; to SN 4025</i> | 1 | 32 | 6356 | WASHER,LOCK, .25.....4 | 4 |
| -- | 52443 | COVER ASSY W/DECAL,DIE.RH BIGB.....1 <i>Diesel models; includes index numbers 5, 10, 11 and 12; to SN 4025</i> | 1 | 33 | 75073 | HINGE, .375X.120THK.,SLOTTED...2 | 2 |
| -- | 65478 | COVER ASSY W/DECAL,WRD,RH BB.....1 <i>Diesel models; includes index numbers 5, 10, 11 and 12</i> | 1 | | | | |
| 14 | 53882 | WELDMENT,TT COVER SUPPORT,RH.....1 | 1 | | | | |
| 15 | 49537P-S | SHROUD,LP TANK,PAINTED.....1 <i>Gasoline/LPG models</i> | 1 | | | | |

512.1 Turntable Covers, View 3



| Item | Part No. | Description | Qty. |
|------|----------|---|------|
| -- | 46990 | OIL COOLER(SYNFLEX)S40,60,80 <i>includes index numbers 6 through 11</i> | |
| -- | 53127-S | OIL COOLER KIT,S40 <i>includes index numbers 6 through 11</i> | |
| 1 | 34358P-S | PLATE, SWING COVER, S40/S45..... | 1 |
| 2 | 17712 | SCREW,FHS,3/8-16 X 1.75..... | 2 |
| 3 | 5397 | WASHER,FLAT,USS,5/16",Y..... | 2 |
| 4 | 4828 | NUT,NYLOCK,3/8-16..... | 2 |
| 5 | 34370 | REST PAD,S40,BOOM REST..... | 1 |
| 6 | 63118 | FAN,OIL COOLER***..... | 1 |
| 7 | 22349 | COOLER-HYDRAULIC OIL..... <i>includes hardware</i> | 1 |
| 8 | 8255 | SCREW,HHC,3/8-16 X .75..... | 5 |
| 9 | 6021 | WASHER,LOCK,.375..... | 5 |
| 10 | 53113P-S | COVER PLATE,COUNTERWGHT,PTD..... <i>models with Oil Cooler Option</i> | 1 |
| 11 | 30960P-S | COVER PLT,COUNTERWGHT,PNTD..... <i>models with Oil Cooler Option</i> | 1 |
| 12 | 6175 | SCREW,HHC,3/8-16 X 1..... | 1 |
| 13 | 6097 | WASHER,FLAT,USS,3/8",Y..... | 1 |
| 14 | 52650-S | COVER-FRONT TRNTBLE W/DE S40..... | 1 |

513.1 Hydraulic Hoses and Fittings



513.1 Hydraulic Hoses and Fittings

| Item | Part No. | Description | Qty. | Item | Part No. | Description | Qty. |
|------|------------|---|------|------|------------|---------------------------------------|------|
| -- | 49612 | O-RING KIT (ORFS FITTINGS) | | 21 | 48899 | VALVE,CHK,#10PORT#10MALEORFS.1 | |
| -- | 49613 | PLUG AND CAP KIT-SERVICE,ORFS* | | 22 | 48988 | ELBOW,45D,140339-16.....2 | |
| 1 | 49512 | ELBOW,90DEG,FEM,1"NPT.....1 | | 23 | 48986 | CONN,520102-16.....2 | |
| 2 | 49513 | ADAPTER,PIPE NIPPLE.....1 | | 24 | 49159-3818 | HOSE ASSEMBLY,1".....1 | |
| 3 | 49515 | ELBOW,90D,520202-12-16.....1 | | | | 7 Gasoline models | |
| 4 | 48947 | ELBOW,90D,520220-8-12.....2 | | -- | 49159-3868 | HOSE ASSEMBLY,1".....1 | |
| 5 | 49139-2968 | HOSE ASSEMBLY,1/2".....1 | | | | 7 Diesel models | |
| | | 1 | | 25 | 49159-3518 | HOSE ASSEMBLY,1".....1 | |
| 6 | 48960 | FITTING,CONN,520120-12***.....4 | | | | 7 Gasoline models | |
| 7 | 48964 | FITTING,TEE,RUN,SWIVEL52043212.1 | | -- | 49159-4268 | HOSE ASSEMBLY,1".....1 | |
| 8 | 49138-3266 | HOSE ASSEMBLY,1/2".....1 | | | | 7 Diesel models | |
| | | 2 | | 26 | 49128-2384 | HOSE ASSEMBLY,3/8".....1 | |
| 9 | 48946 | CONN,520120-8-10.....1 | | | | 8 | |
| 10 | 94374-5230 | HOSE ASSY,3/4,90 FEM,STR FEM.....1 | | 27 | 49101-3285 | HOSE ASSEMBLY,5/8".....1 | |
| | | 3 Gasoline models | | | | 9 | |
| -- | 94374-5530 | HOSE ASSY,3/4,90 FEM,STR FEM.....1 | | 28 | 49115-4014 | HOSE ASSEMBLY,1/4".....1 | |
| | | 3 Diesel models | | | | 10 | |
| 11 | 49150-3730 | HOSE ASSY,3/4,90 FEM,STR FEM.....1 | | 29 | 48910 | CONN,070103-4,.030 ORI.....1 | |
| | | 4 | | 30 | 48916 | FITTING,CONN,520120-6.....16 | |
| 12 | 49151-4648 | HOSE ASSY,3/4,STR FEM,STR FEM.....1 | | 31 | 49130-3832 | HOSE ASSEMBLY,3/8".....1 | |
| | | 5 | | | | 11 | |
| 13 | 48998 | NIPPLE,DIAGNOSTIC,#6 PORT***.....1 | | 32 | 48935 | TEE,RUN,520428-8.....1 | |
| | | | | 33 | 48942 | ELBOW,90D,520220-8-6.....3 | |
| 14 | 48977 | CONN,520120-12-16.....2 | | 34 | 48969 | TEE,BULKHEAD,RUN,520958-12....1 | |
| 15 | 94374-5530 | HOSE ASSY,3/4,90 FEM,STR FEM.....1 | | 35 | 49149-3401 | HOSE ASSY,3/4,45 FEM,STR FEM.....1 | |
| | | 5 Gasoline models | | | | 12 | |
| -- | 94374-5930 | HOSE ASSY,3/4,90 FEM,STR FEM**.....1 | | 36 | 49128-4784 | HOSE ASSEMBLY,3/8".....1 | |
| | | 5 Diesel models | | | | 12 | |
| 16 | 48957 | REDUCER,520123-10-6.....1 | | 37 | 49171-2499 | HOSE ASSEMBLY,1/2".....1 | |
| 17 | 48984 | CONN,520120-16.....2 | | | | 13 | |
| 18 | 48922 | CONN,520102-6-6.....1 | | 38 | 49126-3933 | HOSE ASSY,3/8,45 FEM,STR FEM.....1 | |
| 19 | 49135-2089 | HOSE ASSEMBLY,3/8".....1 | | | | 14 | |
| | | 6 | | 39 | 49126-4133 | HOSE ASSY,3/8,45 FEM,STR FEM.....1 | |
| 20 | 48953 | TEE,RUN,520428-10.....1 | | | | 14 | |
| | | | | 40 | 49128-2359 | HOSE ASSEMBLY,3/8".....1 | |
| | | | | | | 14 | |

513.1 Hydraulic Hoses and Fittings
(continued)

| Item | Part No. | Description | Qty. | Item | Part No. | Description | Qty. |
|------|------------|--------------------------------------|------|------|----------|-------------|------|
| 41 | 48905 | CONN,520120-4***..... | 1 | | | | |
| 42 | 49117-1691 | HOSE ASSY,1/4,90 FEM,STR FEM..... | 1 | | | | |
| | | 15 | | | | | |
| 43 | 48904 | ELBOW,90D,520220-4-4..... | 1 | | | | |
| 44 | 49128-2309 | HOSE ASSEMBLY,3/8"..... | 1 | | | | |
| | | 15 | | | | | |
| 45 | 49128-2609 | HOSE ASSEMBLY,3/8"..... | 1 | | | | |
| | | 15 | | | | | |
| 46 | 49158-6433 | HOSE ASSEMBLY, 5/8"..... | 1 | | | | |
| | | 16 | | | | | |
| 47 | 49128-2859 | HOSE ASSEMBLY,3/8"..... | 1 | | | | |
| | | 16 | | | | | |
| 48 | 48950 | ELBOW,90D,520220-10..... | 1 | | | | |
| 49 | 48934 | CONN,LONG,520122-8..... | 2 | | | | |
| 50 | 48917 | CONN,LONG,520122-6..... | 2 | | | | |
| 51 | 48954 | TEE,BRANCH,520429-10..... | 1 | | | | |
| 52 | 48933 | CONN,520120-8***..... | 2 | | | | |
| 53 | 48930 | FITTING,CONN,520120-6-8***..... | 1 | | | | |
| 54 | 48994 | VALVE,BALL,16 MPT-16 FPT***..... | 2 | | | | |
| -- | 28750 | O-RING KIT,FIELD SVC,ALL PROD | | | | | |
| -- | 33994 | PLUG AND CAP KIT-SERVICE,37°*** | | | | | |

513.1 Hydraulic Hoses and Fittings
(continued)

| Item | Part No. | Description | Qty. | Item | Part No. | Description | Qty. |
|------|----------|-------------|------|------|----------|-------------|------|
|------|----------|-------------|------|------|----------|-------------|------|

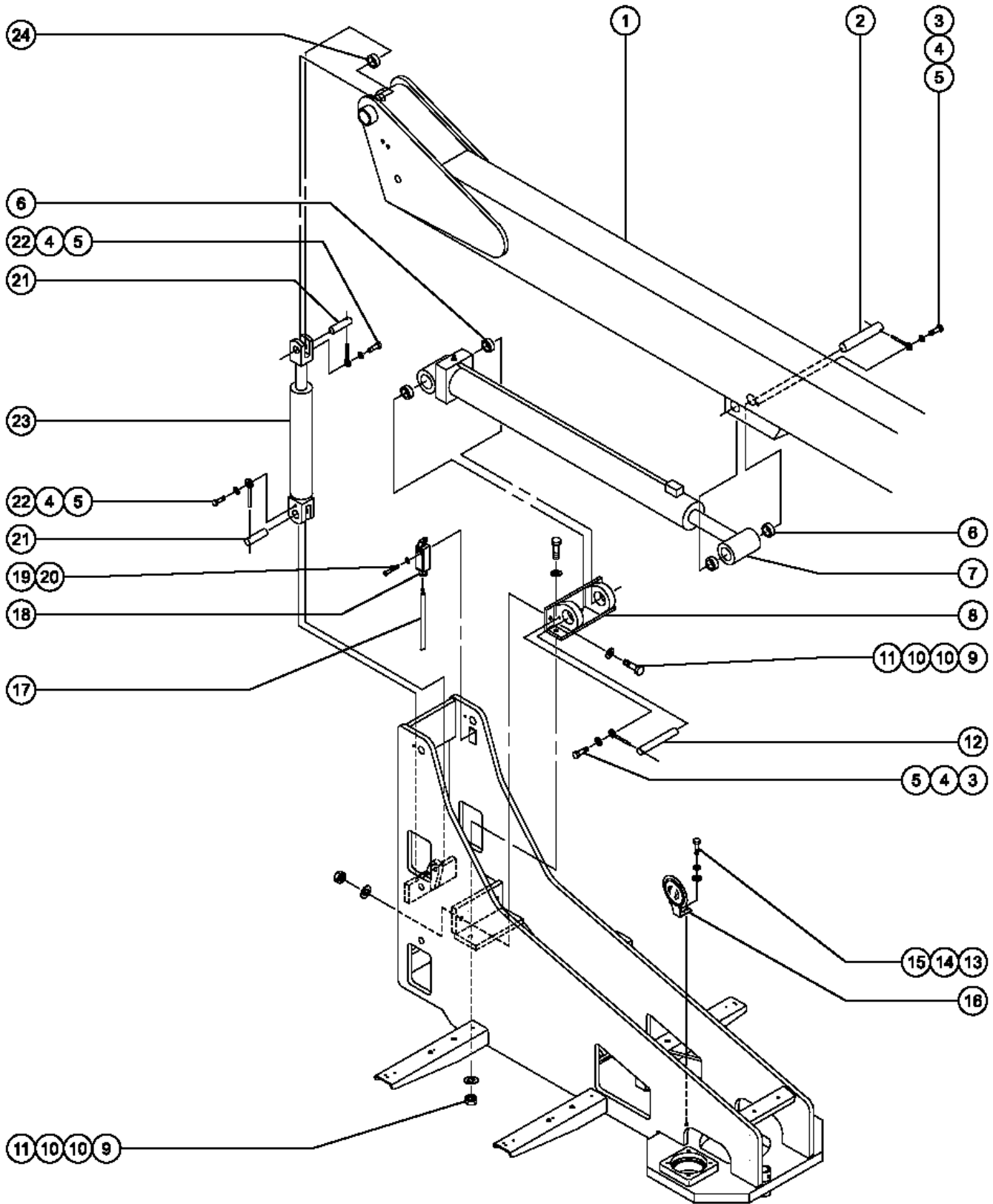


513.1 Hydraulic Hoses and Fittings
(continued)

| Item | Part No. | Description | Qty. | Item | Part No. | Description | Qty. |
|------------------|------------|--|------|------------|----------|--|------|
| Footnotes | | | | | | | |
| | 1: | Hose End - Female, Swivel, ORFS (Parker No. 1JC43-8), Hose End - Female, Swivel, 45°, ORFS (Parker No. 1J743-10-8) and Hose, 1/2 inch (Parker No. 451TC-8) | | 11: | | Hose End - Female, Swivel, ORFS (Parker No. 1JC43-6), Hose End - Female, Swivel, ORFS (Parker No. 1JC43-6) and Hose, 3/8 inch (Parker No. 451TC-6) | |
| | 2: | Hose End - Female, Swivel, ORFS (Parker No. 1JC43-8), Hose End - Female, Swivel, 90°, Med., ORFS (Parker No. 1J543-8) and Hose, 1/2 inch (Parker No. 451TC-8) | | 12: | | Hose End - Female, Swivel, ORFS (Parker No. 1JC43-12), Hose End - Female, Swivel, 45°, ORFS (Parker No. 1J743-12) and Hose, 3/4 inch (Parker No. 481-12) | |
| | 3: | Hose End - Female, Swivel, ORFS (Parker No. 1JC71-12), Hose End - Female, Swivel, 90°, ORFS (Parker No. 1J971-12) and Hose, 3/4 inch (Parker No. 772-12) | | 13: | | Hose End - Female, Swivel, ORFS (Parker No. 1JC43-8), Hose End - Female, Swivel, 90°, ORFS (Parker No. 1J943-10-8) and Hose, 1/2 inch (Parker No. 451TC-8) | |
| | 4: | Hose End - Female, Swivel, ORFS (Parker No. 1JC43-12), Hose End - Female, Swivel, 90°, ORFS (Parker No. 1J943-12) and Hose, 3/4 inch (Parker No. 481-12) | | 14: | | Hose End - Female, Swivel, ORFS (Parker No. 1JC43-6), Hose End - Female, Swivel, 45°, ORFS (Parker No. 1J743-6) and Hose, 3/8 inch (Parker No. 451TC-6) | |
| | 5: | Hose End - Female, Swivel, ORFS (Parker No. 1JC43-12), Hose End - Female, Swivel, ORFS (Parker No. 1JC43-12) and Hose, 3/4 inch (Parker No. 481-12) | | 15: | | Hose End - Female, Swivel, ORFS (Parker No. 1JC43-4), Hose End - Female, Swivel, 90°, ORFS (Parker No. 1J943-4) and Hose, 1/4 inch (Parker No. 451TC-4) | |
| | 6: | Hose End - Female, Swivel, ORFS (Parker No. 1JC43-6), Hose End - Female, Swivel, ORFS (Parker No. 1JC43-8-6) and Hose, 3/8 inch (Parker No. 451TC-6) | | 16: | | Hose End - Female, Swivel, Straight, ORFS (Parker No. 1JC43-10), Hose End - Female, Swivel, 90°, ORFS (Parker No. 1J943-10) and Hose, 5/8 inch (Parker No. 381-10) | |
| | 7: | Hose End - Female, Swivel, ORFS (Parker No. 1JC43-16), Hose End - Female, Swivel, 90°, ORFS (Parker No. 1J943-16) and Hose, 1 inch (Parker No. 881-16) | | | | | |
| | 8: | Hose End - Female, Swivel, ORFS (Parker No. 1JC43-6), Hose End - Female, Swivel, 90°, ORFS (Parker No. 1J943-6) and Hose, 3/8 inch (Parker No. 451TC-6) | | | | | |
| | 9: | Hose End - Female, Swivel, Straight, ORFS (Parker No. 1JC43-10), Hose End - Female, Swivel, 90°, Short, ORFS (Parker No. 1J943-12-10) and Hose, 5/8 inch (Parker No. 381-10) | | | | | |
| | 10: | Hose End - Female, Swivel, 90°, JIC (Parker No. 13943-4), Hose End - Female, Swivel, 90°, ORFS (Parker No. 1J943-8-4) and Hose, 1/4 inch (Parker No. 451TC-4) | | | | | |

This Page Intentionally Left Blank

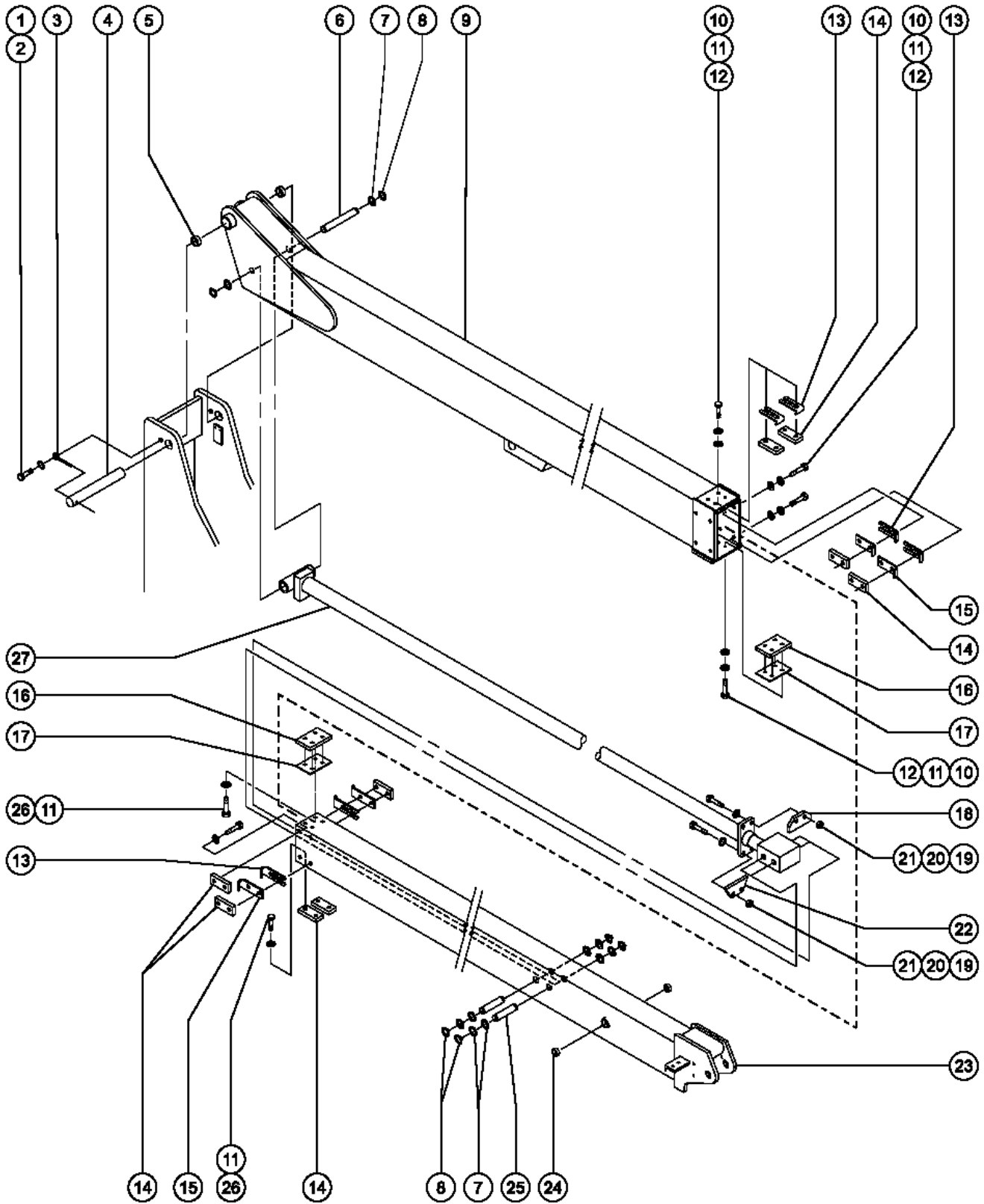
601.1 Boom Lift and Master Leveling Cylinder Installation



601.1 Boom Lift and Master Leveling Cylinder Installation

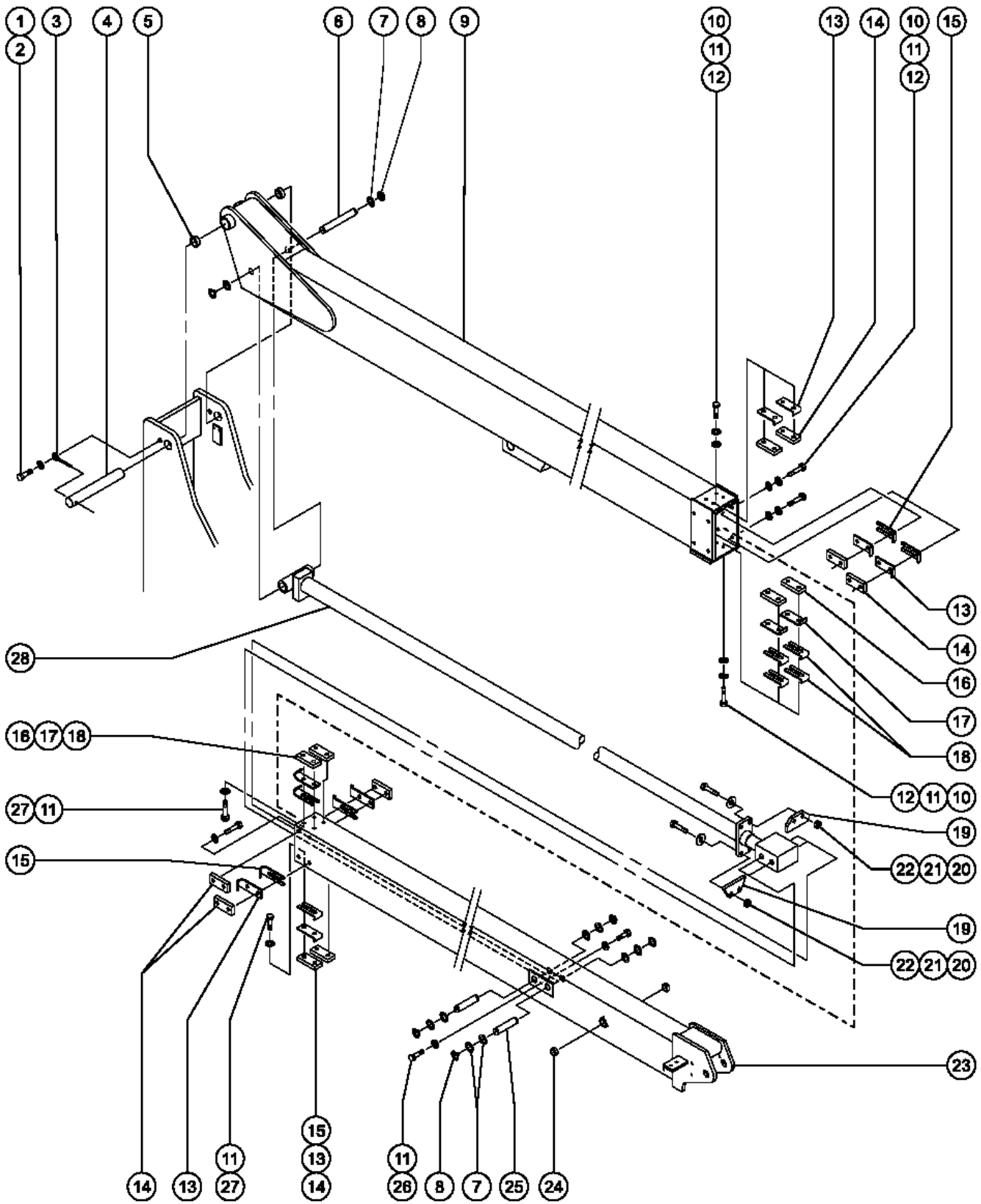
| Item | Part No. | Description | Qty. | Item | Part No. | Description | Qty. |
|------|-------------|--|------|------|----------|--|------|
| 1 | | Ref. Boom Tube Assembly - Primary (refer to Figure 6-B or 6-C) | | -- | 75468 | SEAL KIT,CYL,S40 MASTER(81692) <i>for 81692 cylinder (S-40)</i> | |
| 2 | 30732 | PIN,1.50DIAX6.38LG,1HOLE..... | 1 | -- | 75470 | SEAL KIT CYL.S45 MASTER(81694) <i>(for 81694 cylinder) (S-45)</i> | |
| 3 | 6019 | SCREW,HHC,3/8-16 X 1.25 GRD 5..... | 2 | 24 | 25817 | BEARING,1.00IDX1.25ODX1.00L.... <i>(S-40)</i> | 1 |
| 4 | 6021 | WASHER,LOCK, .375..... | 4 | 24 | 30370 | BEARING,1.25IDX1.5ODX1.00L.... <i>(S-45)</i> | 1 |
| 5 | 45226 | ROD END, .375 X 3.69..... | 4 | | | | |
| 6 | 45072 | BEARING,GARLOCK,24DU24..... | 4 | | | | |
| 7 | 63206 | CYLINDER,LIFT,S40..... <i>includes index number 6</i> | 1 | | | | |
| -- | 63346 | SEAL KIT CYL,S40 (63206)..... | 1 | | | | |
| -- | 73806 | VALVE,CNTERBALANCE-SUN@3000.1 | | | | | |
| 8 | 30662-S | WELDMENT, CYLINDER MOUNTING..... | 1 | | | | |
| 9 | 13004 | SCREW,HHC,5/8-11 X 3 GRD.8.... | 4 | | | | |
| 10 | 13064 | WASHER,FLAT, .625 HARDENED.... | 8 | | | | |
| 11 | 6024 | NUT,NYLOCK,5/8-11..... | 4 | | | | |
| 12 | 30733 | PIN,1.50DIAX7.75LG,1HOLE..... | 1 | | | | |
| 13 | 13002 | SCREW,HHC,5/16-18 X 1 GR5..... | 2 | | | | |
| 14 | 6356 | WASHER,LOCK, .25..... | 2 | | | | |
| 15 | 6638 | WASHER,FLAT,USS,1/4"Y..... | 2 | | | | |
| 16 | 81578 | HORN,12VDC,SPADE TERMINALS*** | 1 | | | | |
| 17 | 43960 | WIRE CABLE,16GA/4 CON.TPE JKT*..... | 15 | | | | |
| 18 | 19491 | CONTACTOR,LIMIT SWITCH..... | 1 | | | | |
| 18 | 88356-146R5 | SWITCH,LIMIT,W/ROLLER HEAD*** | 1 | | | | |
| -- | 19491 | CONTACTOR,LIMIT SWITCH..... | 1 | | | | |
| 19 | 22541 | SCREW,RHM,10-32 X 1.5..... | 2 | | | | |
| 20 | 6607 | WASHER,LOCK,#10 PLTD..... | 2 | | | | |
| 21 | 30734 | PIN,1.00DIAX2.88LG,1HOLE..... | 2 | | | | |
| 21 | 34276 | PIN,1.25DIAX3.37LG,1HOLE..... | 2 | | | | |
| 22 | 8255 | SCREW,HHC,3/8-16 X .75..... | 2 | | | | |
| 23 | 81692 | CYLINDER, MASTER, S40..... <i>(S-40)</i> | 1 | | | | |
| 23 | 81694 | CYLINDER,MASTER,S45*** | 1 | | | | |
| -- | 59050 | SEAL KIT,2.5" BORE,1.5" ROD*** <i>for 59071 cylinder (S-40)</i> | | | | | |
| -- | 59263 | SEAL KIT-3" BORE X 1.5" ROD <i>(for 59238 cylinder) (S-45)</i> | | | | | |
| -- | 59445 | SEAL KIT,3" BORE,1.5" RD <i>(for 59391 cylinder) (S-45)</i> | | | | | |

602.1 Boom Assembly



| Item | Part No. | Description | Qty. | Item | Part No. | Description | Qty. |
|------|----------|--|------|---|----------|---------------------------------|------|
| 1 | 10597 | SCREW,HHC,1/2-13 X 1.25 GR5..... | 1 | 25 | 30729 | PIN,1.00DIA X 6.67LG,2RING..... | 2 |
| 2 | 6033 | WASHER,LOCK,0.5"..... | 1 | 26 | 8255 | SCREW,HHC,3/8-16 X .75..... | 16 |
| 3 | 30418 | ROD END,0.5 X 3.75***..... | 1 | 27 | 63202 | CYLINDER,EXT.2.5" X 163.5"..... | 1 |
| 4 | 30731 | PIN,PRIM.Boom,16.0 X 1.5 INCH..... | 1 | -- | 33428 | VALVE,COUNTERBALANCE..... | 1 |
| 5 | 30738 | BEARING,1.5"ID X 2"OD X 1.5"LG..... | 2 | -- | 63342 | SEAL KIT,CYL,S40 (63202)..... | 1 |
| 6 | 30730 | PIN,1.00DIA X 9.46LG,2RING..... | 1 | -- | 89872 | VALVE,COUNTERBALANCE..... | 1 |
| 7 | 30748 | WASHER,SHIM,1.01 X 1.63 X.062..... | 10 | Footnotes | | | |
| 8 | 44662 | SNAP RING,EXTERNAL,1.00 DIA..... | 6 | 1: Quantity listed for this item is approximate. Actual quantity may vary to ensure proper fit. | | | |
| 9 | 102143 | PRIMARY BOOM ASSY, S40..... <i>(includes item number 5) (customer must also order part number 73969, for first time replacement on units before serial number 5832)</i> | 1 | | | | |
| 10 | 6175 | SCREW,HHC,3/8-16 X 1..... | 16 | | | | |
| 11 | 6021 | WASHER,LOCK,.375..... | 32 | | | | |
| 12 | 6097 | WASHER,FLAT,USS,3/8",Y..... | 16 | | | | |
| 13 | 29080 | SHIM,WEAR PAD,5X 1.5 16GA..... 1 | 12 | | | | |
| 14 | 30138 | WEAR PAD,5 X 1.5 X .625 W/NUTS..... | 12 | | | | |
| 15 | 38620 | SHIM,WEAR PAD,5 X 1.5,14GA..... 1 | 8 | | | | |
| 16 | 30741 | WEAR PAD,6.5 X 5 X .75 W/INSER..... | 2 | | | | |
| 17 | 30472 | SHIM,PRIMARY BOOM,.064 THK..... | 2 | | | | |
| 18 | 30581 | PAD,EXTENSION CYLINDER, TOP..... | 1 | | | | |
| 19 | 6091 | NUT,NYLOCK,1/4-20..... | 4 | | | | |
| 20 | 6638 | WASHER,FLAT,USS,1/4"Y..... | 4 | | | | |
| 21 | 6637 | SCREW,HHC,1/4-20 X 1.75..... | 4 | | | | |
| 22 | 30582 | PAD,EXTENSION CYLINDER,BOTTOM..... | 1 | | | | |
| 23 | 73969 | PRIMARY BOOM EXT ASSY,S-40***..... <i>(includes item number 24) (customer must also order part number 102143, for first time replacement on units before serial number 5832)</i> | 1 | | | | |
| 24 | 30220 | BEARING,1.25ID X 1.5OD X 0.69L..... | 2 | | | | |

603.1 Boom Assembly



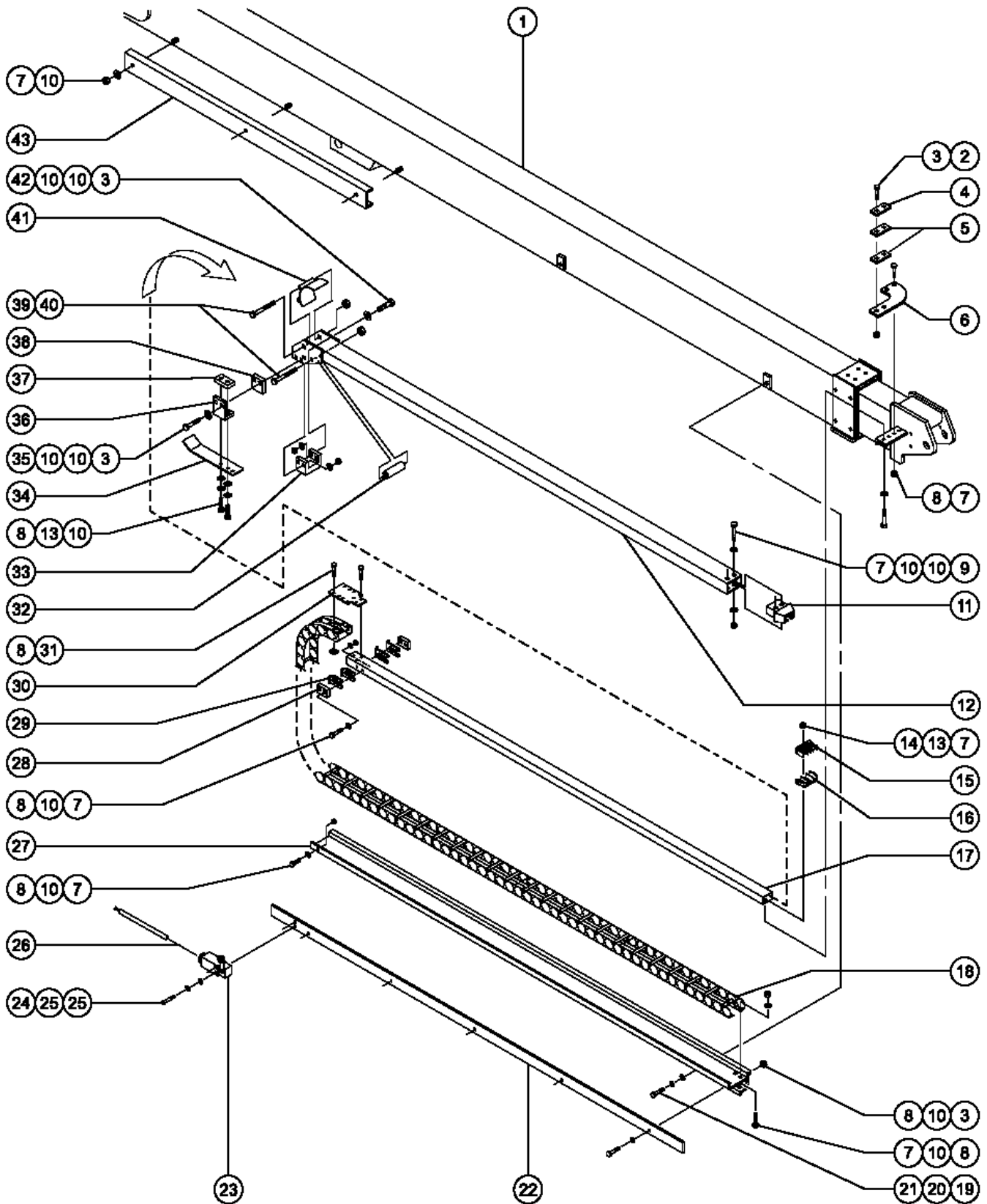
| Item | Part No. | Description | Qty. |
|------|----------|--|------|
| 1 | 10597 | SCREW,HHC,1/2-13 X 1.25 GR5.....1 | |
| 2 | 6033 | WASHER,LOCK,0.5".....1 | |
| 3 | 30418 | ROD END,0.5 X 3.75***.....1 | |
| 4 | 30731 | PIN,PRIM.BOOM,16.0 X 1.5 INCH.....1 | |
| 5 | 30738 | BEARING,1.5"ID X 2"OD X 1.5"LG.....2 | |
| 6 | 53219 | PIN,1.00DIA X 11.05LG,2RING.....1 | |
| 7 | 30748 | WASHER,SHIM,1.01 X 1.63 X.062.....10 | |
| 8 | 44662 | SNAP RING,EXTERNAL,1.00 DIA.....6 | |
| 9 | 102144 | PRIMARY BOOM ASSY, S45.....1 <i>includes index number 5</i> | |
| 10 | 6175 | SCREW,HHC,3/8-16 X 1.....16 | |
| 11 | 6021 | WASHER,LOCK,.375.....35 | |
| 12 | 6097 | WASHER,FLAT,USS,3/8",Y.....16 | |
| 13 | 38620 | SHIM,WEAR PAD,5 X 1.5,14GA.....8 1 | |
| 14 | 30138 | WEAR PAD,5 X 1.5 X .625 W/NUTS.....8 | |
| 15 | 29080 | SHIM,WEAR PAD,5X 1.5 16GA.....12 1 | |
| 16 | 34124 | WEAR PAD,5 X 3 X .625 W/INSER.....4 | |
| 17 | 38621 | SHIM,PAD,5 X 3.....4 | |
| 18 | 34344 | SHIM,SIDE PAD 16GA. 3 X 5.....10 1 | |
| 19 | 53197 | WEAR PAD,EXTENSION CYLINDER.....2 | |
| 20 | 6091 | NUT,NYLOCK,1/4-20.....4 | |
| 21 | 12906 | WASHER,FENDER,.25 X 1.25 X.062.....4 | |
| 22 | 6637 | SCREW,HHC,1/4-20 X 1.75.....4 | |
| 23 | 52882 | EXTENSION BOOM TUBE ASSY. S-45.....1 <i>includes index number 24</i> | |
| 24 | 30220 | BEARING,1.25ID X 1.5OD X 0.69L.....2 | |
| 25 | 53200 | PIN,1.00DIA X 8.38LG,2RING.....2 | |
| 26 | 53354 | SCREW,HHC,3/8-16 X 1.25 FULL THR.....2 | |
| 27 | 8255 | SCREW,HHC,3/8-16 X .75.....16 | |

| Item | Part No. | Description | Qty. |
|------|----------|----------------------------------|------|
| 28 | 63202 | CYLINDER,EXT.2.5" X 163.5".....1 | |
| -- | 33428 | VALVE,COUNTERBALANCE.....1 | |
| -- | 63342 | SEAL KIT,CYL,S40 (63202).....1 | |
| -- | 89872 | VALVE,COUNTERBALANCE.....1 | |

Footnotes

1: Quantity listed for this item is approximate. Actual quantity may vary to ensure proper fit.

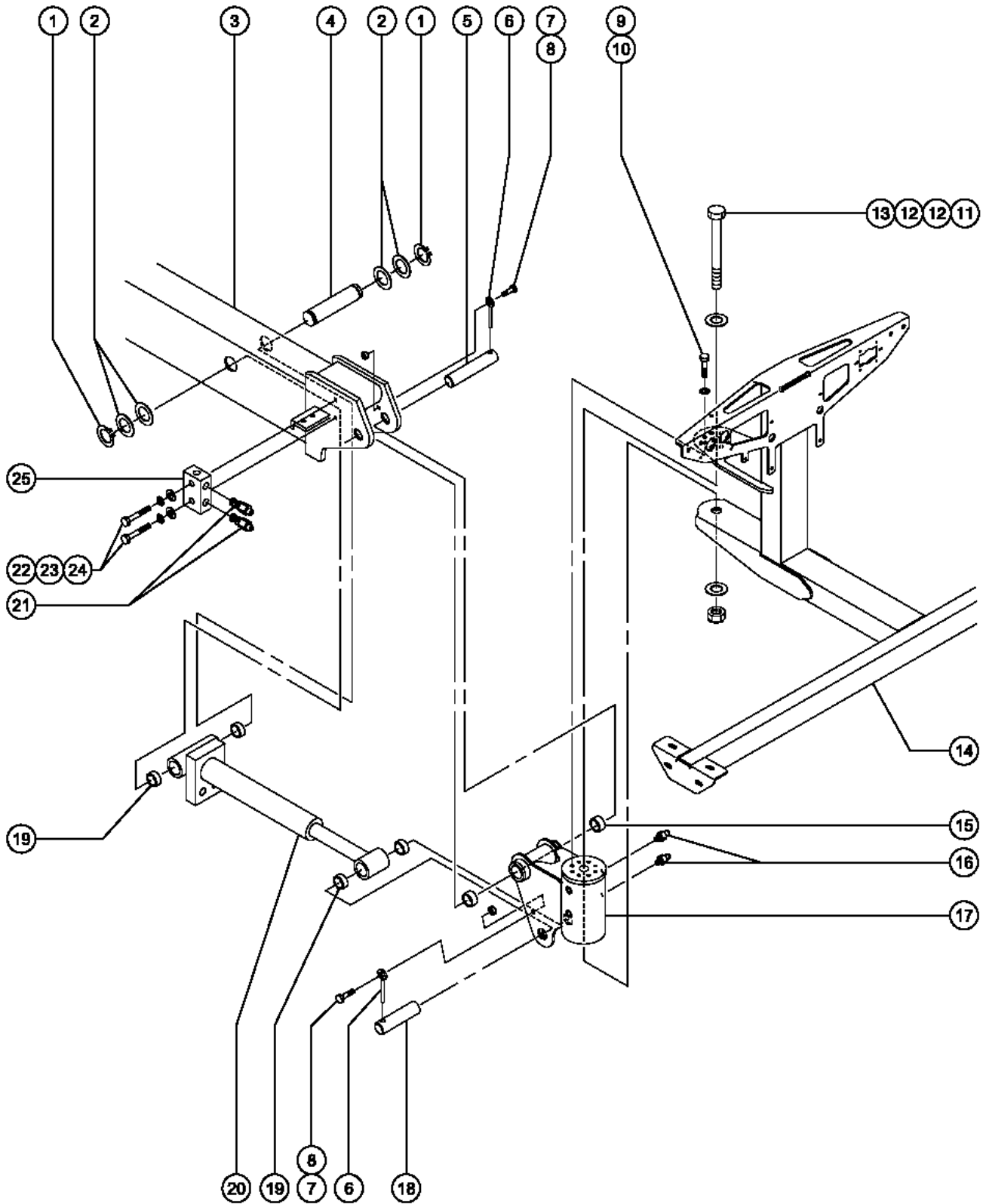
604.1 Cable Track Installation



604.1 Cable Track Installation

| Item | Part No. | Description | Qty. | Item | Part No. | Description | Qty. |
|------|-------------|---|------|---|----------|--|------|
| -- | 48516 | CABLE CLAMP ASSEMBLY,S40 <i>includes index numbers 4, 5, 6 and mounting hardware</i> | | 28 | 31411 | WEAR PAD,CABLE TRACK..... | 2 |
| 1 | | Ref. Boom Assembly (refer to Figures 6-B or 6-C) | | 29 | 34954 | SHIM,SIDE PAD 16GA.1.5 X 3.5..... | 4 |
| 2 | 4266 | SCREW,HHC,1/4-20 X 2..... | 2 | 1 | | | |
| 3 | 6091 | NUT,NYLOCK,1/4-20..... | 12 | 30 | 43191P-S | PLATE,CABLE TRACK,PAINTED..... | 1 |
| 4 | 46751P-S | CABLE CLAMP..... | 1 | 31 | 56912 | SPRING CLIP,1/4-20,MAGNI 565..... | 4 |
| 5 | 46765 | PAD,CABLE CLAMP..... | 2 | 32 | 40653 | ROLLER,UHMW..... | 1 |
| 6 | 46936P | BRACKET, CABLE CLAMP..... | 1 | 33 | 43128 | SLIDER BAR..... | 1 |
| 7 | 6889 | NUT,LP NYLOCK,1/4-20..... | 21 | 34 | 36204P-S | BRACKET,LIMIT SWITCH EXT,BLUE*..... | 1 |
| 8 | 6090 | SCREW,HHC,1/4-20 X .7..... | 26 | 35 | 8179 | SCREW,HHC,1/4-20 X 2.25..... | 2 |
| 9 | 6115 | SCREW,HHC,1/4-20 X 3.5..... | 2 | 36 | 41031P-S | ANGLE,CABLE TRACK TUBE,PAINTED..... | 1 |
| 10 | 6638 | WASHER,FLAT,USS,1/4"Y..... | 31 | 37 | 41029 | WEAR PAD,3 X 2 X .5 W/INSERT.... | 1 |
| 11 | 41750 | COW CATCHER,PLASTIC..... | 1 | 38 | 41030 | WEAR PAD,2.25 X 2.50 X .5..... | 1 |
| 12 | 30671-S | WLDMT.CABLE TRACK TUBE S40..... | 1 | 39 | 22832 | SCREW,HHC,3/8-16 X 6..... | 3 |
| 13 | 8914 | SCREW,HHC,1/4-20 X .625..... | 2 | 40 | 7713 | NUT,LP NYLOCK,3/8-16..... | 3 |
| 14 | 6356 | WASHER,LOCK,.25..... | 4 | 41 | 36593 | WELDMENT,CABLE TRACK GUIDE**..... | 1 |
| 15 | 63432 | CLAMP,HOSE,BOTTOM,MOLDED.. | 1 | 42 | 6145 | SCREW,HHC,1/4-20 X 1.5..... | 2 |
| 16 | 63433 | CLAMP,HOSE,TOP,MOLDED..... | 1 | 43 | 25072P-S | HOSE COVER,LWR CABLE TRK,BLUE..... | 1 |
| 17 | 43852-S | TUBE,CABLE TRACK SUPPORT.... | 1 | Footnotes | | | |
| 18 | 73994 | CABLETRACK,PLATED, 41 LINK.... | 1 | 1: Quantity listed for this item is approximate. Actual quantity may vary to ensure proper fit. | | | |
| -- | 46677 | REPAIR LINK,3 LINKS (STEEL).... | 1 | | | | |
| -- | 72268 | END SET,STEEL43482,43483,43484..... | 1 | | | | |
| -- | 73994 | CABLETRACK,PLATED, 41 LINK.... | 1 | | | | |
| -- | 81007 | REPAIR LINK, 4 LINKS PLATED.... | 1 | | | | |
| 19 | 8255 | SCREW,HHC,3/8-16 X .75..... | 2 | | | | |
| 20 | 6021 | WASHER,LOCK,.375..... | 2 | | | | |
| 21 | 6097 | WASHER,FLAT,USS,3/8",Y..... | 2 | | | | |
| 22 | 44081-S | COVER,CABLE TRACK..... | 1 | | | | |
| 23 | 88356-11165 | SWITCH,LIMIT,W/RLLR ARM,NO/NC..... | 1 | | | | |
| -- | 19491 | CONTACTOR,LIMIT SWITCH..... | 1 | | | | |
| -- | 97128 | ROLLER ARM,LIMIT SWITCH***..... | 1 | | | | |
| 24 | 6179 | SCREW,RHM,10-32 X 1.25..... | 2 | | | | |
| 25 | 6607 | WASHER,LOCK,#10 PLTD..... | 4 | | | | |
| 26 | 43960 | WIRE CABLE,16GA/4 CON.TPE JKT*..... | 312 | | | | |
| 27 | 52653 | CABLE TRACK TRAY ASSY W/TRIM..... | 1 | | | | |

605.1 Slave Cylinder and Platform Rotator, S-40 models



605.1 Slave Cylinder and Platform Rotator, S-40 models

| Item | Part No. | Description | Qty. | Item | Part No. | Description | Qty. |
|------|----------|--|------|------|----------|--|------|
| 1 | 30217 | SNAP RING,EXTERNAL,1.25 DIA.** | 2 | 15 | 30219 | BEARING,FL,1.25ID X 1.41OD X 1 | 2 |
| 2 | 30255 | WASHER,SHIM,1.27 X 2.13 X .062 | 4 | -- | 30219 | BEARING,FL,1.25ID X 1.41OD X 1 <i>from SN 4508 to 5628</i> | |
| 3 | | Ref. Boom Assembly (refer to Figure 6-B) | 4 | -- | 30370 | BEARING,1.25ID X 1.50DX1.00L | 2 |
| 4 | 30728 | PIN,1.25DIA X 7.17LG,2RING | 1 | | | <i>to SN 5277</i> | |
| 5 | 30727 | PIN,ROTATOR,8.13 X 1.25 INCH | 1 | 16 | 13852 | VALVE ASSY,BLEED*** | 2 |
| -- | T108076 | PIN,1.25DIA X 7.88LG,1HOLE | 1 | -- | 88516 | SCREW,BLEEDER,M5X0.8 | 2 |
| 6 | 30418 | ROD END,0.5 X 3.75*** | 2 | | | <i>USE WITH ROTATOR PART NO 94398</i> | |
| 7 | 8516 | SCREW,HHC,3/8-16 X 1.50 | 2 | 17A | 94398 | ROTATOR,PLAT,NON-JIB | 1 |
| 8 | 4828 | NUT,NYLOCK,3/8-16 | 2 | | | <i>(INCLUDED IN ROTATOR UPDATE KIT PART NO 77874 and 111172);</i> | |
| 9 | 10597 | SCREW,HHC,1/2-13 X 1.25 GR5 | 6 | | | <i>from SN 5594</i> | |
| -- | 27035 | SCREW,SHC,3/8-16 X .75,BLACK | 8 | 17B | 77874 | ROTATOR ASSEMBLY,8.2K*** | 1 |
| | | <i>USE WITH ROTATOR PART NO 94398 (INCLUDED IN ROTATOR UPDATE KIT PART NO 77874)</i> | | | | <i>ROTATOR UPDATE KIT, REQUIRED FOR FIRST TIME REPLACEMENT OF PREVIOUS ROTATOR PART NO 30669; from SN 831 to 5278</i> | |
| -- | 6175 | SCREW,HHC,3/8-16 X 1 | 8 | 17C | 111172 | STICK BOOM ROTATOR SERVICE KIT | |
| | | <i>USE WITH ROTATOR PART NO 73499</i> | | | | <i>ROTATOR UPDATE KIT, REQUIRED FOR FIRST TIME REPLACEMENT OF PREVIOUS ROTATOR PART NO 73499; from SN 5279 to 5593</i> | |
| 10 | 6033 | WASHER,LOCK,0.5" | 6 | -- | 106421 | SEAL KIT,ARCTIC,ROTATOR 8.2K** | 1 |
| -- | 6097 | WASHER,FLAT,USS,3/8",Y | 8 | | | <i>for rotator 73499 and 73917</i> | |
| | | <i>from SN 5278</i> | | -- | 122944 | SEAL KIT,8K ROTATOR*** | |
| 11 | 30286 | SCREW,HHC,1-8 X 12IN GRD.2*** | 1 | | | <i>for rotator 94398</i> | |
| -- | 73928 | SCREW,HHC,1-8 X 11,GRD 5*** | 1 | -- | 31498 | BEARING KIT,ROTATOR,9K*** | |
| | | <i>from SN 5278</i> | | | | <i>for rotator 30669</i> | |
| 12 | 13775 | WASHER,FLAT,1.063 X 2 X .134 | 2 | -- | 62417 | SEAL KIT,PLAT ROTATE*** | 1 |
| -- | 38859 | WASHER,FLAT,USS,1",Y | 2 | | | <i>for rotator 73499 and 73917</i> | |
| | | <i>from SN 5278</i> | | -- | 65842 | SEAL KIT,UNIVERSAL,9K ROTATOR* | 1 |
| 13 | 29764 | NUT,NYLOCK,1-8 | 1 | | | <i>for rotator 30669</i> | |
| 14 | 50144-S | PLATFORM SUPPORT WELDMNT*** | 1 | -- | 73807 | MANIFOLD,ROTATOR,CB*** | |
| | | <i>to SN 5277</i> | | | | <i>(INCLUDED IN ROTATOR UPDATE KIT PART NO 77874 AND 111172)</i> | |
| -- | 60370-S | PLATFORM SUPPORT WELDMNT-SERV* | 1 | -- | 75395 | BEARING KIT,PLAT ROTATOR,SUPER | 1 |
| | | <i>from SN 5278</i> | | | | <i>for rotator 73499 and 73917</i> | |
| | | | | -- | 77877 | SHAFT ADAPTER, HELAC ROTATOR | 1 |
| | | | | | | <i>(INCLUDED IN ROTATOR UPDATE KIT PART NO 77874)</i> | |

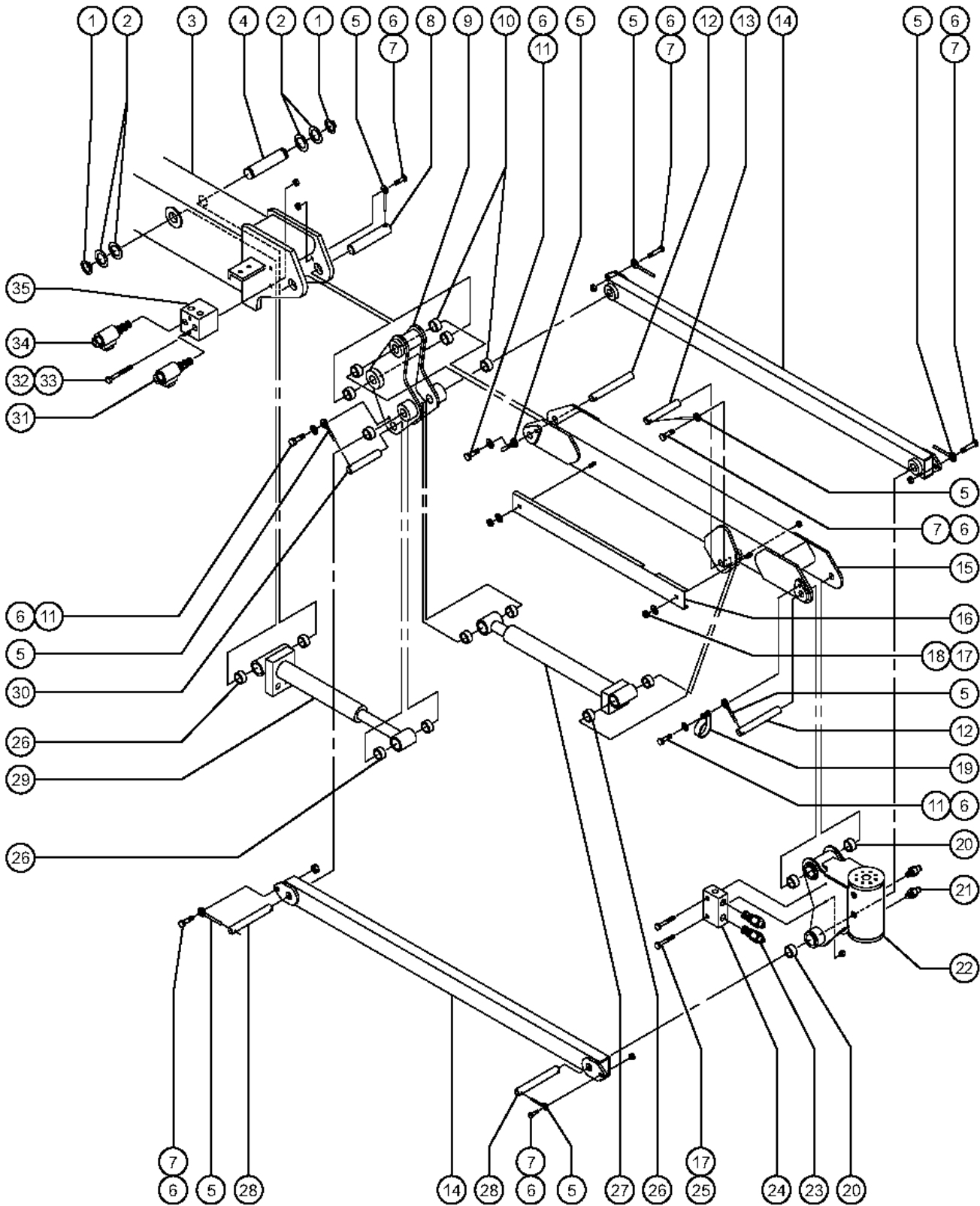
605.1 Slave Cylinder and Platform Rotator, S-40 models
(continued)

| Item | Part No. | Description | Qty. |
|------|----------|--|------|
| 18 | T108075 | PIN,1.25DIAX5.25LG,1HOLE..... | 1 |
| 19 | 59266 | BEARING, POLYGON P2055 (59105)..... | 4 |
| -- | 25683 | BEARING,POLYGON,20DU12 | |
| 20 | 81693 | CYLINDER,SLAVE,S40/45..... <i>includes 4 each index number 19 and part number 77303</i> | 1 |
| -- | 31078 | SEAL KIT,HYDRAULIC CYLINDER*** | 1 |
| | | <i>use with cylinder 30530; to SN 3425</i> | |
| -- | 43169 | VALVE,COUNTERBALANCE***..... | 1 |
| | | <i>use with cylinder 30530; to SN 3425</i> | |
| -- | 59050 | SEAL KIT,2.5" BORE,1.5" ROD***...1 | 1 |
| | | <i>use with cylinder 59150; from SN 3426 to 6168</i> | |
| -- | 59267 | VALVE,COUNTERBAL.CACG-LGN@3500 | |
| | | <i>use with cylinder 59150; from SN 3426 to 6168</i> | |
| -- | 75469 | SEAL KIT CYL.S40 SLAVE (81693)..... | 1 |
| | | <i>use with cylinder 81693; from SN 6169</i> | |
| -- | 77303 | VALVE,CNTRBAL 3500PSI,ATM VEN..... | 1 |
| | | <i>use with cylinder 81693; from SN 6169</i> | |
| 21 | 32722 | VALVE,COUNTERBAL.CBCG-LJN@3000 | 2 |
| 22 | 6637 | SCREW,HHC,1/4-20 X 1.75..... | 2 |
| 23 | 6356 | WASHER,LOCK,.25..... | 2 |
| 24 | 6638 | WASHER,FLAT,USS,1/4"Y..... | 2 |
| 25 | 30823 | VALVE,DUAL CB MANIFOLD..... <i>includes index number 21</i> | 1 |

605.1 Slave Cylinder and Platform Rotator, S-40 models
(continued)

This Page Intentionally Left Blank

606.1 Jib Boom and Platform Rotator, S-45 models



606.1 Jib Boom and Platform Rotator, S-45 models

| Item | Part No. | Description | Qty. | Item | Part No. | Description | Qty. |
|------|----------|--|------|------|----------|--|------|
| 1 | 30217 | SNAP RING,EXTERNAL,1.25 DIA.** | 2 | -- | 88516 | SCREW,BLEEDER,M5X0.8 | 2 |
| 2 | 30255 | WASHER,SHIM,1.27 X 2.13 X .062 | 4 | 22 | 77875 | ROTATOR ASSEMBLY,8.2K*** <i>required for first time replacement of older rotators; includes hydraulic rotator part number 94397, manifold part number 73807 and shaft adapter 77877; to SN 5278</i> | 1 |
| 3 | | Ref. Boom Assembly (refer to Figure 603.1) | 4 | -- | 106422 | KIT,SEAL& BEARING,ARC,ROT.9K | 1 |
| 4 | T108079 | PIN,1.25DIA X 8.30LG,2RING | 1 | -- | 122944 | SEAL KIT,8K ROTATOR*** <i>for rotator 94397</i> | |
| 5 | 45226 | ROD END,.375 X 3.69 | 9 | -- | 31498 | BEARING KIT,ROTATOR,9K*** <i>for rotator 30947</i> | 1 |
| 6 | 8516 | SCREW,HHC,3/8-16 X 1.50 | 9 | -- | 62417 | SEAL KIT,PLAT ROTATE*** <i>for rotator 60505, 73498</i> | |
| 7 | 4828 | NUT,NYLOCK,3/8-16 | 6 | -- | 65842 | SEAL KIT,UNIVERSAL,9K ROTATOR* <i>for rotator 30497</i> | 1 |
| 8 | T108078 | PIN,1.25DIA X 9.50LG,1HOLE | 1 | -- | 75395 | BEARING KIT,PLAT ROTATOR,SUPER | 1 |
| 9 | 89801 | BELLCRANK ASSY W/BEARINGS <i>includes index number 10</i> | 1 | -- | 77877 | SHAFT ADAPTER, HELAC ROTATOR | 1 |
| 10 | 35675 | BEARING,FL,1.25IDX1.5OD X 1.25L | 6 | -- | 94397 | ROTATOR,PLAT JIB,160 DEG*** <i>from SN 5279</i> | 1 |
| 11 | 6021 | WASHER,LOCK,.375 | 3 | 23 | 32722 | VALVE,COUNTERBALCBCG-LJN@3000.2 <i>for manifold 30823</i> | 2 |
| 12 | T108076 | PIN,1.25DIA X 7.88LG,1HOLE | 2 | -- | 62506 | VALVE - COUNTERBALANCE** <i>for manifold 73807</i> | 2 |
| 13 | T108077 | PIN,1.25DIA X 7.00LG,1HOLE | 1 | 24 | 30823 | VALVE,DUAL CB MANIFOLD <i>for rotator 30947</i> | 1 |
| 14 | 61306-S | COMPR.LINK,MACHINED,GND CONTR* | 2 | -- | 73807 | MANIFOLD,ROTATOR,CB*** <i>for rotator 94397</i> | 1 |
| 15 | 128513 | SERVICE KIT,5FT JIB <i>required for first time replacement (includes part number 128534); refer to section 609.1 for jib detail</i> | 1 | 25 | 8179 | SCREW,HHC,1/4-20 X 2.25 | 2 |
| -- | 128515 | SERVICE KIT, 5FT JIB, ARCTIC <i>required for first time replacement (includes part number 128534 and 128454)</i> | | 26 | 25683 | BEARING,POLYGON,20DU12 | 8 |
| -- | 128534 | JIB BOOM ASSY W/WORD DECAL <i>use ONLY if service kits 128513 or 128515 have been installed on the machine</i> | | 27 | 63213 | CYLINDER,JIB (STICK BOOMS) <i>includes 4 each index number 26</i> | 1 |
| 16 | 54527-S | CABLE COVER,JIB*** <i>before using the upgrade service kit 128513 or 128515</i> | 1 | -- | 33428 | VALVE,COUNTERBALANCE | 1 |
| -- | 128454 | COVER, JIB HOSES/CABLES** <i>included in service kits 128513 and 128515</i> | 1 | -- | 63353 | SEAL KIT,CYL,S65 (63213) | 1 |
| 17 | 6091 | NUT,NYLOCK,1/4-20 | 4 | 28 | 81175 | PIN,1.25DIA X 14.45LG,2HOLE | 2 |
| 18 | 6356 | WASHER,LOCK,.25 | 4 | 29 | 63210 | CYLINDER,SLAVE,3 X 11.38*** <i>includes 4 each index number 26</i> | 1 |
| 19 | 32339 | CLAMP,1.75,#28 X 3/8,RUB CUSH* | 1 | -- | 43169 | VALVE,COUNTERBALANCE*** <i>to SN 6165 (for blue cylinder)</i> | 2 |
| 20 | 30219 | BEARING,FL,1.25ID X 1.41OD X 1 | 4 | -- | 59267 | VALVE,COUNTERBALCACG-LGN@3500.2 <i>to SN 6165 (for black cylinder)</i> | 2 |
| 21 | 13852 | VALVE ASSY,BLEED*** | 2 | | | | |

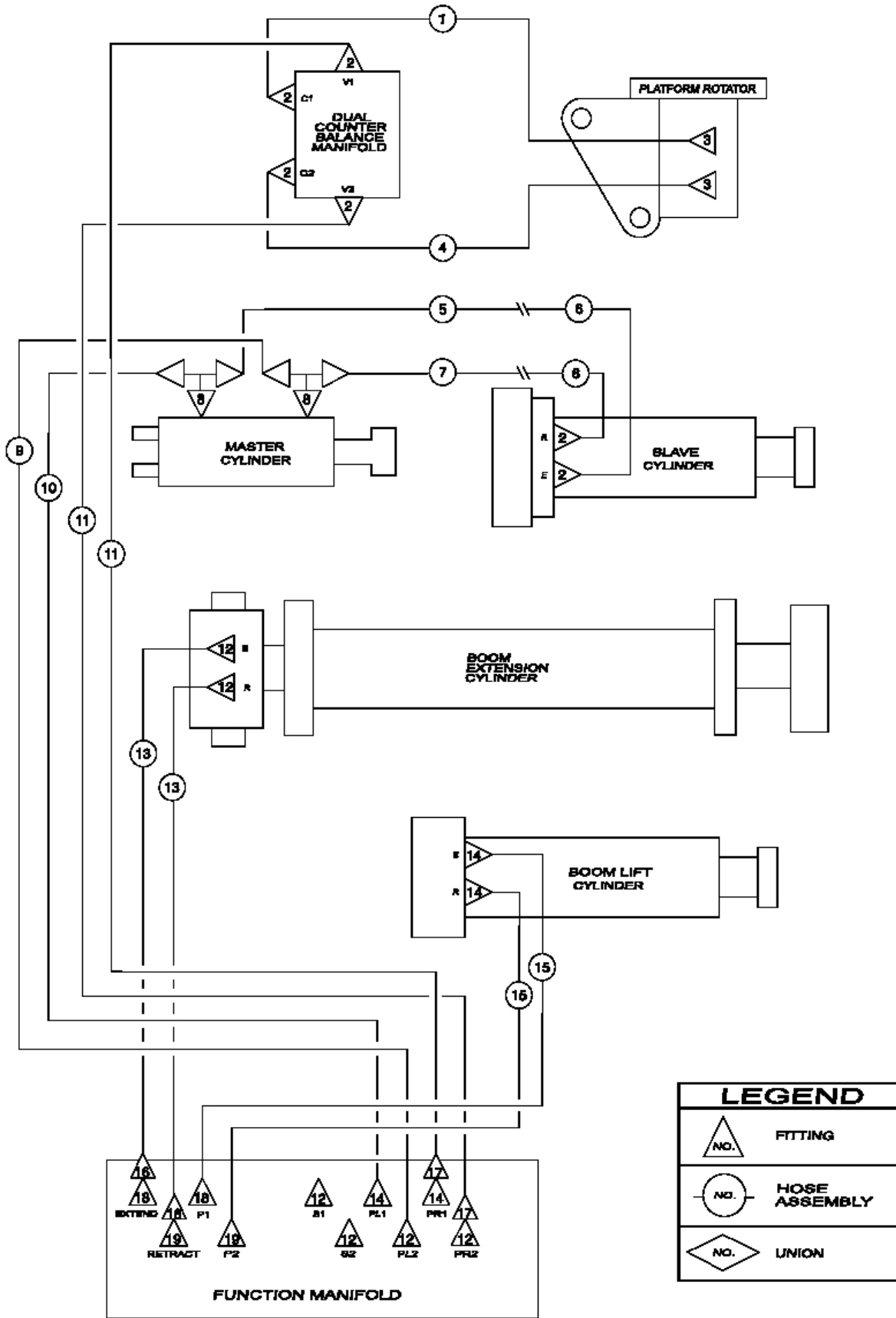
606.1 Jib Boom and Platform Rotator, S-45 models
(continued)

| Item | Part No. | Description | Qty. |
|------|----------|--|------|
| -- | 63350 | SEAL KIT,CYL (63210)..... | 1 |
| -- | 77303 | VALVE,CNTRBAL 3500PSI,ATM VEN..... <i>from SN 6166</i> | 2 |
| 30 | T108075 | PIN,1.25DIAX5.25LG,1HOLE..... | 1 |
| 31 | 62267 | VALVE,SOLENOID N/C (SHORT).... | 1 |
| -- | 45912 | NUT,SOLENOID,2POS 3WAY..... | 1 |
| -- | 62273 | COIL,GREEN W/ 2 PIN CONNECTOR*..... | 1 |
| -- | 81043 | COIL,SOLENOID,8 DSD 10V,W/DIO..... | 1 |
| -- | 83005 | VALVE, SOLENOID (73616)-SHORT..... | 1 |
| -- | 89312 | SEAL KIT, SOLENOID VALVE..... | 1 |
| 32 | 21604 | SCREW,HHC,3/8-16 X 3.25..... | 2 |
| 33 | 7713 | NUT,LP NYLOCK,3/8-16..... | 2 |
| 34 | 62262 | VALVE,SOLENOID N/O (LONG).... | 2 |
| -- | 45912 | NUT,SOLENOID,2POS 3WAY..... | 2 |
| -- | 62273 | COIL,GREEN W/ 2 PIN CONNECTOR*..... | 2 |
| -- | 81043 | COIL,SOLENOID,8 DSD 10V,W/DIO..... | 2 |
| -- | 83006 | VALVE, SOLENOID (73616)-LONG..... | 2 |
| -- | 89312 | SEAL KIT, SOLENOID VALVE..... | 2 |
| 35 | 73616 | MANIFOLD,JIB SELECT***..... <i>includes index numbers 31 and 34; to SN 5592</i> | 1 |

606.1 Jib Boom and Platform Rotator, S-45 models
(continued)

This Page Intentionally Left Blank

607.1 Hydraulic Hoses and Fittings



| LEGEND | |
|--------|---------------|
| | FITTING |
| | HOSE ASSEMBLY |
| | UNION |

607.1 Hydraulic Hoses and Fittings

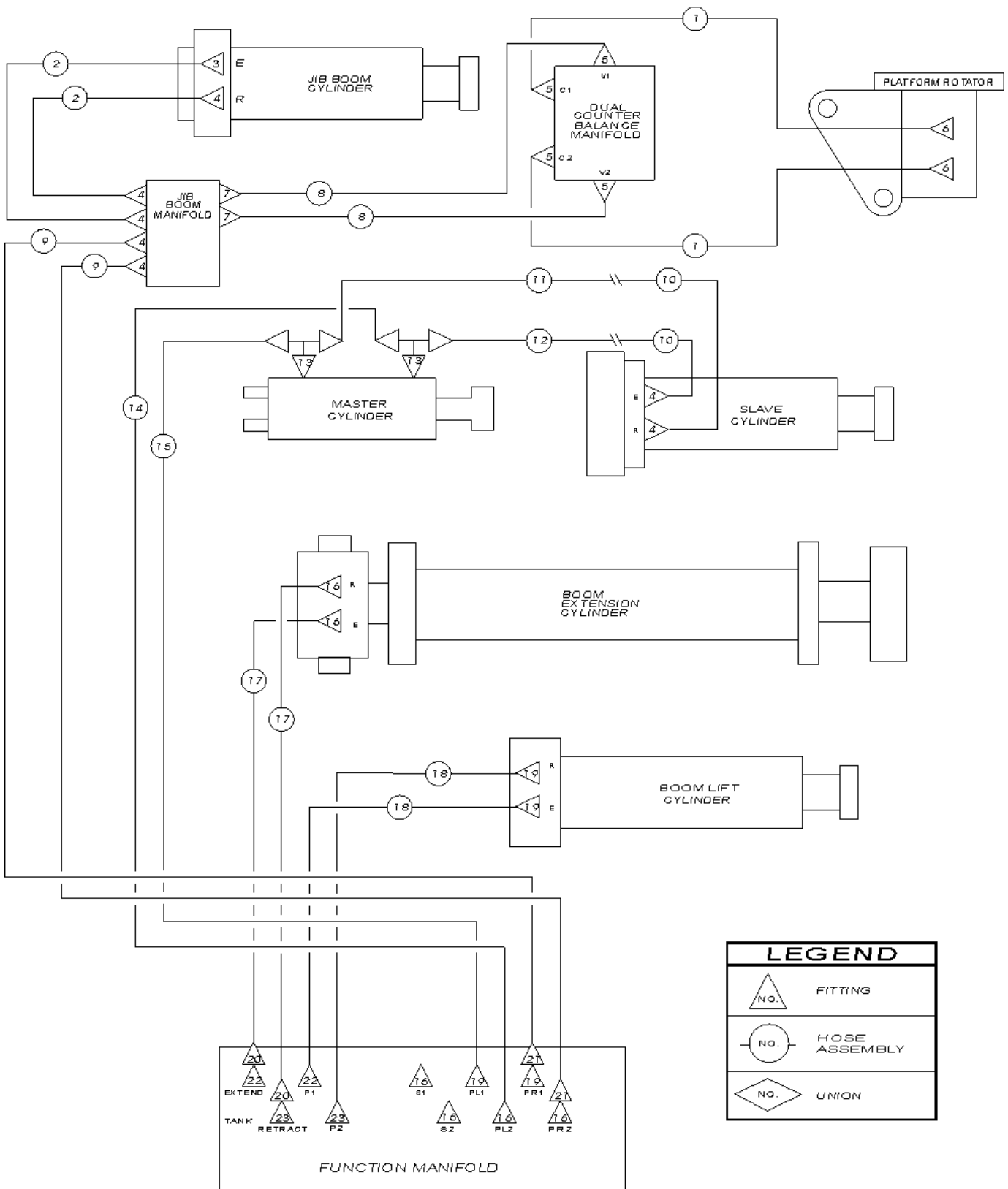
| Item | Part No. | Description | Qty. |
|------|-------------|--|------|
| -- | 28750 | O-RING KIT,FIELD SVC,ALL PROD | |
| -- | 49612 | O-RING KIT (ORFS FITTINGS) | |
| -- | 49613 | PLUG AND CAP KIT-SERVICE,ORFS* | |
| 1 | 49119-2678 | HOSE ASSY,1/4,STR FEM,STR FEM.....1 | 1 |
| 2 | 48912 | CONN,520120-4-6***.....6 | 6 |
| 3 | 48911 | ELBOW,90D,520220-4-6***.....2 | 2 |
| 4 | 49119-3228 | HOSE ASSY,1/4,STR FEM,STR FEM.....1 | 1 |
| 5 | 49120-49381 | HOSE ASSEMBLY,1/4".....1 | 1 |
| 6 | 49121-4313 | HOSE ASSEMBLY,1/4".....2 | 2 |
| 7 | 49120-50181 | HOSE ASSEMBLY,1/4".....1 | 1 |
| 8 | 48919 | TEE,BRANCH,520429-6.....2 | 2 |
| 9 | 49122-10211 | HOSE ASSEMBLY,1/4".....1 | 1 |
| 10 | 49122-9111 | HOSE ASSEMBLY,1/4".....1 | 1 |
| 11 | 49163-57894 | HOSE ASSEMBLY,1/4".....2 | 2 |
| 12 | 48916 | FITTING,CONN,520120-6.....6 | 6 |
| 13 | 49133-13640 | HOSE ASSEMBLY,3/8".....2 | 2 |
| 14 | 48917 | CONN,LONG,520122-6.....4 | 4 |
| 15 | 49129-10275 | HOSE ASSEMBLY,3/8".....2 | 2 |
| 16 | 48879 | ELBOW,SWIVEL 90D, 520221-8.....2 | 2 |
| 17 | 48892 | ELBOW,SWIVEL 90D, 520221-6.....2 | 2 |
| 18 | 48934 | CONN,LONG,520122-8.....2 | 2 |
| 19 | 48933 | CONN,520120-8***.....2 | 2 |
| -- | 33994 | PLUG AND CAP KIT-SERVICE,37°*** | |

| Item | Part No. | Description | Qty. |
|------|----------|-------------|------|
|------|----------|-------------|------|

Footnotes

- 1:** Hose End - Female, Swivel, ORFS (Parker No. 1JC43-4), Hose End - Female, Swivel, ORFS (Parker No. 1JC43-4) and Hose, 1/4 inch (Parker No. 451TC-4)
- 2:** Hose End - Female, Swivel, ORFS (Parker No. 1JC43-4), Hose End - Female, Swivel, ORFS (Parker No. 1JC43-6-4) and Hose, 1/4 inch (Parker No. 451TC-4)
- 3:** Hose End - Female, Swivel, ORFS (Parker No. 1JC43-4), Hose End - Male, ORFS (Parker No. 1JM43-4) and Hose, 1/4 inch (Parker No. 451TC-4)
- 4:** Hose End - Female, Swivel, ORFS (Parker No. 1JC43-6-4), Hose End - Female, Swivel, 90°, ORFS (Parker No. 1J943-6-4) and Hose, 1/4 inch (Parker No. 451TC-4)
- 5:** Hose End - Female, Swivel, 90°, ORFS (Parker No. 1J943-4), Hose End - Female, Swivel, ORFS (Parker No. 1JC43-6-4) and Hose, 1/4 inch (Parker No. 451TC-4)
- 6:** Hose End - Female, Swivel, 45°, ORFS (Parker No. 1J743-6), Hose End - Female, Swivel, ORFS (Parker No. 1JC43-8-6) and Hose, 3/8 inch (Parker No. 451TC-6)
- 7:** Hose End - Female, Swivel, ORFS (Parker No. 1JC43-6), Hose End - Female, Swivel, 90°, ORFS (Parker No. 1J943-8-6) and Hose, 3/8 inch (Parker No. 451TC-6)

608.1 Hydraulic Hoses and Fittings



| LEGEND | |
|--------|---------------|
| | FITTING |
| | HOSE ASSEMBLY |
| | UNION |

608.1 Hydraulic Hoses and Fittings

| Item | Part No. | Description | Qty. |
|------|-------------|---|------|
| -- | 28750 | O-RING KIT,FIELD SVC,ALL PROD | |
| -- | 33994 | PLUG AND CAP KIT-SERVICE,37°** | |
| -- | 49612 | O-RING KIT (ORFS FITTINGS) | |
| -- | 49613 | PLUG AND CAP KIT-SERVICE,ORFS* | |
| 1 | 49119-1778 | Hose Assembly - Components: @ 16 inches (41 cm).....2 | 1 |
| 2 | 49117-8616 | HOSE ASSY,1/4,90 FEM,STR FEM.....2 | 2 |
| 3 | 48900 | CONN,520120-4-6,.035,ORI.....1 | |
| 4 | 48912 | CONN,520120-4-6***7 | |
| 5 | 48911 | ELBOW,90D,520220-4-6***4 | |
| 6 | 48886 | CONNECTOR,520120-4 SPEC.....2 | |
| 7 | 48913 | CONN,520120-4-6,.030 ORI.....2 | |
| 8 | 49116-8662 | HOSE ASSY,1/4,45 FEM,STR FEM.....2 | 2 |
| 9 | 49119-68278 | HOSE ASSY,1/4,STR FEM,STR FEM.....2 | 3 |
| 10 | 49121-4313 | HOSE ASSEMBLY,1/4".....2 | 4 |
| 11 | 49120-49381 | HOSE ASSEMBLY,1/4".....1 | 5 |
| 12 | 49120-50185 | Hose Assembly - Components: @ 500 inches (1270 cm).....1 | 5 |
| 13 | 48919 | TEE,BRANCH,520429-6.....2 | |
| 14 | 49122-10211 | HOSE ASSEMBLY,1/4".....1 | 6 |
| 15 | 49122-9111 | HOSE ASSEMBLY,1/4".....1 | 6 |
| 16 | 48916 | FITTING,CONN,520120-6.....6 | |
| 17 | 49133-13640 | HOSE ASSEMBLY,3/8".....2 | 7 |
| 18 | 49129-10275 | HOSE ASSEMBLY,3/8".....2 | 8 |
| 19 | 48917 | CONN,LONG,520122-6.....4 | |

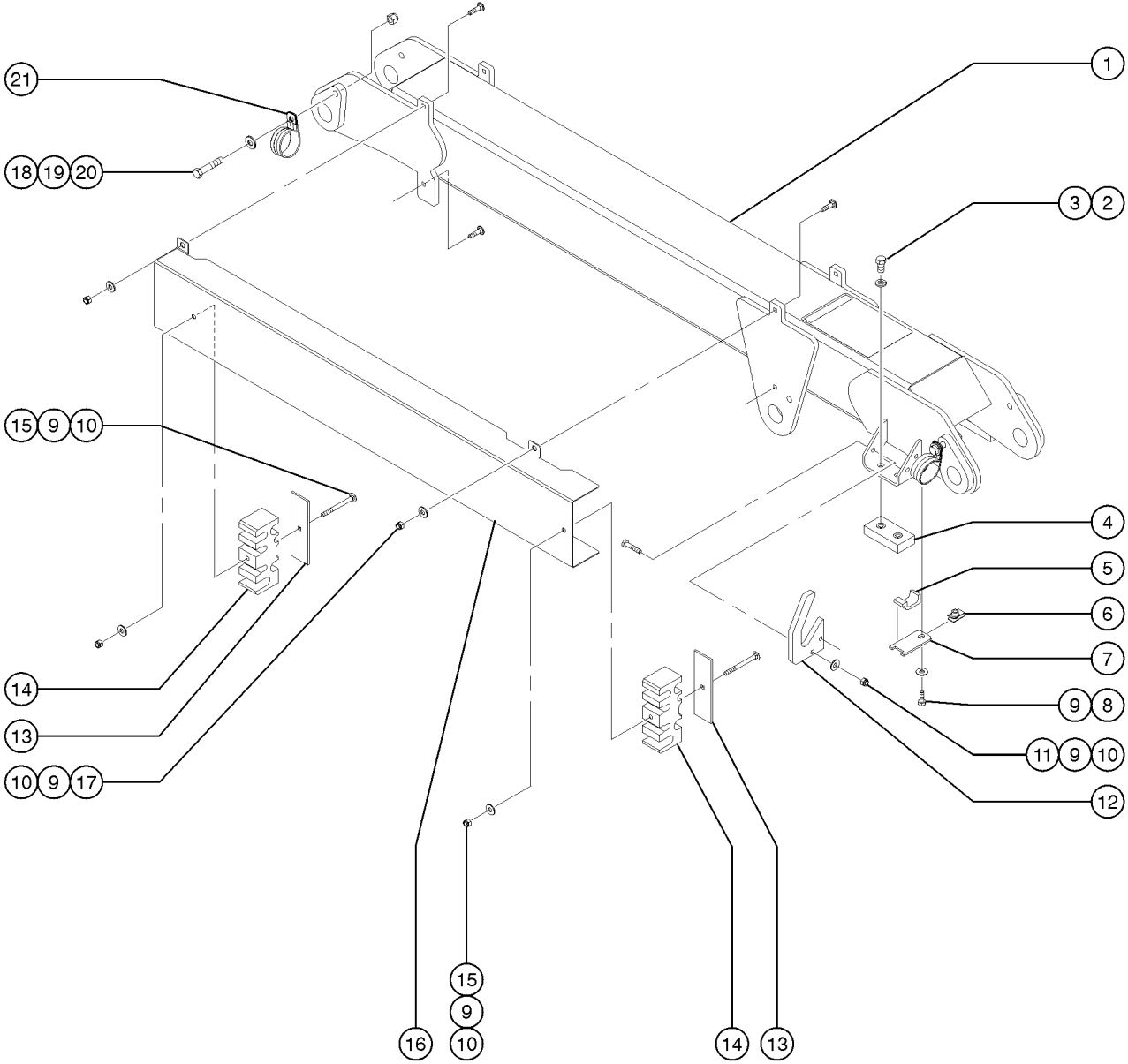
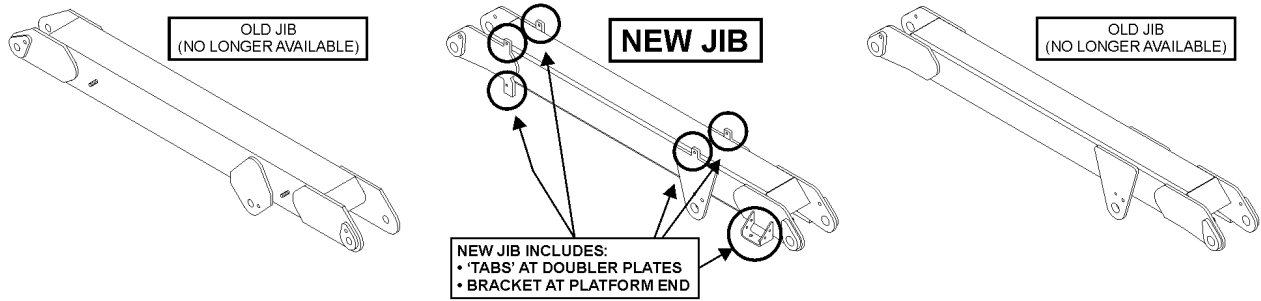
| Item | Part No. | Description | Qty. |
|------|----------|----------------------------------|------|
| 20 | 48879 | ELBOW,SWIVEL 90D, 520221-8.....2 | |
| 21 | 48892 | ELBOW,SWIVEL 90D, 520221-6.....2 | |
| 22 | 48934 | CONN,LONG,520122-8.....2 | |
| 23 | 48933 | CONN,520120-8***2 | |
| -- | | | |

Footnotes

- 1:** Hose End - Female, Swivel, ORFS (Parker No. 1JC43-4), Hose End - Female, Swivel, ORFS (Parker No. 1JC43-4) and Hose, 1/4 inch (Parker No. 451TC-4)
- 2:** Hose End - Female, Swivel, ORFS (Parker No. 1JC43-4), Hose End - Female, Swivel, 90°, ORFS (Parker No. 1J943-4) and Hose, 1/4 inch (Parker No. 451TC-4)
- 3:** Hose End - Female, Swivel, ORFS (Parker No. 1JC43-4-4), Hose End - Female, Swivel, ORFS (Parker No. 1JC43-4-4) and Hose, 1/4 inch (Parker No. 451TC-4)
- 4:** Hose End - Female, Swivel, ORFS (Parker No. 1JC43-4), Hose End - Male, ORFS (Parker No. 1JM43-4) and Hose, 1/4 inch (Parker No. 451TC-4)
- 5:** Hose End - Female, Swivel, ORFS (Parker No. 1JC43-4), Hose End - Female, Swivel, ORFS (Parker No. 1JC43-6-4) and Hose, 1/4 inch (Parker No. 451TC-4)
- 6:** Hose End - Female, Swivel, ORFS (Parker No. 1JC43-6-4), Hose End - Female, Swivel, 90°, ORFS (Parker No. 1J943-6-4) and Hose, 1/4 inch (Parker No. 451TC-4)
- 7:** Hose End - Female, Swivel, 45°, ORFS (Parker No. 1J743-6), Hose End - Female, Swivel, ORFS (Parker No. 1JC43-8-6) and Hose, 3/8 inch (Parker No. 451TC-6)
- 8:** Hose End - Female, Swivel, ORFS (Parker No. 1JC43-6), Hose End - Female, Swivel, 90°, ORFS (Parker No. 1J943-8-6) and Hose, 3/8 inch (Parker No. 451TC-6)

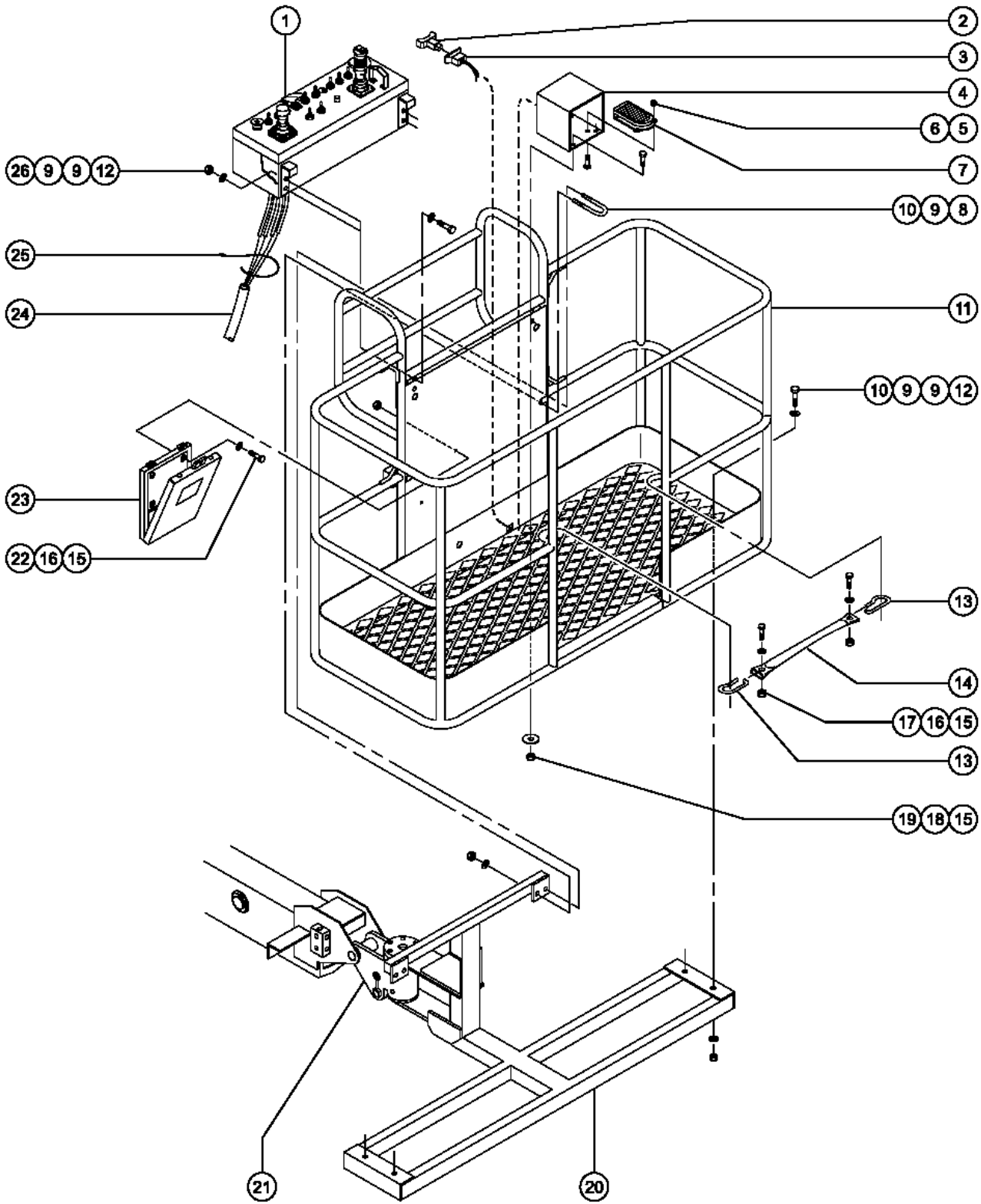
609.1 Jib Detail

NOTE: THE OLDER JIB HAS BEEN REPLACED. SEE BELOW FOR CHANGES.



| Item | Part No. | Description | Qty. |
|------|----------|--|------|
| 1 | 128513 | SERVICE KIT,5FT JIB <i>required for first time replacement (includes part number 128534)</i> | |
| -- | 128515 | SERVICE KIT, 5FT JIB, ARCTIC <i>Arctic option, required for first time replacement</i> | |
| -- | 128534 | JIB BOOM ASSY W/WORD DECAL.....1 <i>use ONLY if service kit 128513 has been installed on the machine</i> | 1 |
| 2 | 8255 | SCREW,HHC,3/8-16 X .75 | |
| 3 | 6021 | WASHER,LOCK,.375 | |
| 4 | 81640 | WEAR PAD,3 X 1.5 X.625 W/NUTS.....1 | 1 |
| 5 | 119542 | CLAMP,TWO HOSE.....1 | 1 |
| 6 | 56912 | SPRING CLIP,1/4-20,MAGNI 565.....1 | 1 |
| 7 | 119536 | BRACKET,HOSE CLAMP.....1 | 1 |
| 8 | 6090 | SCREW,HHC,1/4-20 X .7 | |
| 9 | 6638 | WASHER,FLAT,USS,1/4"Y | |
| 10 | 6091 | NUT,NYLOCK,1/4-20 | |
| 11 | 8915 | SCREW,HHC,1/4-20 X 1.25 | |
| 12 | 128482 | HOSE GUIDE, JIB.....1 | 1 |
| 13 | 128483 | BACKING PLATE, HOSE BLOCK, JIB.....2 | 2 |
| 14 | 128501 | CLAMP,JIB HOSE/CABLE.....2 | 2 |
| -- | 128519 | CLAMP,JIB HOSE/CABLE,ARCTIC <i>(part of the Arctic hose option)</i> | |
| 15 | 128724 | BOLT,CARRIAGE,1/4-20 X 2.75,G2 | |
| 16 | 128454 | COVER, JIB HOSES/CABLES**.....1 | 1 |
| 17 | 79456 | BOLT,CARRIAGE,1/4-20 X 1.00,G2 | |
| 18 | 5224 | SCREW,HHC,3/8-16 X 2 | |
| 19 | 5397 | WASHER,FLAT,USS,5/16",Y | |
| 20 | 4828 | NUT,NYLOCK,3/8-16 | |
| 21 | 77181 | CLAMP,1.63,#26 X 3/8,RUB CUSH.....2 | 2 |

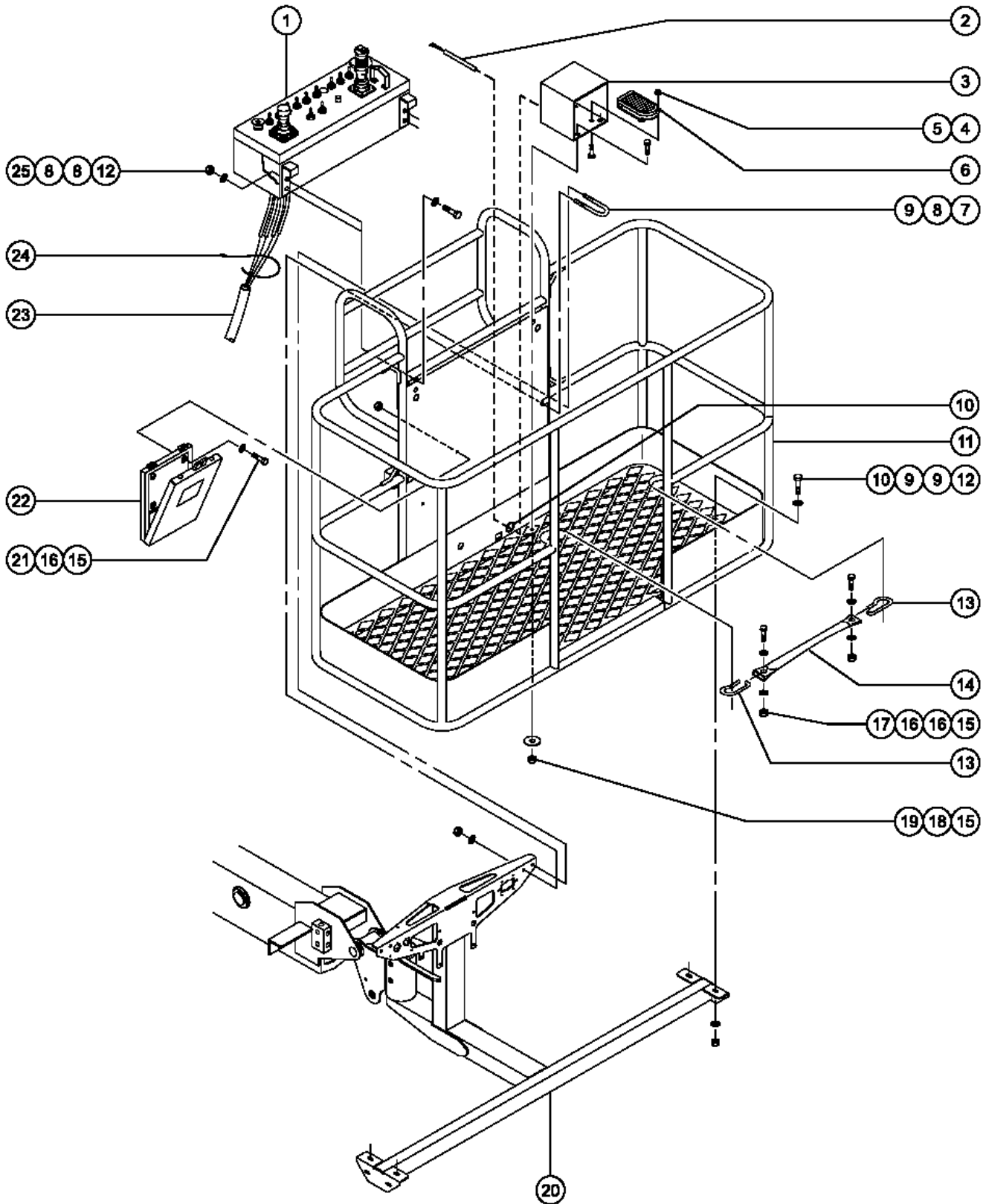
701.1 Platform Installation (to SN 2653)



701.1 Platform Installation (to SN 2653)

| Item | Part No. | Description | Qty. | Item | Part No. | Description | Qty. |
|------|----------|-------------------------------------|------|------|----------|--|------|
| 1 | 52402 | PLAT.CNTRL.BOX COMPLETE-S40 | | 11 | 52093 | PLAT.ASSY,6FT-S40/S60-95' & S80..... | 1 |
| 1 | 62083 | PLAT.CNTRL.BOX COMPLETE-S45 | | | | <i>ANSI and CSA; includes index numbers 13 through 17, 22 and 23</i> | |
| 2 | 32708 | FOOTSWITCH ASSY W/CONN..... | 1 | -- | 52081 | PLAT.ASSY,EURO,6 FT,S40/60/80..... | 1 |
| -- | 22432 | ANDERSON HOUSING,15-45 AMP BLK..... | 1 | | | <i>CE; includes index numbers 13 through 17, 22 and 23</i> | |
| -- | 22433 | ANDERSON HOUSING,15-45,AMP,WHT..... | 1 | -- | 52082 | PLAT ASSY,8 FT,SERV,S40/60/80..... | 1 |
| -- | 22434 | ANDERSON HOUSING,15-45 AMP RED..... | 1 | | | <i>ANSI and CSA; includes index numbers 13 through 17, 22 and 23</i> | |
| -- | 29350 | TERMINAL,ANDERSON,15A 16-20GA..... | 1 | -- | 52083 | PLAT.ASSY,EURO,8 FT,S40/60..... | 1 |
| -- | 40610 | TERMINAL,PIN..... | 1 | | | <i>CE; includes index numbers 13 through 17, 22 and 23</i> | |
| -- | 43960 | WIRE CABLE,16GA/4 CON.TPE JKT*..... | 60 | -- | 54817P-S | TOEBOARD,PLTFM ENTRY EUR,PNTD*..... | 1 |
| -- | 45200 | SPACER,SHORT ANDERSON..... | 1 | | | <i>CE Platform</i> | |
| -- | 45313 | PLUG,W/LATCH,4 POLE,ANDERSON..... | 1 | 12 | 6019 | SCREW,HHC,3/8-16 X 1.25 GRD 5..... | 12 |
| 3 | 32709 | CONNECTOR ASSY,FOOTSWITCH S40..... | 1 | 13 | 12443 | MIDRAIL GUIDE (HOOK)..... | 2 |
| -- | 22432 | ANDERSON HOUSING,15-45 AMP BLK..... | 1 | 14 | 102992 | SLIDING MIDRAIL KIT,PTD..... | 1 |
| -- | 22433 | ANDERSON HOUSING,15-45,AMP,WHT..... | 1 | | | <i>includes 2 each index numbers 13, 15, 16 and 17</i> | |
| -- | 22434 | ANDERSON HOUSING,15-45 AMP RED..... | 1 | -- | 139451 | TUBE,SLIDING MIDRAIL,PAINTED..... | 1 |
| -- | 29350 | TERMINAL,ANDERSON,15A 16-20GA..... | 1 | -- | 20973 | WIRE LOOM,3/8 POLY SLIT..... | 1 |
| -- | 40610 | TERMINAL,PIN..... | 1 | -- | 21121 | CABLE TIE,4" BLK,HEAT RESISTNT..... | 1 |
| -- | 43960 | WIRE CABLE,16GA/4 CON.TPE JKT*..... | 8 | 15 | 6091 | NUT,NYLOCK,1/4-20..... | 10 |
| -- | 45139 | RECEPT.,SNAP-IN,4 POLE ANDERSN..... | 1 | 16 | 6638 | WASHER,FLAT,USS,1/4"Y..... | 14 |
| -- | 45201 | SPACER,LONG ANDERSON..... | 1 | 17 | 8915 | SCREW,HHC,1/4-20 X 1.25..... | 2 |
| 4 | 32710 | GUARD,FOOTSWITCH,W/DECAL STEEL..... | 1 | 18 | 49693 | WASHER,FENDER,.25X1.50X.074.2 | |
| 5 | 6178 | NUT,NYLOCK,10-32..... | 4 | 19 | 6888 | SCREW,HHC,1/4-20 X 1..... | 4 |
| 6 | 17626 | SCREW,FHM,10-32 X .75..... | 4 | 20 | 50144-S | PLATFORM SUPPORT WELDMENT***..... | 1 |
| 7 | 13482 | FOOT SWITCH***..... | 1 | 21 | | Ref. Hydraulic Rotator - Platform (refer to Figure 605.1 or Figure 606.1)..... | 1 |
| -- | 20262 | MICROSWITCH,13482 FOOTSWITCH..... | 1 | 22 | 6090 | SCREW,HHC,1/4-20 X .7..... | 4 |
| 8 | 6550 | U-BOLT,3/8-16X 1.5 X2.5 X1.25..... | 2 | 23 | 44743 | MANUAL BOX W/DECALS***..... | 1 |
| 9 | 5397 | WASHER,FLAT,USS,5/16",Y..... | 20 | 24 | 28131 | WIRE LOOM,1.25 DIA..... | 66 |
| 10 | 4828 | NUT,NYLOCK,3/8-16..... | 8 | -- | 28678 | SLEEVE,NYLON,2" I.D.,BULK(100')..... | 66 |
| | | | | 25 | 28443 | CABLE TIE,11.5" BLACK..... | 5 |
| | | | | 26 | 7713 | NUT,LP NYLOCK,3/8-16..... | 4 |

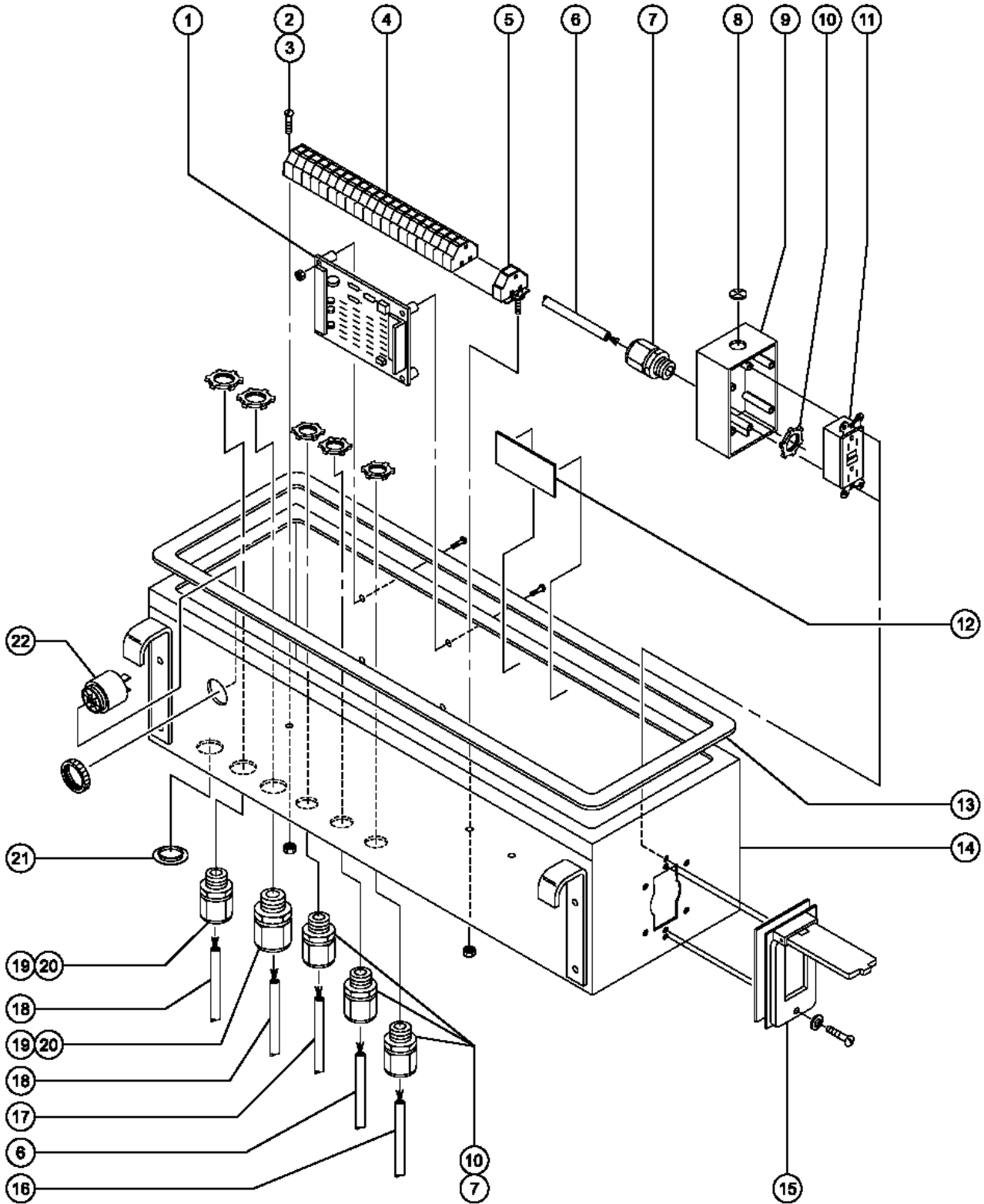
702.1 Platform Installation (from SN 2654)



702.1 Platform Installation (from SN 2654)

| Item | Part No. | Description | Qty. | Item | Part No. | Description | Qty. |
|------|----------|--|------|------|----------|--|------|
| 1 | 52402 | PLAT.CNTRL.BOX COMPLETE-S40 | | 15 | 6091 | NUT,NYLOCK,1/4-20..... | 10 |
| 1 | 62083 | PLAT.CNTRL.BOX COMPLETE-S45 | | 16 | 6638 | WASHER,FLAT,USS,1/4"Y..... | 14 |
| 2 | 43960 | WIRE CABLE,16GA/4 CON.TPE JKT*..... | 60 | 17 | 8915 | SCREW,HHC,1/4-20 X 1.25..... | 2 |
| 3 | 32710 | GUARD,FOOTSWITCH,W/DECAL STEEL..... | 1 | 18 | 49693 | WASHER,FENDER,.25X1.50X.074.2 | |
| 4 | 6178 | NUT,NYLOCK,10-32..... | 4 | 19 | 6888 | SCREW,HHC,1/4-20 X 1..... | 4 |
| 5 | 17626 | SCREW,FHM,10-32 X .75..... | 4 | 20 | 50144-S | PLATFORM SUPPORT WELDMNT***..... | 1 |
| 6 | 13482 | FOOT SWITCH***..... | 1 | | | <i>from SN 2654 to 5277</i> | |
| -- | 20262 | MICROSWITCH,13482 FOOTSWITCH..... | 1 | -- | 60370-S | PLATFORM SUPPORT WELDMNT-SERV*..... | 1 |
| | | | | | | <i>from SN 5278</i> | |
| 7 | 6550 | U-BOLT,3/8-16X 1.5 X2.5 X1.25..... | 2 | 21 | 6090 | SCREW,HHC,1/4-20 X .7..... | 4 |
| 8 | 5397 | WASHER,FLAT,USS,5/16",Y..... | 20 | 22 | 44743 | MANUAL BOX W/DECALS***..... | 1 |
| 9 | 4828 | NUT,NYLOCK,3/8-16..... | 8 | 23 | 28131 | WIRE LOOM,1.25 DIA..... | 66 |
| 10 | 53517 | GROMMET,RUBBER .5 X .014 X .75..... | 1 | -- | 28678 | SLEEVE,NYLON,2" I.D.,BULK(100')..... | 66 |
| 11 | 52093 | PLAT.ASSY,6FT-S40/S60-95'& S80..... | 1 | 24 | 28443 | CABLE TIE,11.5" BLACK..... | 5 |
| | | <i>ANSI and CSA; includes index numbers 13 through 17, 21 and 22</i> | | 25 | 7713 | NUT,LP NYLOCK,3/8-16..... | 4 |
| -- | 52081 | PLAT.ASSY,EURO,6 FT,S40/60/80..... | 1 | | | | |
| | | <i>CE; includes index numbers 13 through 17, 21 and 22</i> | | | | | |
| -- | 52082 | PLAT ASSY,8 FT,SERV,S40/60/80..... | 1 | | | | |
| | | <i>ANSI and CSA; includes index numbers 13 through 17, 21 and 22</i> | | | | | |
| -- | 52083 | PLAT.ASSY,EURO,8 FT,S40/60..... | 1 | | | | |
| | | <i>CE; includes index numbers 13 through 17, 21 and 22</i> | | | | | |
| -- | 54817P-S | TOEBOARD,PLTFM ENTRY EUR,PNTD*..... | 1 | | | | |
| | | <i>CE Platform</i> | | | | | |
| 12 | 6019 | SCREW,HHC,3/8-16 X 1.25 GRD 5..... | 12 | | | | |
| 13 | 12443 | MIDRAIL GUIDE (HOOK)..... | 2 | | | | |
| 14 | 102992 | SLIDING MIDRAIL KIT,PTD..... | 1 | | | | |
| | | <i>includes 2 each index numbers 13, 15, 16 and 17</i> | | | | | |
| -- | 139451 | TUBE,SLIDING MIDRAIL,PAINTED..... | 1 | | | | |
| -- | 20973 | WIRE LOOM,3/8 POLY SLIT..... | 1 | | | | |
| -- | 21121 | CABLE TIE,4" BLK,HEAT RESISTNT..... | 1 | | | | |

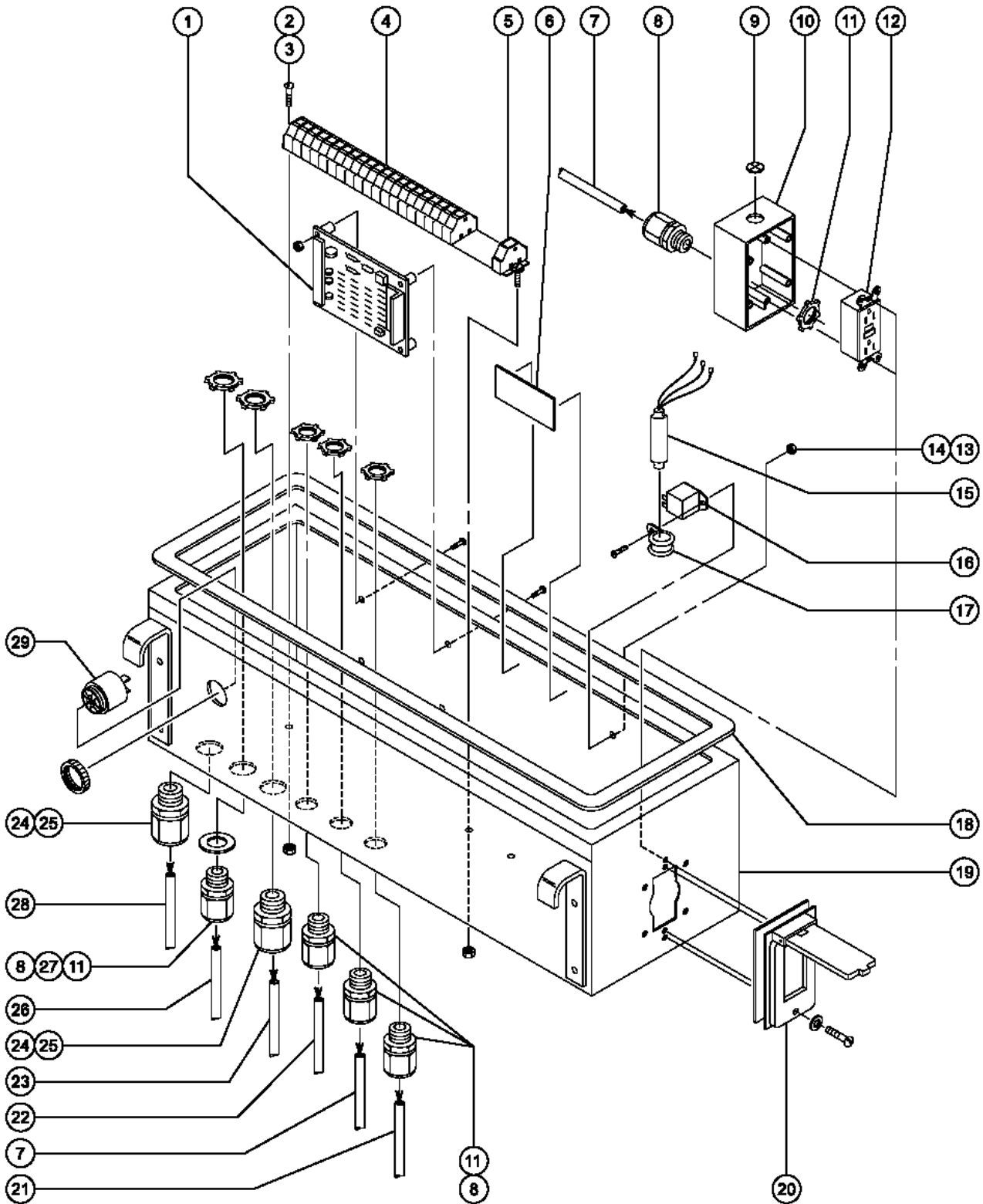
703.1 Platform Controls - View 1



703.1 Platform Controls - View 1

| Item | Part No. | Description | Qty. | Item | Part No. | Description | Qty. |
|------|----------|--|------|------|----------|---------------------------------------|------|
| -- | 52402 | PLAT.CNTRL.BOX COMPLETE-S40 | | 20 | 14041 | LOCKNUT,ELECTRIC,3/4"..... | 2 |
| 1 | 22052 | LIMITER PC BOARD, HORSEPOWER.....1 <i>includes mounting fasteners</i> | | 21 | 45385 | PLUG,NYLON 1.12 BLACK DOMED..... | 1 |
| 2 | 45546 | SCREW,RHM,6-32 X .5..... | 2 | 22 | 45383 | ALARM,WARBLE TONE 5-30 VDC***..... | 1 |
| 3 | 12344 | NUT,NYLOCK,6-32..... | 2 | | | <i>Does not include 72326 nut</i> | |
| 4 | 32637 | TERMINAL BLOCK,WAGO..... | 43 | -- | 72326 | NUT - PLASTIC,RING FOR ALARMS..... | 1 |
| -- | 32638 | TERMINAL BLOCK,WAGO..... | 2 | | | | |
| 5 | 32639 | END PLATE,WAGO..... | 1 | | | | |
| 6 | 30794 | WIRE,12/3 SJEOW,BULK,BLK-WHT-G..... | 696 | | | | |
| 7 | 7056 | CONN,SQUEEZE,1/2NPT .38-.50,SM..... | 4 | | | | |
| 8 | 8843 | COVER,KNOCK OUT HOLE,4 PER BAG..... | 1 | | | | |
| 9 | 10775 | T-BOX,2.75 X 4.5 X 2.0..... | 1 | | | | |
| 10 | 6935 | LOCKNUT,ELEC,1/2"..... | 4 | | | | |
| 11 | 13585 | OUTLET,110V GFCI***..... <i>North America</i> | 1 | | | | |
| -- | 35003 | RECEPTACLE, BRITISH, 110V..... | 1 | | | | |
| 12 | 30997 | CORROSION INHIBITOR,FOAM.... | 1 | | | | |
| 13 | 27115 | GASKET,UPPER CONTROL BOX..... | 1 | | | | |
| 14 | 52365 | CONTROL BOX W/LID & DECAL.... <i>includes index numbers 12, 13 and threaded inserts</i> | 1 | | | | |
| -- | 23404 | NUTSERT,1/4-20,STEEL CAD PLTD..... | 1 | | | | |
| 15 | 45437 | COVER,GFCI,WEATHERPROOF.... <i>includes mounting fasteners</i> | 1 | | | | |
| -- | 33629 | PLATE,UK POWER TO PLATFORM..... | 1 | | | | |
| | | <i>British</i> | | | | | |
| -- | 33724 | KIT,GASKET,UK POWER TO PLAT..... | 1 | | | | |
| | | <i>British</i> | | | | | |
| 16 | 43960 | WIRE CABLE,16GA/4 CON.TPE JKT*..... | 60 | | | | |
| 17 | 43955 | WIRE CABLE,12GA/3 CON.TPE JKT*..... | 720 | | | | |
| 18 | 48533 | WIRE CABLE,18GA/19 CON.BNDREX..... | 696 | | | | |
| | | <i>S-40</i> | | | | | |
| 19 | 12960 | CABLE SQUEEZE CONN.,XTRA LRG..... | 2 | | | | |

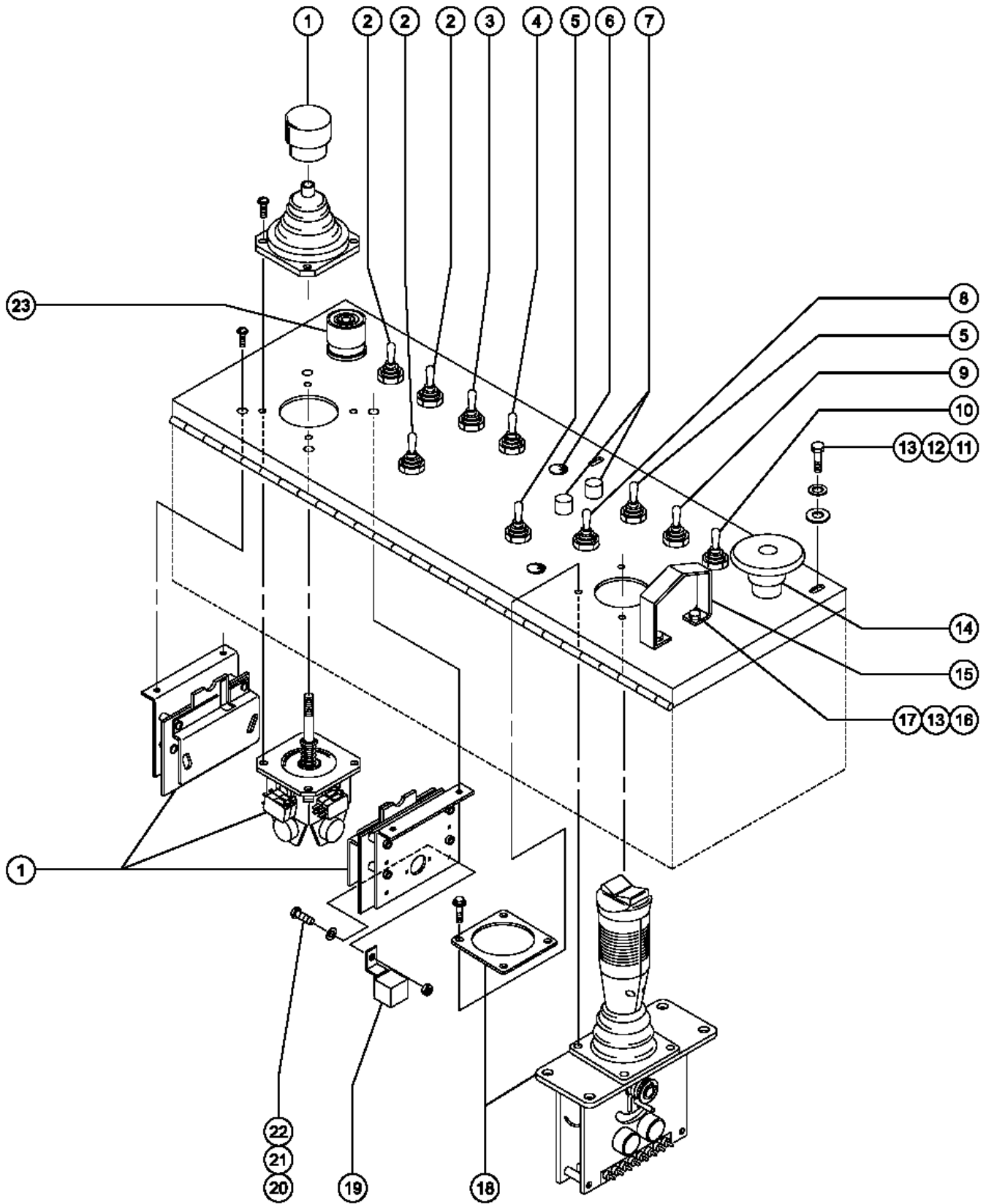
704.1 Platform Controls - View 1



704.1 Platform Controls - View 1

| Item | Part No. | Description | Qty. | Item | Part No. | Description | Qty. |
|------|----------|--|------|------|----------|---|------|
| -- | 62083 | PLAT.CNTRL.BOX COMPLETE-S45 | | 22 | 43960 | WIRE CABLE,16GA/4 CON.TPE | |
| 1 | 22052 | LIMITER PC BOARD, HORSEPOWER.....1 <i>includes mounting fasteners</i> | 1 | | | JKT*.....840 | 840 |
| 2 | 45546 | SCREW,RHM,6-32 X .5.....2 | 2 | 23 | 48533 | WIRE CABLE,18GA/19 CON.BNDREX.....816 S-45 | 816 |
| 3 | 12344 | NUT,NYLOCK,6-32.....2 | 2 | 24 | 12960 | CABLE SQUEEZE CONN.,XTRA LRG.....2 | 2 |
| 4 | 32637 | TERMINAL BLOCK,WAGO.....43 | 43 | 25 | 14041 | LOCKNUT,ELECTRIC,3/4".....2 | 2 |
| -- | 32638 | TERMINAL BLOCK,WAGO.....2 | 2 | 26 | 43955 | WIRE CABLE,12GA/3 CON.TPE JKT*.....840 | 840 |
| 5 | 32639 | END PLATE,WAGO.....1 | 1 | 27 | 34769 | WASHER,REDUCING 3/4" TO 1/2".....1 | 1 |
| 6 | 30997 | CORROSION INHIBITOR,FOAM.....1 | 1 | 28 | 48533 | WIRE CABLE,18GA/19 CON.BNDREX.....816 | 816 |
| 7 | 30794 | WIRE,12/3 SJEOW,BULK,BLK-WHT-G.....720 | 720 | 29 | 45383 | ALARM,WARBLE TONE 5-30 VDC***.....1 <i>Does not include 72326 nut</i> | 1 |
| 8 | 7056 | CONN,SQUEEZE,1/2NPT .38-.50,SM.....5 | 5 | -- | 72326 | NUT - PLASTIC,RING FOR ALARMS.....1 | 1 |
| 9 | 8843 | COVER,KNOCK OUT HOLE,4 PER BAG.....1 | 1 | | | | |
| 10 | 10775 | T-BOX,2.75 X 4.5 X 2.0.....1 | 1 | | | | |
| 11 | 6935 | LOCKNUT,ELEC,1/2".....5 | 5 | | | | |
| 12 | 13585 | OUTLET,110V GFCI***.....1 <i>North America</i> | 1 | | | | |
| -- | 35003 | RECEPTACLE, BRITISH, 110V.....1 | 1 | | | | |
| 13 | 6178 | NUT,NYLOCK,10-32.....1 | 1 | | | | |
| 14 | 5094 | SCREW,RHM,10-32 X .5.....1 | 1 | | | | |
| 15 | 43181 | CAPACITOR,TIME DELAY.....1 | 1 | | | | |
| 16 | 19274 | RELAY,SPDT,12V(AUTO)**.....1 | 1 | | | | |
| 17 | 13268 | CLAMP,0.75,#12 X 1/4,RUB CUSH.....1 | 1 | | | | |
| 18 | 27115 | GASKET,UPPER CONTROL BOX.....1 | 1 | | | | |
| 19 | 52365 | CONTROL BOX W/LID & DECAL....1 <i>includes index numbers 6, 18 and threaded inserts</i> | 1 | | | | |
| -- | 23404 | NUTSERT,1/4-20,STEEL CAD PLTD.....1 | 1 | | | | |
| 20 | 45437 | COVER,GFCI,WEATHERPROOF....1 <i>includes mounting fasteners</i> | 1 | | | | |
| -- | 33629 | PLATE,UK POWER TO PLATFORM.....1 <i>British</i> | 1 | | | | |
| -- | 33724 | KIT,GASKET,UK POWER TO PLAT.....1 <i>British</i> | 1 | | | | |
| 21 | 43960 | WIRE CABLE,16GA/4 CON.TPE JKT*.....60 | 60 | | | | |

705.1 Platform Controls - View 2



705.1 Platform Controls - View 2

| Item | Part No. | Description | Qty. | Item | Part No. | Description | Qty. |
|------|----------|---|------|------|----------|---|------|
| -- | 52402 | PLAT.CNTRL.BOX COMPLETE-S40 | | -- | 56848 | WASHER,LOCK,IND,LAMP RETAINER..... | 1 |
| -- | 62083 | PLAT.CNTRL.BOX COMPLETE-S45 | | 1 | | | |
| 1 | | Ref., JOYSTICK,MULT AXIS CONT,OEM*** | 1 | 8 | 128205 | SWITCH TOGGLE ASSY DPDT 2P MNT..... | 1 |
| | | <i>refer to 707.1</i> | | | | <i>includes mounting fasteners</i> | |
| 2 | 128202 | SWITCH TOGGLE ASSY DPDT 3P MOM..... | 3 | -- | 27246 | BOOT,TOGGLE SWITCH,SHORT*..... | 1 |
| | | <i>includes mounting fasteners</i> | | 9 | 128206 | SWITCH TOGGLE ASSY DPDT 3P MNT..... | 1 |
| -- | 27246 | BOOT,TOGGLE SWITCH,SHORT*..... | 3 | | | <i>includes mounting fasteners</i> | |
| -- | 54692 | SPACER,NYLON,.718 X .526 X.219..... | 3 | -- | 27246 | BOOT,TOGGLE SWITCH,SHORT*..... | 1 |
| 3 | 128200 | SWITCH TOGGLE ASSY SPDT 3P MOM..... | 1 | 10 | 128204-S | SWITCH TOGGLE ASSY SPDT 2P MNT..... | 1 |
| | | <i>includes mounting fasteners</i> | | | | <i>Gasoline/LPG models; includes mounting fasteners</i> | |
| 3 | 27246 | BOOT,TOGGLE SWITCH,SHORT*..... | 1 | -- | 27246 | BOOT,TOGGLE SWITCH,SHORT*..... | 1 |
| -- | 27246 | BOOT,TOGGLE SWITCH,SHORT*..... | 1 | -- | 54692 | SPACER,NYLON,.718 X .526 X.219..... | 1 |
| -- | 54692 | SPACER,NYLON,.718 X .526 X.219..... | 1 | 11 | 6090 | SCREW,HHC,1/4-20 X .7..... | 3 |
| 4 | 128201 | SWITCH TOGGLE ASSY DPDT 2P MOM..... | 1 | 12 | 6356 | WASHER,LOCK,.25..... | 3 |
| | | <i>includes mounting fasteners</i> | | 13 | 6638 | WASHER,FLAT,USS,1/4"Y..... | 3 |
| -- | 27246 | BOOT,TOGGLE SWITCH,SHORT*..... | 1 | 14 | 122514 | KIT,ESTOP SVC BB&SM BOOM..... | 1 |
| -- | 54692 | SPACER,NYLON,.718 X .526 X.219..... | 1 | | | <i>includes parts 66812, 66818 and 66821</i> | |
| 5 | 128200 | SWITCH TOGGLE ASSY SPDT 3P MOM..... | 2 | -- | 66812 | E-STOP BUTTON..... | 1 |
| | | <i>includes mounting fasteners</i> | | -- | 66818 | CONTACT,NC..... | 1 |
| -- | 27246 | BOOT,TOGGLE SWITCH,SHORT*..... | 2 | -- | 66821 | BASE,WITHOUT CONTACTS..... | 1 |
| -- | 54692 | SPACER,NYLON,.718 X .526 X.219..... | 2 | 15 | 27033P | SUPPORT,WRIST,PAINTED-BLUE.. | 1 |
| 6 | 45384 | PLUG,NYLON .50 BLACK DOMED..... | 3 | 16 | 8914 | SCREW,HHC,1/4-20 X .625..... | 2 |
| | | <i>Gasoline/LPG models</i> | | 17 | 6091 | NUT,NYLOCK,1/4-20..... | 2 |
| -- | 45384 | PLUG,NYLON .50 BLACK DOMED..... | 4 | 18 | | Ref., JOYSTICK CONTROLLER,12V..... | 1 |
| | | <i>Diesel models</i> | | | | <i>refer to 706.1</i> | |
| 7 | 56298 | LIGHT,INDICATOR,RED,14V*** | 2 | 19 | 19274 | RELAY,SPDT,12V(AUTO)**..... | 1 |
| | | <i>Gasoline/LPG models</i> | | 20 | 49819 | SCREW,PHILLIPS,PHM,10-32 X .5 | |
| -- | 56298 | LIGHT,INDICATOR,RED,14V*** | 1 | 21 | 6146 | WASHER,FLAT,MS,#10,Y..... | 1 |
| | | <i>Diesel models</i> | | 22 | 6178 | NUT,NYLOCK,10-32..... | 1 |
| | | | | 23 | 122513 | KIT,HORN SVC BB&SM BOOM..... | 1 |
| | | | | -- | 146478 | BOOT(BELLOWS),E-STOP,BLACK | |
| | | | | -- | 66813 | BUTTON,PUSH,BLACK W/SEAL *** | 1 |

705.1 Platform Controls - View 2
(continued)

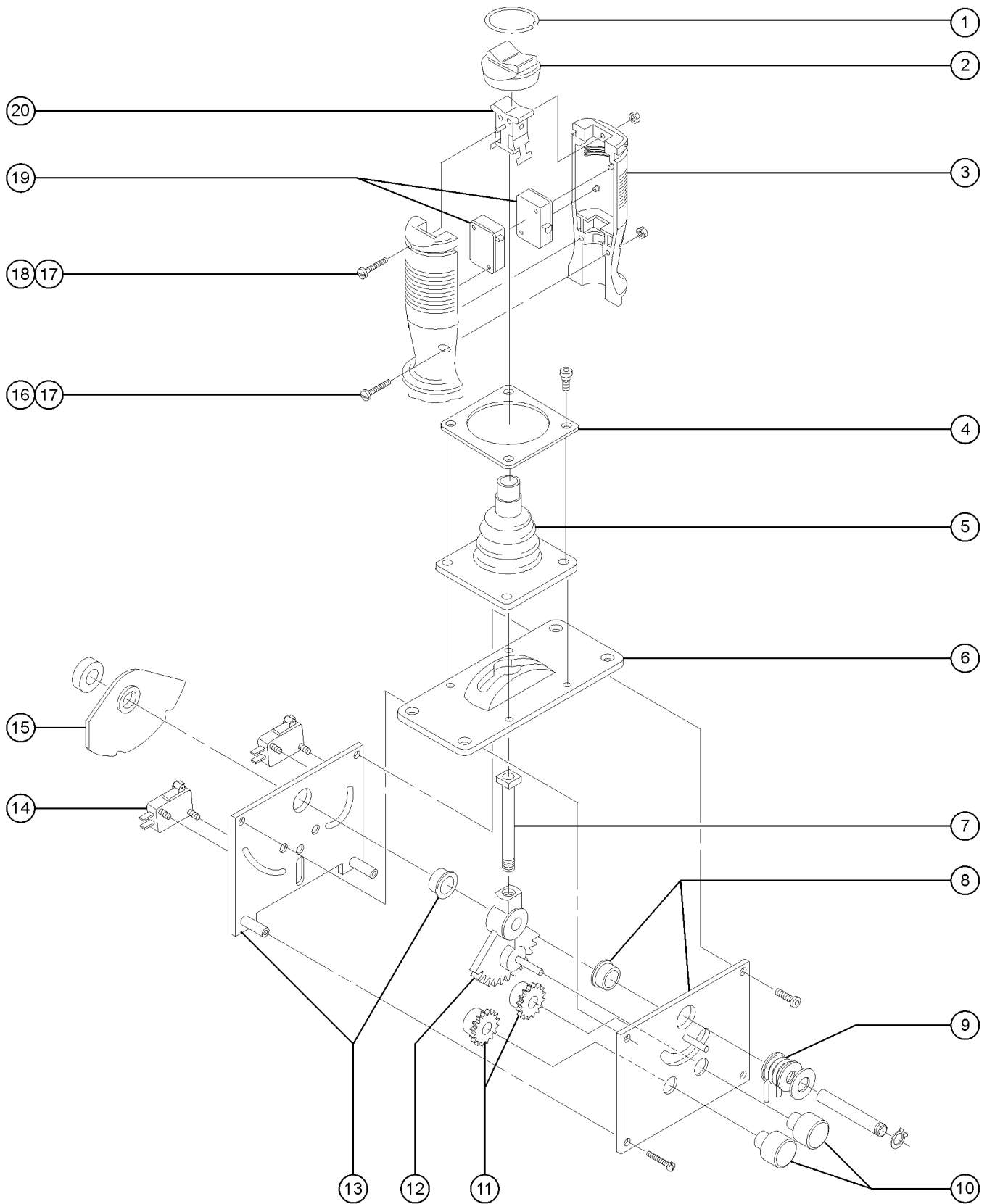
| Item | Part No. | Description | Qty. |
|------|----------|---------------------------------|------|
| -- | 66815 | BASE, W/1 N.O. CONTACTS***..... | 1 |
| -- | 66816 | CONTACT,N.O.***..... | 1 |

Footnotes

1: Quantity listed for this item is approximate.
Actual quantity may vary to ensure proper fit.

This Page Intentionally Left Blank

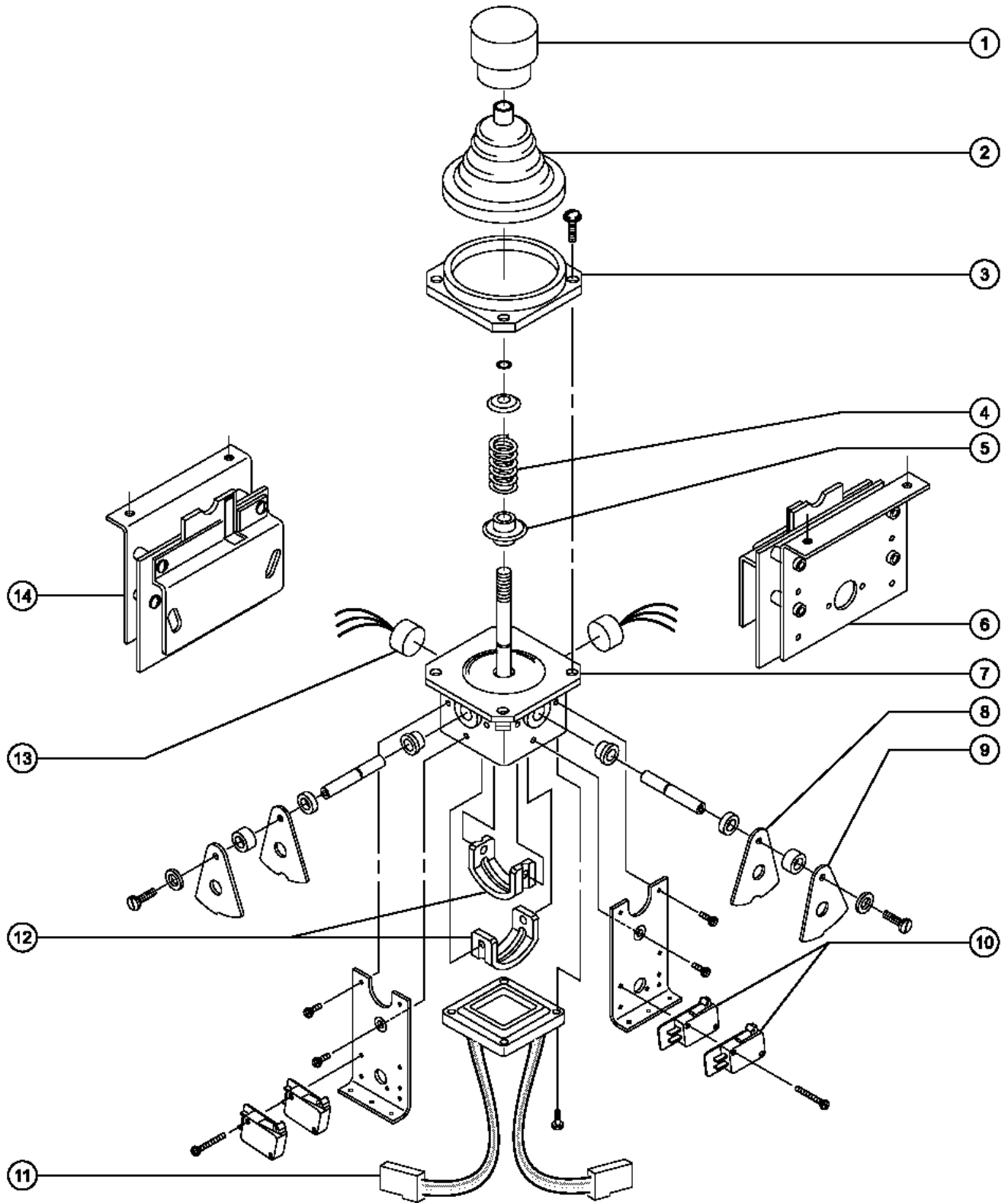
706.1 Joystick Controller - Drive/Steer Functions



706.1 Joystick Controller - Drive/Steer Functions

| Item | Part No. | Description | Qty. |
|------|----------|--|------|
| -- | 20424 | JOYSTICK CONTROLLER,12V | |
| 1 | 25882 | LOCK RING..... | 1 |
| 2 | 25881 | BOOT,THUMB 20424 JOYSTICK..... | 1 |
| 3 | 25883 | HANDLE HALF,JOYSTICK (20424)..... | 2 |
| -- | 49887 | NUT & BOLT KIT (25883)..... | 1 |
| -- | 72245 | KIT, JOYSTICK HANDLE <i>includes handles, rocker and nut/bolt kit</i> | |
| 4 | 44221 | COLLAR, BOOT RETAINING..... | 1 |
| 5 | 22368 | BOOT (20424)..... | 1 |
| 6 | 25884 | COVER CASTING,20424 CONTROLLER..... | 1 |
| 7 | 44211 | SHAFT,W/NF STYL BLOCK,(20424)*..... | 1 |
| 8 | 65535 | POT PLATE ASSEMBLY (20424)..... <i>includes bearing and terminal strip</i> | 1 |
| -- | 52778 | BEARING,FLANGED,.376ID (20424)..... | 2 |
| 9 | 58209 | SPRING,RETURN***..... | 1 |
| 10 | 22364 | POTENTIOMETER (20424)..... | 2 |
| 11 | 22367 | SPUR GEAR (20424)..... | 2 |
| 12 | 44212 | GEAR CASTING,20424 CONTROLLER*..... | 1 |
| -- | 52778 | BEARING,FLANGED,.376ID (20424) | |
| -- | 65536 | SWITCH PLATE ASSEMBLY(20424)..... <i>includes bearing and stand-offs</i> | 2 |
| 14 | 22365 | SWITCH (20424)..... | 2 |
| 15 | 22366 | CAM ASSY (20424)..... | 1 |
| 16 | 52776 | SCREW,HEX,M4X0.7X10MM (20424)*..... | 2 |
| 17 | 52777 | NUT,HEX,M4 X 0.7 MM (20424)***..... | 3 |
| 18 | 52775 | SCREW,HEX,M4X0.7X30MM (20424)*..... | 1 |
| 19 | 23680 | SWITCH,HANDLE,20424..... | 2 |
| 20 | 23688 | ROCKER ASSY,HANDLE (20424)***..... | 1 |

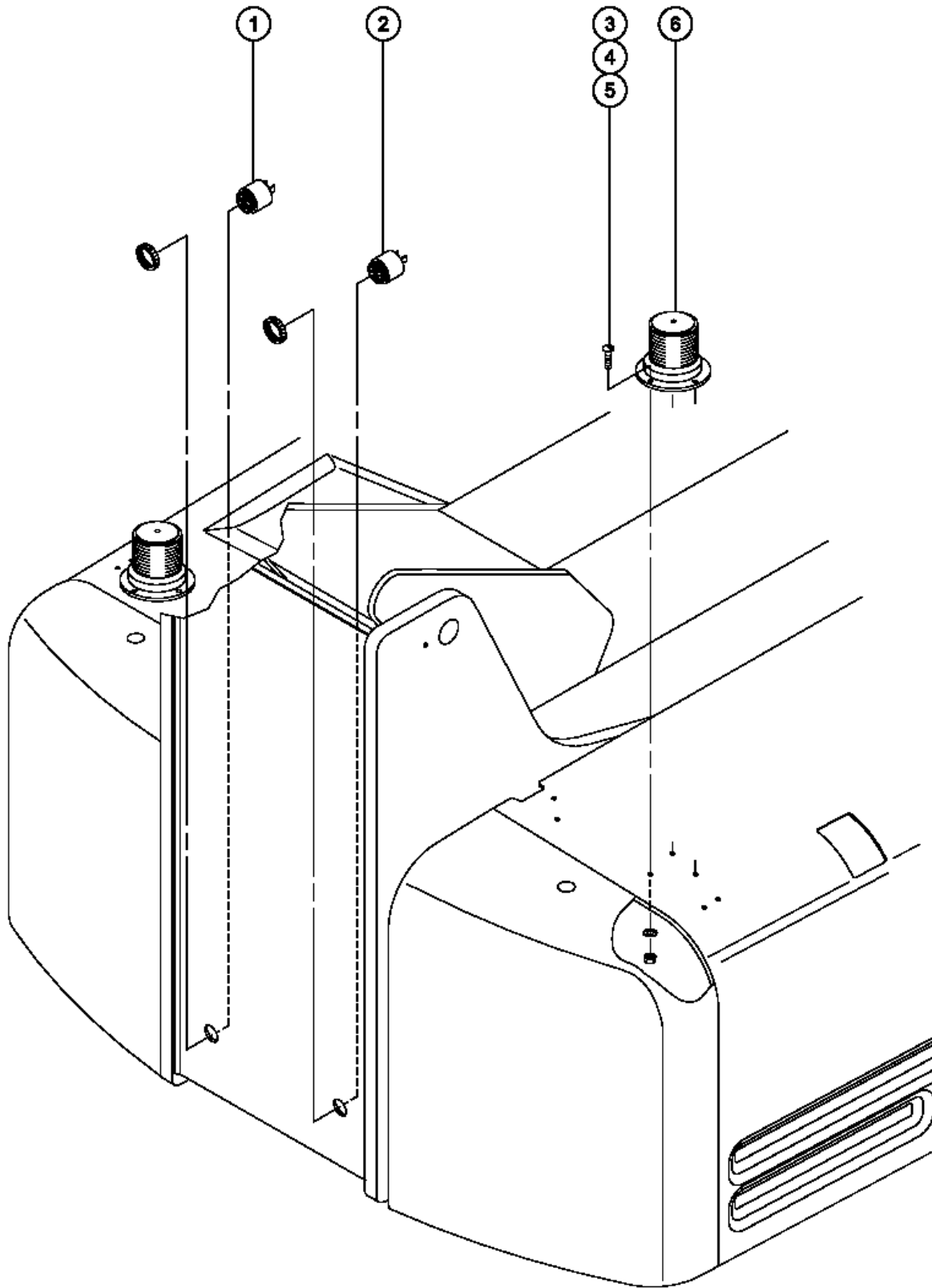
707.1 Joystick Controller - Boom Functions, Multi-axis



707.1 Joystick Controller - Boom Functions, Multi-axis

| Item | Part No. | Description | Qty. |
|------|----------|--|------|
| 1 | 27133 | HANDLE,CAP,CONTROLLER..... | 1 |
| 2 | 27134 | BOOT,CONTROLLER..... | 1 |
| 3 | 46272 | FLANGE-JOYSTICK MOUNTING,44988..... | 1 |
| 4 | 27511 | SPRING,24493 CONTROLLER..... | 1 |
| 5 | 31283 | BUSHING,SPRING SEAT..... | 1 |
| 6 | 52585 | PCB,11179CD,(LIFT)***..... | 1 |
| 7 | 52587 | SHAFT & HOUSING ASSY..... | 1 |
| 8 | 52588 | DRIVE GEAR - INSIDE #53073..... | 2 |
| 8A | 58477 | SHAFT (52587)***..... | 2 |
| 9 | 52589 | DRIVE GEAR - OUTSIDE #53073...2 | |
| 10 | 19712 | MICROSWITCH,V3L-139-D8..... | 4 |
| 11 | 58923 | SADDLE BRCKT40613,34419,53073*..... <i>harness shown for illustration purpose only</i> | 1 |
| 12 | 37948 | SADDLES-SET(24493,40613,53073.1 | |
| 13 | 52591 | POTENTIOMETER-JOYSTCK(53073).2 | |
| 13 | 65827 | ADAPTER (53073,52591) **..... | 2 |
| 14 | 52586 | PCB,11179AB, (SWING)***..... | 1 |
| -- | 53073 | JOYSTICK,MULT AXIS CONT,OEM*** | |

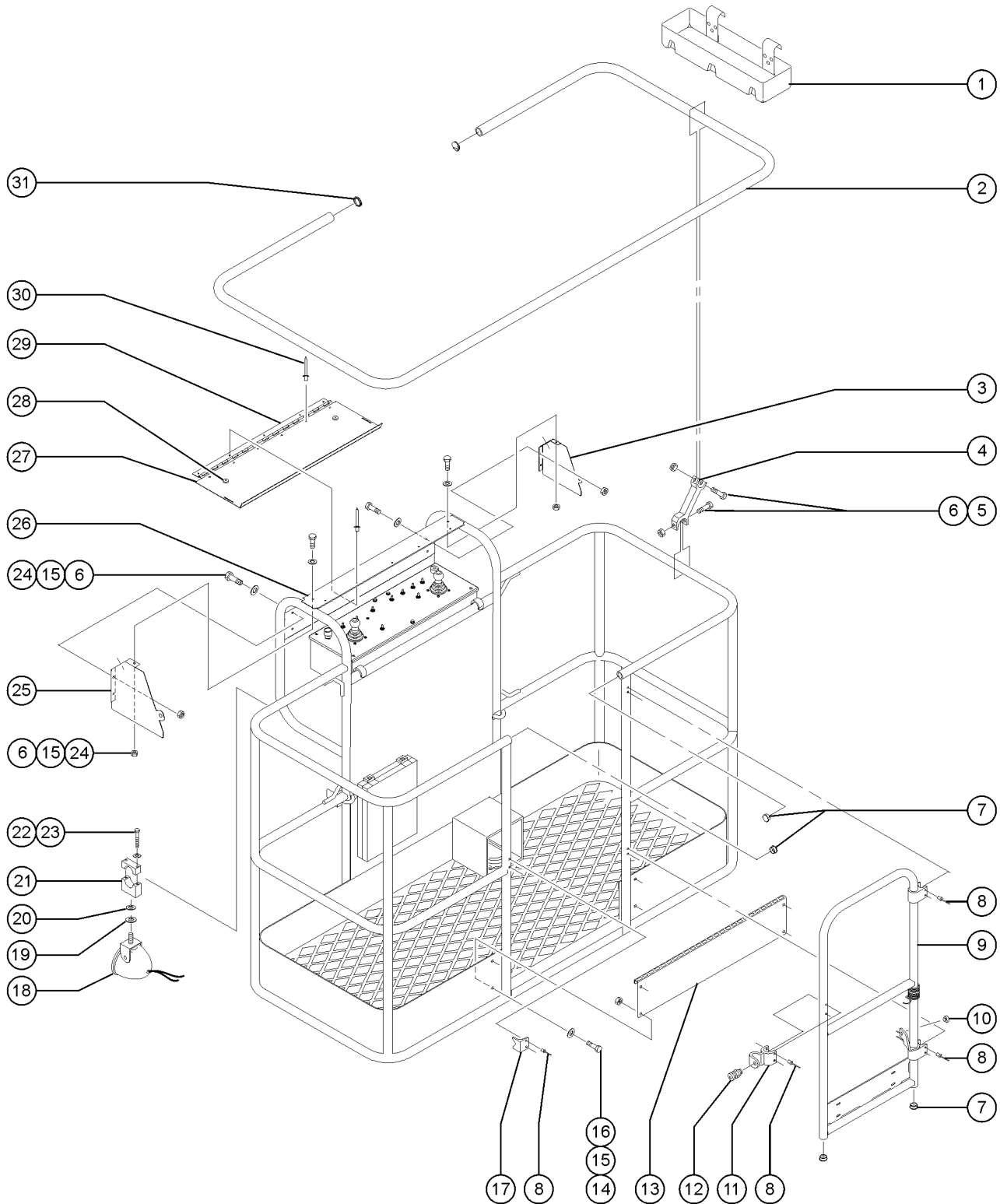
801.1 Alarm and Beacon Package



801.1 Alarm and Beacon Package

| Item | Part No. | Description | Qty. |
|------|----------|--|------|
| 1 | 45462 | ALARM,CHIME TONE 5-25VDC***1 <i>Does not include 72326 nut</i> | 1 |
| -- | 72326 | NUT - PLASTIC,RING FOR ALARMS.....1 | 1 |
| 2 | 18963 | ALARM,INTERMITTENT TONE 6-30V*.....1 <i>Does not include 72326 nut</i> | 1 |
| -- | 72326 | NUT - PLASTIC,RING FOR ALARMS.....1 | 1 |
| 3 | 6147 | SCREW,RHM,10-32 X 1.....6 | 6 |
| 4 | 6146 | WASHER,FLAT,MS,#10,Y.....6 | 6 |
| 5 | 6178 | NUT,NYLOCK,10-32.....6 | 6 |
| 6 | 20189 | STROBE,FIREBOLT12-72VDC,AMB***.2 | 2 |
| -- | 72282 | LENS,AMBER,STROBE,FIREBOLT.2 | 2 |
| -- | 46985 | ALARM PKG,S-40*** | |

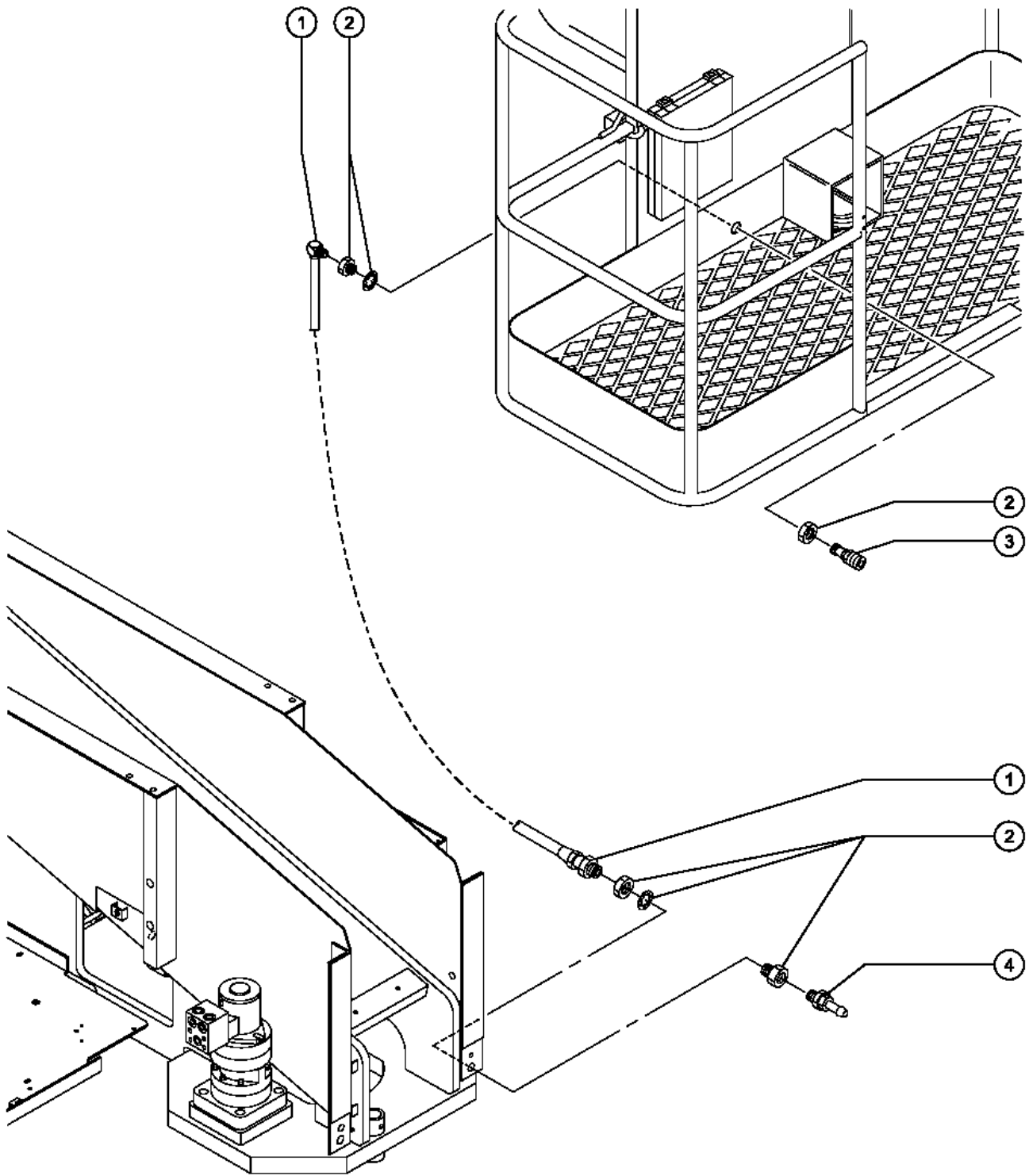
802.1 Platform Options



802.1 Platform Options

| Item | Part No. | Description | Qty. | Item | Part No. | Description | Qty. |
|------|----------|--|------|------|----------|---|------|
| 1 | 9599-S | TOOL TRAY ACCESSORY***..... | 1 | 25 | 119796 | CONTROL BOX COVER,LEFT SIDE | |
| 2 | 53808-S | AUX TOP RAIL,6'(1.25")SERVICE...1 <i>includes 2 each index number 31</i> | 1 | 26 | 119562P | GUARD,PLATFORM CNTRL PANEL PTD | |
| -- | 52661 | PINCH GUARD RAIL,8' PLATFORM**1 <i>includes 2 each index number 31</i> | 1 | -- | 119642 | KIT,PLAT CONTROL PANEL GUARD** <i>includes part 119562P, required for first time installation</i> | |
| 3 | 119797 | CONTROL BOX COVER, RIGHT SIDE | | 27 | 89915P | COVER,CONTROL BOX LID*** | |
| 4 | 1399583 | KIT, AUX TOP RAIL SUPPORT..... | 10 | -- | 119795 | KIT,CONTROL BOX COVER <i>includes part 89915P, index number 26 is required for first time installation</i> | |
| 5 | 4266 | SCREW,HHC,1/4-20 X 2..... | 20 | 28 | 43392 | BUMPER,BATTERY BOX & RAILS | |
| 6 | 6889 | NUT,LP NYLOCK,1/4-20..... | 20 | 29 | 111526 | HINGE,PLAT CONTROL BOX COVER | |
| 7 | 31120 | PLUG,NYLON 1.187 BLACK DOMED..... | 4 | 30 | 54486 | RIVET,ALUM,ALUM,3/16BUTTONHEAD | |
| 8 | 7265 | RIVET,STEEL,P, .25 X .375..... | 14 | 31 | 55753 | BUMPER, PLASTIC, 1.25 O.D..... | 2 |
| 9 | 128368 | KIT,SWING GATE W/SPRING.....1 <i>includes 2 each index number 7</i> | 1 | -- | 119950 | KIT, FIELD INSTALL, SWING GATE | |
| 9A | 119950 | KIT, FIELD INSTALL, SWING GATE <i>includes 128368</i> | | -- | 28856-S | PLAT.PINCH GUARD,8',1.3 | |
| -- | 1487 | GATE LATCH CASTING--DRILLED | | -- | 34321-S | OPTION,WORKLIGHT,12 VOLT | |
| -- | 1488 | RAILING CATCH CASTING--DRILLED | | -- | 53157-S | PINCH GUARD,6'(1.25")SERVICE | |
| -- | 33674 | PIN,LOCK,SHORT*** | | | | | |
| 10 | 43392 | BUMPER,BATTERY BOX & RAILS..... | 1 | | | | |
| 11 | 1487 | GATE LATCH CASTING--DRILLED..... | 1 | | | | |
| 12 | 63311 | SNAP PIN..... | 1 | | | | |
| 13 | 54817P-S | TOEBOARD,PLTFM ENTRY EUR,PNTD*..... | 1 | | | | |
| 14 | 8915 | SCREW,HHC,1/4-20 X 1.25..... | 4 | | | | |
| 15 | 6638 | WASHER,FLAT,USS,1/4"Y..... | 4 | | | | |
| 16 | 6091 | NUT,NYLOCK,1/4-20..... | 6 | | | | |
| 17 | 1488 | RAILING CATCH CASTING--DRILLED..... | 1 | | | | |
| 18 | 35958 | HOUSING,WORKLIGHT***..... | 2 | | | | |
| -- | 35960 | BULB,WORKLIGHT,12V 35W | | | | | |
| 19 | 6036 | WASHER,LOCK,.625 PLTD..... | 1 | | | | |
| 20 | 6035 | WASHER,FLAT,USS,5/8",Y..... | 1 | | | | |
| 21 | 35956 | BRACKET,WORK LIGHT MOUNT 5/16"..... | 2 | | | | |
| 22 | 6145 | SCREW,HHC,1/4-20 X 1.5..... | 4 | | | | |
| 23 | 6356 | WASHER,LOCK,.25..... | 4 | | | | |
| 24 | 6090 | SCREW,HHC,1/4-20 X .7..... | 2 | | | | |

803.1 Air Line to Platform

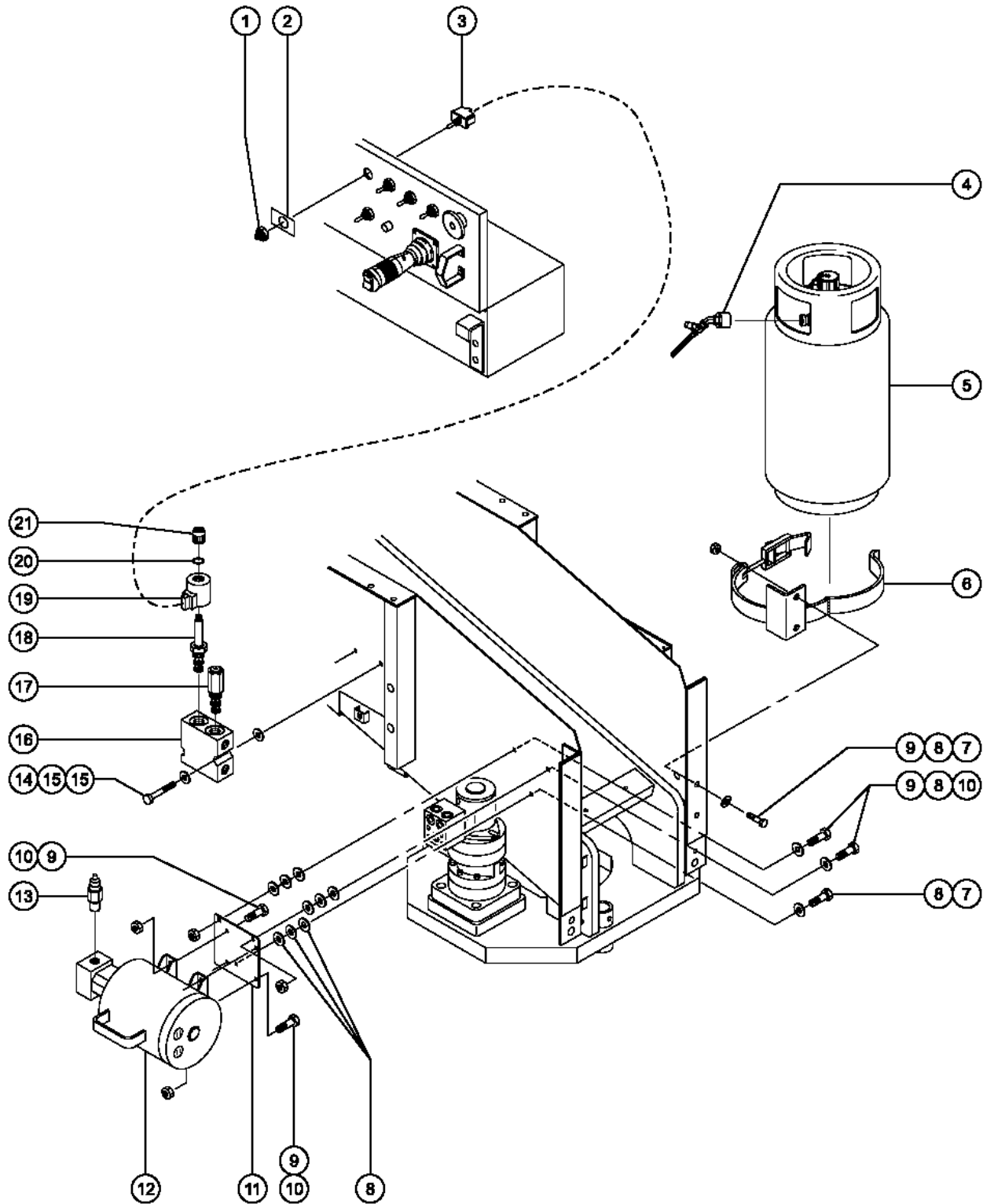


| Item | Part No. | Description | Qty. |
|------|-------------|---|------|
| -- | 30620 | S40 AIRLINE TO PLATFORM | |
| 1 | 49177-71294 | HOSE ASSEMBLY,1/2".....1 1 | |
| 2 | 49212 | FEMALE BULKHEAD CONNECTOR-8.....2 | |
| 3 | 49215 | MPT,CPLR,1/4"SER,3/8"X18.....1 | |
| 4 | 49214 | MALE PIPE THD,1/4" SER,3/8"X18.....1 | |

Footnotes

1: Hose End - Female, JIC 37°, Swivel (Parker No. 30682-8), Hose End - Female, JIC 37°, Swivel (Parker No. 30682-8) and Hose, 1/2 inch, Low Pressure (Parker No. 801-8)




804.1 Generator and Spare LPG Tank

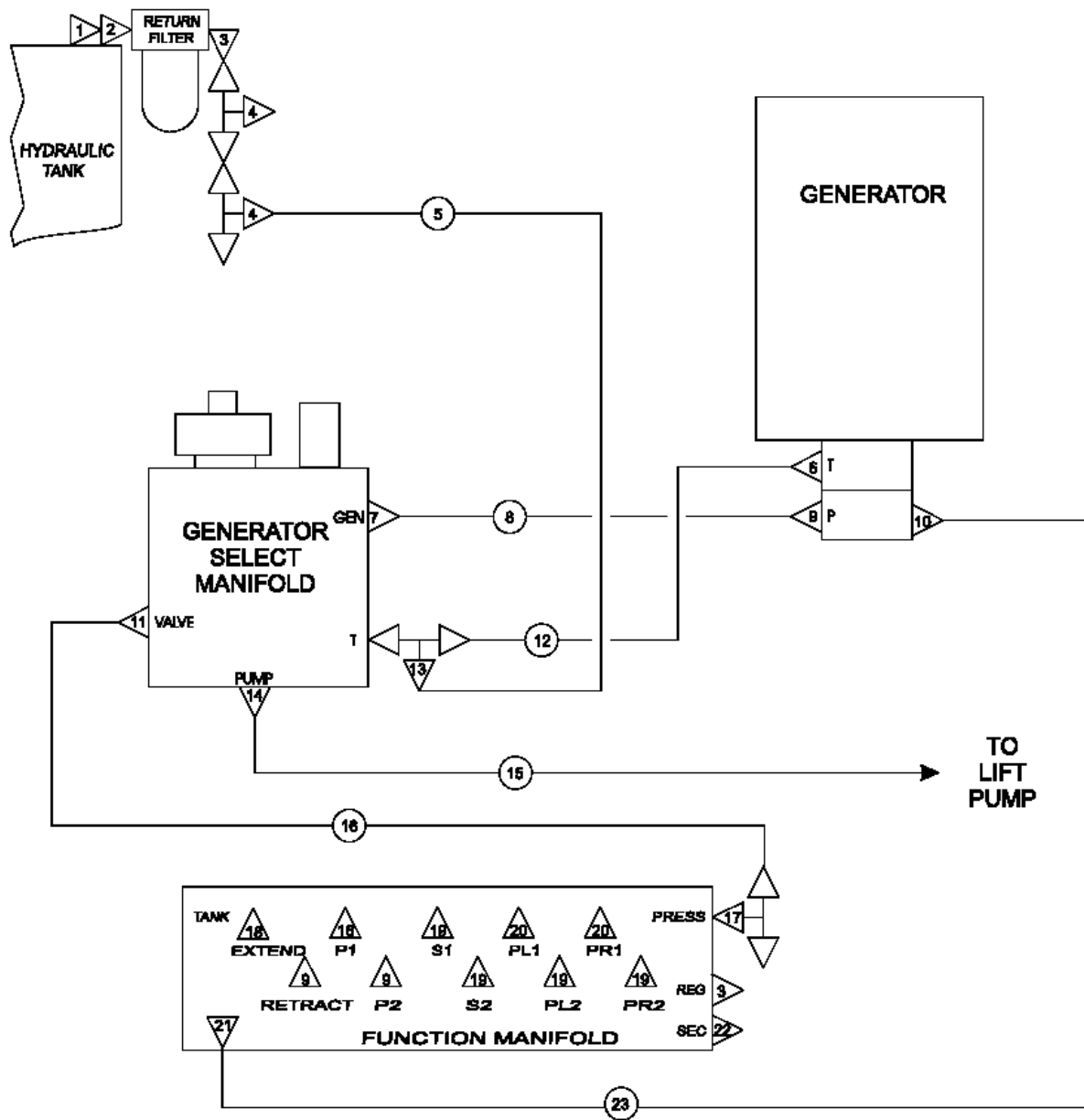


804.1 Generator and Spare LPG Tank

| Item | Part No. | Description | Qty. | Item | Part No. | Description | Qty. |
|------|----------|---|------|------|----------|---|------|
| -- | 30630 | S40,60,80SPARE L.P.TANK W/BRKT | | -- | 36928 | GENERATOR,2500W HYD.220/50HZ.....1 <i>includes index number 13</i> | 1 |
| -- | 46979 | GEN.S40 3000W SERV.SYNFLEX <i>for models with Synflex hoses</i> | | -- | 52000 | BRUSH ASSEMBLY.....1 | 1 |
| -- | 46981 | GEN S40 2000W SERV OPT <i>for models with Synflex hoses</i> | | -- | 52001 | HYDRAULIC MOTOR 3000W GENER.....1 | 1 |
| -- | 52583 | GENERATOR OPTION, 2500 WATT <i>for models with Synflex hoses</i> | | -- | 52085 | BRUSH HOLDER ASSY, 2500W GENER.....1 | 1 |
| -- | 52647 | GENERATOR OPT.2000W(PARKER) <i>for models with Parker hoses</i> | | -- | 52086-R | MOTOR -HYD.2500W GENER REFURB.....1 | 1 |
| -- | 52648 | GENERATOR OPT.-2500W(PARKER) <i>for models with Parker hoses</i> | | -- | 58402 | BRIDGE,50A FULL WAVE**.....1 | 1 |
| -- | 52649 | GENERATOR OPT.-3000W(PARKER) <i>for models with Parker hoses</i> | | -- | 58944 | BRUSH 3/8 X 1/4 X 15/16(36928)....1 | 1 |
| 1 | 27246 | BOOT,TOGGLE SWITCH,SHORT*.....1 | 1 | 13 | 32735 | VALVE,PRI. FLOW REG 4.3.....1 | 1 |
| 2 | 133518 | DECAL,PATCH,GEN,ALC500.....1 | 1 | 14 | 4266 | SCREW,HHC,1/4-20 X 2.....2 | 2 |
| 3 | 128205 | SWITCH TOGGLE ASSY DPDT 2P MNT.....1 <i>includes mounting fasteners</i> | 1 | 15 | 6638 | WASHER,FLAT,USS,1/4"Y.....4 | 4 |
| -- | 54692 | SPACER,NYLON,.718 X .526 X.219.....1 | 1 | 16 | 53976 | MANIFOLD,GENERATOR.....1 <i>includes index numbers 17 through 21</i> | 1 |
| 4 | 25967 | HOSE ASSEMBLY,LP GAS-86" LNG**.....1 | 1 | 17 | 44950 | VALVE,RELIEF,1500 PSI***.....1 | 1 |
| 5 | 53605 | TANK, LP, 7 GAL.....1 | 1 | 18 | 19969 | VALVE,SOLENOID (18660).....1 <i>includes index numbers 19 through 21</i> | 1 |
| 6 | 53120-S | LP.TANK BRACKET TALL WLDMNT.....1 <i>from SN 2022</i> | 1 | 19 | 27535 | COIL,12V.DO1 VALVE.....1 | 1 |
| -- | 30712 | LP.TANK BRKT WLDMT.,SHORT.....1 <i>to SN 2021</i> | 1 | -- | 45782 | DIODE,6 AMP,200 PIV,BULK.....1 | 1 |
| 7 | 6175 | SCREW,HHC,3/8-16 X 1.....4 | 4 | 20 | 45914 | O-RING, DO1 VALVE.....1 | 1 |
| 8 | 5397 | WASHER,FLAT,USS,5/16",Y.....15 | 15 | 21 | 33568 | NUT, CP521-1 VALVE.....1 | 1 |
| 9 | 7713 | NUT,LP NYLOCK,3/8-16.....6 | 6 | | | | |
| 10 | 6019 | SCREW,HHC,3/8-16 X 1.25 GRD 5.....6 | 6 | | | | |
| 11 | 34876P-S | PLATE,GENERATOR MOUNTING.....1 | 1 | | | | |
| 12 | 58301 | GENERATOR,2000W,HYDRAULIC***.1 <i>includes index number 13</i> | 1 | | | | |
| -- | 111381 | GENERATOR,3000W,HYDRAULIC***.1 <i>includes index number 13</i> | 1 | | | | |
| -- | 32732 | RECTIFIER ASSEMBLY.....1 | 1 | | | | |
| -- | 32734 | BRUSH ASSEMBLY.....1 | 1 | | | | |
| -- | 32736 | MOTOR,HYDRAULIC GENERATOR.....1 | 1 | | | | |

805.1 Hydraulic Hoses and Fittings - Generator Option

| LEGEND | |
|---|---------------|
|  | FITTING |
|  | HOSE ASSEMBLY |
|  | UNION |



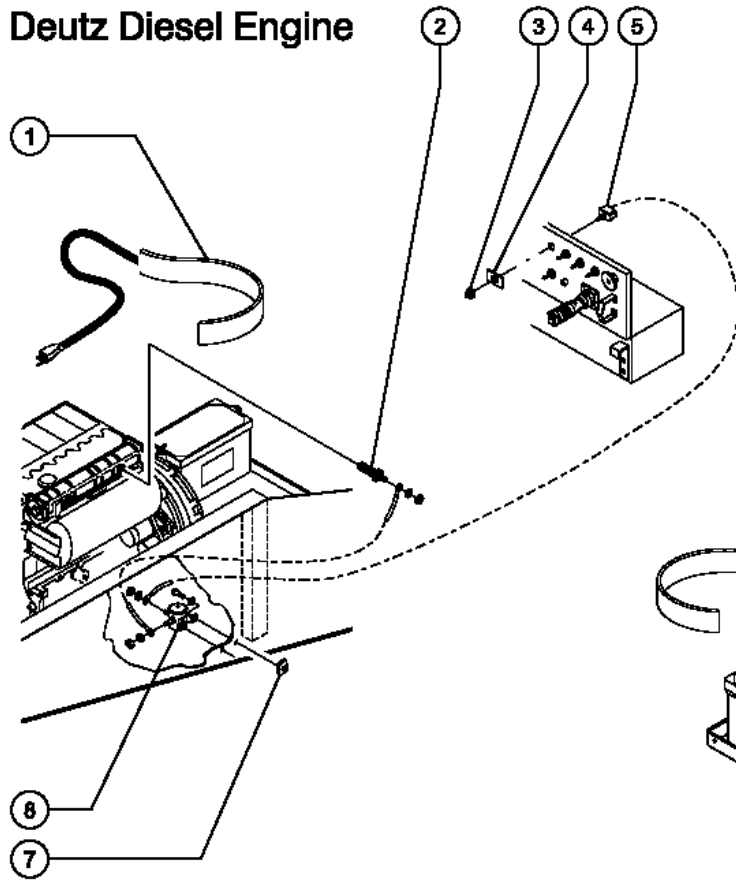
805.1 Hydraulic Hoses and Fittings - Generator Option

| Item | Part No. | Description | Qty. |
|------|------------|--------------------------------------|------|
| -- | 49612 | O-RING KIT (ORFS FITTINGS) | |
| -- | 49613 | PLUG AND CAP KIT-SERVICE,ORFS* | |
| 1 | 48986 | CONN,520102-16..... | 1 |
| 2 | 49512 | ELBOW,90DEG,FEM,1"NPT..... | 1 |
| 3 | 49515 | ELBOW,90D,520202-12-16..... | 2 |
| 4 | 48964 | FITTING,TEE,RUN,SWIVEL52043212.2 | |
| 5 | 49142-7062 | HOSE ASSEMBLY,1/2"..... | 1 |
| | | 1 | |
| 6 | 49203 | ELBOW,45D,520320-10-8..... | 1 |
| 7 | 48933 | CONN,520120-8*** | 3 |
| 8 | 49143-2979 | HOSE ASSY,1/2,90 FEM,STR FEM..... | 2 |
| | | 2 | |
| 9 | 48937 | ELBOW,45D,520320-8..... | 3 |
| 10 | 48905 | CONN,520120-4*** | 1 |
| 11 | 48960 | FITTING,CONN,520120-12*** | 1 |
| 12 | 65513 | HOSE ASSEMBLY, 1/2"..... | 1 |
| | | 3 | |
| 13 | 48935 | TEE,RUN,520428-8..... | 1 |
| 14 | 48958 | CONN,520120-10-12..... | 1 |
| 15 | 49101-7835 | HOSE ASSEMBLY,5/8"..... | 1 |
| | | 4 | |
| 16 | 49101-5910 | HOSE ASSEMBLY, 5/8"..... | 1 |
| | | 4 | |
| 17 | 48954 | TEE,BRANCH,520429-10..... | 1 |
| 18 | 48934 | CONN,LONG,520122-8..... | 2 |
| 19 | 48916 | FITTING,CONN,520120-6..... | 4 |
| 20 | 48917 | CONN,LONG,520122-6..... | 2 |
| 21 | 48912 | CONN,520120-4-6*** | 1 |
| 22 | 48930 | FITTING,CONN,520120-6-8*** | 1 |
| 23 | 49117-3391 | HOSE ASSY,1/4,90 FEM,STR FEM..... | 1 |
| | | 5 | |

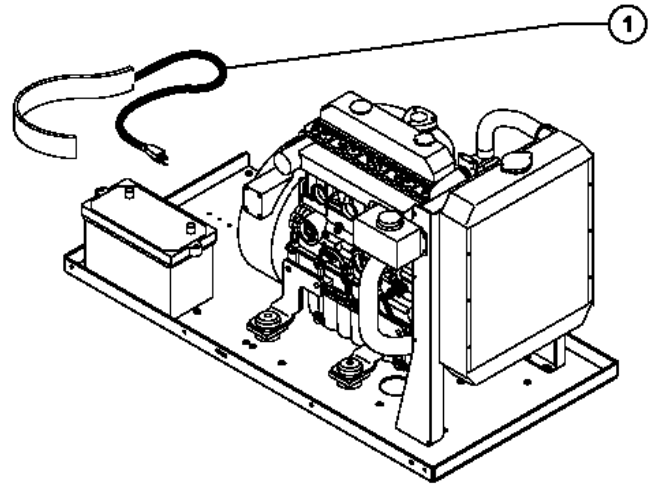
| Item | Part No. | Description | Qty. |
|------------------|----------|---|------|
| Footnotes | | | |
| | | 1: Hose End - Female, Swivel, Short, ORFS (Parker No. 1J943-12-8), Hose End - Female, Swivel, 90°, ORFS (Parker No. 1J943-8) and Hose, 1/2 inch (Parker No. 451TC-8) | |
| | | 2: Hose End - Female, Swivel, 90°, ORFS (Parker No. 1J943-8), Hose End - Female, Swivel, ORFS (Parker No. 1JC43-8) and Hose, 1/2 inch (Parker No. 451TC-8) | |
| | | 3: Hose End -Female, Swivel, ORFS (Parker No. 1J943-10-8), Hose End - Female, Swivel, 90°, ORFS (Parker No. 1J943-8) and Hose, 1/2 inch (Parker No. 451TC-8) | |
| | | 4: Hose End - Female, Swivel, 90°, ORFS (Parker No. 1J943-12-10), Hose End - Female, Swivel, Straight, ORFS (Parker No. 1JC43-10) and Hose, 5/8 inch (Parker No. 381-10) | |
| | | 5: Hose End - Female, Swivel, 90°, ORFS (Parker No. 1J943-4), Hose End - Female, Swivel, ORFS (Parker No. 1JC43-4) and Hose, 1/4 inch (Parker No. 451 TC-4) | |

806.1 Cold Start Package - Ford, Perkins & Deutz Engines

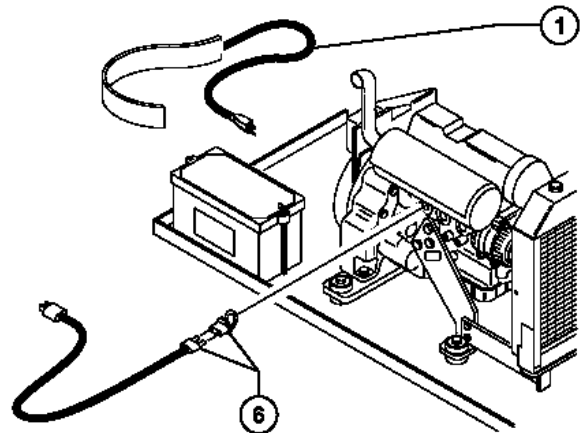
Deutz Diesel Engine



Perkins Diesel Engine



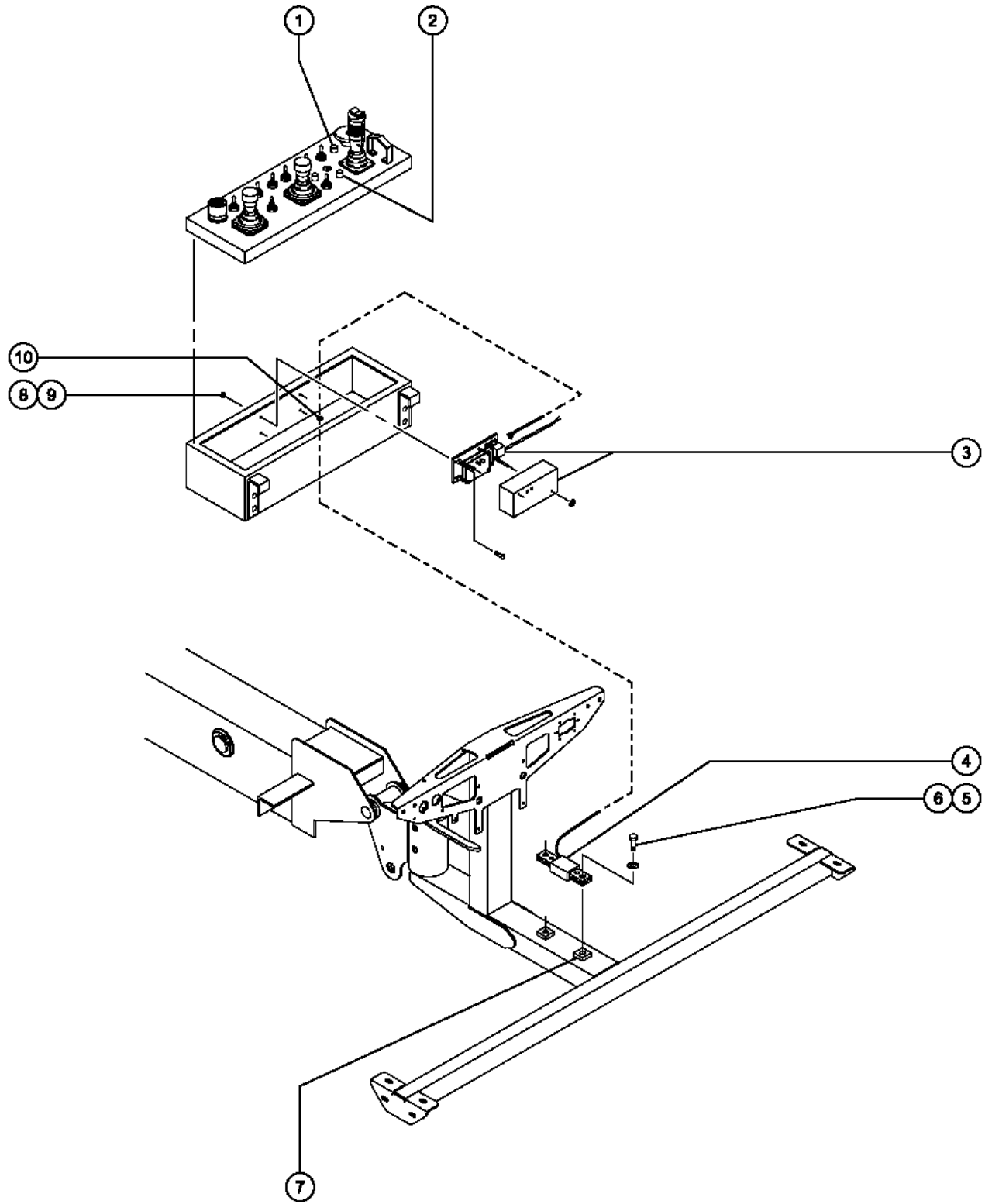
Ford Gasoline/LPG Engine



806.1 Cold Start Package - Ford, Perkins & Deutz Engines

| Item | Part No. | Description | Qty. |
|------|----------|--|------|
| -- | 53156 | COLD START,FORD, BIG BOOM | |
| -- | 53159-S | COLD START PKG,DEUTZ,BIG BOOM | |
| -- | 53982 | COLD START PKG,PERKINS,BB | |
| 1 | 28853 | BLANKET,BATTERY..... | 2 |
| 2 | 31408 | GLOW PLUG,L1011..... <i>Deutz Diesel models</i> | 1 |
| 3 | 27246 | BOOT,TOGGLE SWITCH,SHORT*..... <i>Deutz Diesel models</i> | 1 |
| 4 | 32726 | DECAL,OPTION GLOW PLUGS***..... <i>Deutz Diesel models</i> | 1 |
| 5 | 128200 | SWITCH TOGGLE ASSY SPDT 3P MOM..... <i>includes mounting fasteners; Deutz Diesel models</i> | 1 |
| 6 | 35610 | HEATER,FREEZE PLUG,FORD LRG423..... <i>Gasoline/LPG models</i> | 1 |
| 7 | 56912 | SPRING CLIP,1/4-20,MAGNI 565..... | 2 |
| 8 | 27155 | SOLENOID,12V CONTINUOUS***..... <i>Deutz Diesel models</i> | 1 |

807.1 Load Sensor Option



807.1 Load Sensor Option

| Item | Part No. | Description | Qty. |
|------|----------|---|------|
| 1 | 56298 | LIGHT,INDICATOR,RED,14V***.....1 <i>Diesel models</i> | 1 |
| -- | 45384 | PLUG,NYLON .50 BLACK DOMED.....1 <i>Gasoline/LPG models</i> | 1 |
| 2 | 56298 | LIGHT,INDICATOR,RED,14V***.....1 <i>Gasoline/LPG models</i> | 1 |
| -- | 45384 | PLUG,NYLON .50 BLACK DOMED.....1 <i>Diesel models</i> | 1 |
| 3 | 56766 | MODULE,LOAD SENSE,W/12V RELAY.....1 | 1 |
| 4 | 56765 | LOAD CELL BENDING TYPE.....1 | 1 |
| 5 | 8255 | SCREW,HHC,3/8-16 X .75.....2 | 2 |
| 6 | 57201 | WASHER,FLAT, 313, HARDENED.....2 | 2 |
| 7 | 63397 | BLOCK,LOAD SENSOR.....2 | 2 |
| 8 | 12344 | NUT,NYLOCK,6-32.....4 | 4 |
| 9 | 49820 | SCREW,PHILLIPS,PHM,6-32 X .5...4 | 4 |
| 10 | 42646 | GROMMET,RUBBER .25 X .50"OD.....1 | 1 |
| -- | 102093 | KIT,LOADSENSE,UPGRD,S40/45 OEM <i>from SN 6345 to 7000</i> | |

Part Number Index

The Part Number Index is a numeric index of all part numbers included in this manual. The index shows what page(s) the part is used on.

| Part Number | Page | Part Number | Page | Part Number | Page | Part Number | Page |
|-------------|-------------------|-------------|--------------------|-------------|-------------------|-------------|-------------------|
| 101587 | 40 | 13268 | 143 | 22433 | 137 | 28076 | 59, 61, 75 |
| 101726 | 85 | 133518 | 13, 159 | 22434 | 137 | 28125 | 103, 105 |
| 101727 | 81 | 13482 | 137, 139 | 22541 | 95-96, 115 | 28131 | 137, 139 |
| 102093 | 165 | 13585 | 141, 143 | 22578 | 65-66 | 28157 | 11 |
| 102143 | 117 | 13775 | 123-124 | 22672 | 52 | 28158 | 11 |
| 102144 | 119 | 13852 | 123-124, 127- | 22700 | 59, 63, 65-66, 69 | 28159 | 11 |
| 102192-S | 15 | | 128 | 22811 | 23-24, 40, 96 | 28160 | 11 |
| 102278 | 19, 35 | 139451 | 137, 139 | 22813 | 88 | 28161 | 11, 13 |
| 102680 | 95-96 | 1399583 | 155 | 22832 | 121 | 28164 | 11 |
| 102802 | 39-40 | 14041 | 101, 141, 143 | 22942 | 71 | 28165 | 13 |
| 102803 | 39-40 | 146160 | 91-92 | 22965 | 55-56, 63, 69 | 28171 | 11 |
| 102992 | 137, 139 | 146165 | 87-88 | 23057 | 51-52, 65-66, 69 | 28174 | 11, 13 |
| 10597 | 117, 119, 123- | 146176 | 88, 91-92 | 23154-S | 15, 17, 33 | 28175 | 11 |
| | 124 | 146177 | 88, 91-92 | 23404 | 101, 141, 143 | 28176 | 13 |
| 10598 | 59 | 146478 | 99, 145-146 | 23680 | 149 | 28177 | 11 |
| 106421 | 123-124 | 147094 | 99 | 23688 | 149 | 28181 | 11 |
| 106422 | 127-128 | 147289 | 91-92 | 24038 | 59 | 28234P-S | 59 |
| 10775 | 141, 143 | 147290 | 91-92 | 24039 | 95-96 | 28235 | 11, 13 |
| 109802 | 63, 71 | 14815 | 15, 17, 33 | 24470 | 56 | 28236 | 13 |
| 111172 | 123-124 | 1487 | 155 | 24552 | 51-52 | 28298 | 101 |
| 111381 | 159 | 1488 | 155 | 24675 | 91-92 | 28299 | 101 |
| 111453 | 39-40 | 1505 | 101 | 25072P-S | 121 | 28310 | 101 |
| 111454 | 39-40 | 15243 | 101 | 25284 | 15, 17, 33 | 28352 | 15, 17, 33 |
| 111526 | 155 | 16584 | 63, 69 | 25375 | 27, 43 | 28443 | 137, 139 |
| 111648 | 95-96 | 17626 | 137, 139 | 25388 | 103 | 28646 | 95-96, 103 |
| 111705 | 88 | 17712 | 107 | 25567 | 83 | 28647 | 51-52 |
| 11413 | 27, 43 | 18189 | 59, 65-66, 77 | 25571P-S | 55-56 | 28656 | 51-52 |
| 11637 | 95-96 | 18396 | 23-24, 39-40 | 25683 | 33, 124, 127-128 | 28678 | 137, 139 |
| 119404 | 103 | 18503 | 56 | 25807 | 101 | 28717 | 55-56, 59 |
| 119536 | 135 | 18505 | 35 | 25808 | 101 | 28750 | 21, 27, 29, 31, |
| 119542 | 135 | 18665 | 101 | 25817 | 15, 17, 33, 115 | | 37, 43, 45, 49, |
| 119562P | 155 | 18963 | 153 | 25837 | 101 | | 87-88, 110, 131, |
| 119619 | 15, 17, 33 | 19274 | 143, 145-146 | 25881 | 149 | | 133 |
| 119642 | 155 | 19418 | 96 | 25882 | 149 | 28829 | 79 |
| 119795 | 155 | 19440 | 15, 17, 33 | 25883 | 149 | 28853 | 163 |
| 119796 | 155 | 19487 | 79, 81, 83, 85 | 25884 | 149 | 28856-S | 155 |
| 119797 | 155 | 19491 | 95-96, 115, 121 | 25929 | 51-52 | 29066 | 55-56, 77 |
| 119950 | 155 | 19506 | 99 | 25967 | 79, 81, 159 | 29073 | 65-66, 71 |
| 12153 | 103 | 19712 | 151 | 25974 | 101 | 29080 | 117, 119 |
| 122058 | 59, 65-66, 77 | 19969 | 159 | 25994 | 11 | 29137 | 83, 85 |
| 122366 | 99 | 20189 | 153 | 27010 | 51-52, 56 | 29291 | 96 |
| 122512 | 99 | 20193 | 23-24, 39-40 | 27033P | 145-146 | 29314 | 103, 105 |
| 122513 | 145-146 | 20224 | 21, 27, 37, 43, 88 | 27034 | 59 | 29350 | 137 |
| 122514 | 99, 145-146 | 20262 | 137, 139 | 27035 | 123-124 | 29382 | 95-96 |
| 122944 | 123-124, 127- | 20424 | 149 | 27067 | 55-56, 63, 69 | 29436 | 55-56, 63, 69 |
| | 128 | 20776 | 101 | 27089 | 79, 81, 83, 85 | 29550 | 61 |
| 12344 | 141, 143, 165 | 20880 | 55-56, 65-66, 71 | 27115 | 141, 143 | 29555 | 61 |
| 12443 | 137, 139 | 20973 | 137, 139 | 27133 | 151 | 29557 | 65-66 |
| 128200 | 99, 145-146, 163 | 20980 | 27, 43 | 27134 | 151 | 29559 | 63 |
| 128201 | 99, 101, 145-146 | 21121 | 99, 137, 139 | 27142 | 55-56 | 29560 | 65-66 |
| 128202 | 99, 145-146 | 21130 | 27, 43, 65-66, 71 | 27155 | 101, 163 | 29565 | 65-66 |
| 128204-S | 99, 145-146 | 21141 | 79, 81, 83, 85 | 27204 | 13 | 29616 | 55-56 |
| 128205 | 145-146, 159 | 21142 | 23-24, 35, 39-40 | 27205 | 13 | 29737 | 27, 37, 43 |
| 128206 | 145-146 | 21143 | 23-24, 35, 39-40 | 27206 | 13 | 29739 | 55-56, 63, 69 |
| 128368 | 155 | 21144 | 23-24, 35, 39-40 | 27207 | 13 | 29744 | 92 |
| 128454 | 127-128, 135 | 21145 | 23-24, 35, 39-40 | 27246 | 99, 145-146, | 29764 | 123-124 |
| 128482 | 135 | 21146 | 23-24, 35, 39-40 | | 159, 163 | 29868 | 91-92, 103, 105 |
| 128483 | 135 | 21148 | 23-24, 35, 39-40 | 27287 | 99 | 29883 | 59, 63, 77, 91-92 |
| 128501 | 135 | 21149 | 23-24, 35, 39-40 | 27377 | 103, 105 | 30080 | 13 |
| 128513 | 127-128, 135 | 21166 | 19 | 27507 | 51-52 | 30138 | 117, 119 |
| 128515 | 127-128, 135 | 21175 | 77, 95-96 | 27511 | 151 | 30143 | 59, 65-66, 77 |
| 128519 | 135 | 21465 | 75, 79, 81, 83, 85 | 27532 | 27, 43 | 30144 | 59, 65-66, 77 |
| 128534 | 127-128, 135 | 21496 | 27, 43, 65-66, 71 | 27535 | 159 | 30179 | 79, 83 |
| 128724 | 135 | 21604 | 128 | 27564 | 11, 13 | 30190 | 15, 33 |
| 12906 | 103, 105, 119 | 21618 | 55-56 | 27643 | 95-96 | 30217 | 123-124, 127- |
| 12960 | 101, 141, 143 | 21935 | 88 | 27761 | 21, 37 | | 128 |
| 13002 | 65-66, 75, 79, | 22052 | 141, 143 | 27801 | 88 | 30219 | 123-124, 127- |
| | 81, 103, 105, 115 | 22279 | 56 | 27802 | 88 | | 128 |
| 13004 | 23-24, 39-40, | 22349 | 107 | 27804 | 88 | 30220 | 117, 119 |
| | 115 | 22364 | 149 | 27807 | 88 | 30230P-S | 55-56, 65-66 |
| 13014 | 59 | 22365 | 149 | 27814 | 55-56, 61, 77, 88 | 30255 | 123-124, 127- |
| 13064 | 59, 63, 77, 91- | 22366 | 149 | 27832 | 88 | | 128 |
| | 92, 95-96, 115 | 22367 | 149 | 27915 | 65-66 | 30286 | 123-124 |
| 13066 | 23-24, 35, 40, | 22368 | 149 | 27916 | 56, 65-66 | 30369 | 55-56, 61, 77 |
| | 95-96 | 22432 | 137 | 27943 | 59 | | |

Part Number Index (continued)

| Part Number | Page | Part Number | Page | Part Number | Page | Part Number | Page |
|-------------|----------------------|-------------|-------------------|-------------|--|-------------|---|
| 30370 | 15, 33, 115, 123-124 | 31106 | 15, 33 | 33555 | 103, 105 | 37050 | 27, 43 |
| 30418 | 117, 119, 123-124 | 31120 | 155 | 33556 | 103, 105 | 37097 | 23-24, 35, 39-40 |
| 30430 | 103 | 31283 | 151 | 33568 | 159 | 37187 | 91-92 |
| 30438 | 63 | 31406 | 37 | 33629 | 141, 143 | 37192 | 91-92 |
| 30444 | 91-92 | 31408 | 163 | 33674 | 155 | 37505 | 61, 75 |
| 30468 | 103 | 31411 | 121 | 33724 | 141, 143 | 37929 | 96 |
| 30469 | 52 | 31493 | 95-96 | 33946 | 92 | 37948 | 151 |
| 30472 | 117 | 31498 | 123-124, 127-128 | 33952 | 13 | 37950 | 61 |
| 30490 | 83, 85 | 31500 | 96 | 33957 | 51-52 | 38620 | 117, 119 |
| 30546P-S | 79, 83 | 31502 | 96 | 33960 | 51-52 | 38621 | 119 |
| 30558 | 43 | 31506 | 79, 81, 83, 85 | 33963 | 51-52 | 38859 | 123-124 |
| 30558 32681 | 27 | 31507 | 79, 81, 83, 85 | 33964 | 51-52 | 40145 | 19 |
| 30581 | 117 | 31524 | 79, 81, 83, 85 | 33965 | 52, 59 | 40146 | 19 |
| 30582 | 117 | 31658 | 79, 81, 83 | 33966 | 52 | 40434 | 13 |
| 30584 | 79, 83 | 32284-S | 33 | 33968 | 51-52 | 40610 | 137 |
| 30620 | 157 | 32285-S | 33 | 33969 | 59 | 40653 | 121 |
| 30630 | 159 | 32309 | 51-52 | 33970 | 52 | 40983 | 95-96 |
| 30660 | 63 | 32339 | 59, 127-128 | 33972 | 52 | 41029 | 121 |
| 30662-S | 115 | 32399 | 15, 17, 33 | 33988 | 55-56 | 41030 | 121 |
| 30671-S | 121 | 32611 | 55-56, 63, 69 | 33994 | 21, 27, 29, 31, 37, 43, 45, 49, 87-88, 110, 131, 133 | 41031P-S | 121 |
| 30674-S | 63 | 32637 | 101, 141, 143 | 33996 | 101 | 41398 | 23-24 |
| 30677 | 91-92 | 32638 | 101, 141, 143 | 34052 | 101 | 41489 | 96 |
| 30679-S | 59, 61, 75, 77 | 32639 | 141, 143 | 34053 | 101 | 41750 | 121 |
| 30690 | 24, 40 | 32651-S | 33 | 34055 | 101 | 41771 | 87-88, 91-92 |
| 30691 | 24, 40 | 32652-S | 17 | 34056 | 101 | 41912 | 23-24, 39-40 |
| 30711 | 79, 81 | 32653 | 23-24, 39-40 | 34057P-S | 101 | 41918 | 23-24, 39-40 |
| 30712 | 159 | 32669 | 92 | 34058 | 51-52, 73 | 41921 | 23-24 |
| 30718P-S | 91-92 | 32673 | 15, 17, 33 | 34059 | 65-66 | 41922 | 23-24, 39-40 |
| 30727 | 123-124 | 32675 | 35 | 34124 | 119 | 42191 | 35 |
| 30728 | 123-124 | 32676 | 19, 35 | 34162-3150 | 65-66, 71 | 42646 | 165 |
| 30729 | 117 | 32680 | 23-24, 40 | 34164 | 65-66, 71 | 4266 | 27, 43, 55-56, 61, 91-92, 121, 155, 159 |
| 30730 | 117 | 32681 | 27, 43 | 34265 | 61 | 42766 | 71 |
| 30731 | 117, 119 | 32682 | 24, 40 | 34276 | 115 | 43128 | 121 |
| 30732 | 115 | 32695 | 63 | 34321-S | 155 | 43169 | 124, 127-128 |
| 30733 | 115 | 32698 | 61 | 34344 | 119 | 43181 | 143 |
| 30734 | 15, 17, 33, 115 | 32708 | 137 | 34358P-S | 107 | 43191P-S | 121 |
| 30735 | 15, 17, 24, 33, 40 | 32709 | 137 | 34370 | 107 | 43255 | 87-88 |
| 30737 | 15, 33 | 32710 | 137, 139 | 34447 | 37, 39-40 | 43392 | 155 |
| 30738 | 117, 119 | 32719 | 11 | 34448 | 21, 23-24 | 43595 | 11, 13 |
| 30741 | 117 | 32722 | 124, 127-128 | 34619 | 55-56 | 43597 | 21 |
| 30743-S | 103 | 32723 | 27, 43 | 34769 | 143 | 43609 | 92 |
| 30744-S | 105 | 32724 | 27, 43 | 34876P-S | 159 | 43647 | 11, 13 |
| 30747 | 15, 17 | 32725 | 27, 43, 88 | 34927P-S | 59 | 43663 | 11 |
| 30747-S | 33 | 32726 | 13, 163 | 34929-S | 59 | 43683 | 96 |
| 30748 | 117, 119 | 32731 | 95-96 | 34942P-S | 59 | 43852-S | 121 |
| 30769P-S | 65-66 | 32732 | 159 | 34943P-S | 59 | 43955 | 101, 141, 143 |
| 30782 | 101 | 32734 | 159 | 34954 | 121 | 43956 | 103 |
| 30783P-S | 95-96 | 32735 | 159 | 34961 | 95-96 | 43960 | 101, 115, 121, 137, 139, 141, 143 |
| 30784-975 | 59, 66, 77 | 32736 | 159 | 35000 | 88 | 44064 | 63, 65-66, 69 |
| 30785-1000 | 65-66, 71 | 32748 | 61 | 35003 | 141, 143 | 44081-S | 121 |
| 30794 | 141, 143 | 32749 | 61 | 35586 | 61 | 44211 | 149 |
| 30797 | 27, 43 | 32752 | 65-66 | 35599 | 11 | 44212 | 149 |
| 30802P-S | 23-24, 40 | 32948 | 91-92 | 35610 | 163 | 44221 | 149 |
| 30805 | 65-66 | 32949 | 91-92 | 35675 | 127-128 | 44341P | 95-96 |
| 30806 | 63 | 32955 | 91-92 | 35818 | 55-56 | 44367 | 95-96 |
| 30808 | 24, 40 | 32959 | 91-92 | 35934 | 101 | 44611 | 95-96 |
| 30809 | 24, 40 | 32962 | 91-92 | 35949P-S | 103, 105 | 44662 | 117, 119 |
| 30810 | 51-52, 71 | 32963 | 91-92 | 35956 | 155 | 44743 | 137, 139 |
| 30823 | 124, 127-128 | 32964 | 91-92 | 35960 | 155 | 44769 | 13 |
| 30884 | 27, 43 | 32967 | 91-92 | 36203 | 55-56 | 44950 | 159 |
| 30885 | 27, 43 | 32975 | 88 | 36204P-S | 121 | 44981 | 13 |
| 30889P-S | 35 | 33024 | 55-56, 63, 69 | 36208 | 51-52 | 44986 | 13 |
| 30891 | 59, 65-66, 77 | 33240P-S | 65-66 | 36388 | 103, 105 | 45043 | 19 |
| 30894P-S | 105 | 33241P-S | 65-66 | 36593 | 121 | 45072 | 115 |
| 30960P-S | 107 | 33412 | 23-24, 35 | 36603 | 15, 17, 23-24, 33, 39-40 | 45074 | 15, 17, 33 |
| 30966 | 65-66 | 33413 | 19 | 36858 | 35 | 45107 | 19 |
| 30967 | 65-66 | 33418 | 61, 75, 77 | 36859 | 35 | 45108 | 19 |
| 30968 | 88 | 33428 | 117, 119, 127-128 | 36928 | 159 | 45110 | 19 |
| 30971 | 56 | 33432 | 128 | 37002 | 55-56, 69 | 45111 | 19 |
| 30973 | 103, 105 | 33455 | 92 | 37003 | 63 | 45112 | 19 |
| 30977 | 101, 141, 143 | 33503 | 11 | 37017 | 55-56 | 45113 | 19 |
| 31060 | 13 | 33511 | 87-88 | | | 45114 | 19 |
| 31078 | 124 | 33520 | 21, 37 | | | | |
| 31100 | 88 | 33521 | 37 | | | | |

Part Number Index (continued)

| Part Number | Page | Part Number | Page | Part Number | Page | Part Number | Page |
|-------------|--------------------|---------------|--------------------|--------------|------------------|-------------|----------------|
| 45139 | 137 | 48912 | 131, 133, 161 | 49128-2859 | 110 | 49915 | 61 |
| 45161 | 79, 81, 83, 85 | 48913 | 133 | 49128-4784 | 109-110 | 49917 | 63 |
| 45171 | 59 | 48915 | 29, 31, 45, 49 | 49128-5909 | 29, 45 | 49919 | 63 |
| 45200 | 137 | 48916 | 31, 49, 109-110, | 49129-10275 | 131, 133 | 49921 | 63 |
| 45201 | 137 | | 131, 133, 161 | 49130-2332 | 29, 45 | 49923 | 65-66 |
| 45209 | 59, 63, 77 | 48917 | 110, 131, 133, | 49130-2357 | 31, 49 | 49924 | 65-66 |
| 45226 | 15, 17, 24, 33, | | 161 | 49130-3832 | 109-110 | 49929 | 63 |
| | 40, 115, 127-128 | 48919 | 29, 45, 131, 133 | 49133-13640 | 131, 133 | 50144-S | 123-124, 137, |
| 45313 | 137 | 48920 | 29 | 49135-2089 | 109-110 | | 139 |
| 45383 | 141, 143 | 48922 | 79, 81, 83, 85, | 49135-3389-S | 63 | 5094 | 143 |
| 45384 | 99, 145-146, 165 | | 109-110 | 49138-3266 | 109-110 | 52000 | 159 |
| 45385 | 101, 141 | 48930 | 31, 49, 110, 161 | 49139-2968 | 109-110 | 52001 | 159 |
| 45435 | 51-52 | 48933 | 110, 131, 133, | 49139-4518 | 29, 45 | 52055 | 11, 13 |
| 45437 | 141, 143 | | 161 | 49141-6063 | 31 | 52076 | 51-52 |
| 45454 | 35, 69 | 48934 | 110, 131, 133, | 49141-6063-S | 49 | 52077 | 51-52 |
| 45455 | 77, 79, 81 | | 161 | 49141-7813-S | 45 | 52078 | 51-52 |
| 45462 | 153 | 48935 | 31, 45, 49, 109- | 49142-7062 | 161 | 52081 | 137, 139 |
| 45483 | 27, 43, 95-96 | | 110, 161 | 49143-1204 | 31 | 52082 | 137, 139 |
| 45495 | 23-24, 35, 39- | 48936 | 31, 49 | 49143-1204-S | 49 | 52083 | 137, 139 |
| | 40, 95-96 | 48937 | 45, 161 | 49143-2979 | 161 | 52085 | 159 |
| 45543 | 92 | 48942 | 109-110 | 49149-1826 | 29, 45 | 52086-R | 159 |
| 45546 | 141, 143 | 48943 | 31, 49 | 49149-3401 | 109-110 | 52087 | 23-24, 35, 39- |
| 45553 | 35 | 48946 | 29, 45, 109-110 | 49150-3730 | 109-110 | | 40, 96 |
| 45782 | 159 | 48947 | 109-110 | 49151-4648 | 109-110 | 52093 | 137, 139 |
| 45873 | 19 | 48948 | 45 | 49156-2606 | 29, 45 | 52155 | 13 |
| 45912 | 55-56, 61, 77, | 48950 | 110 | 49157-4335 | 29, 45 | 52179 | 79, 81 |
| | 88, 128 | 48953 | 29, 45, 109-110 | 49158-6433 | 110 | 5224 | 135 |
| 45914 | 88, 159 | 48954 | 110, 161 | 49159-3518 | 109-110 | 52250 | 13 |
| 45916 | 91-92 | 48957 | 109-110 | 49159-3818 | 109-110 | 52352 | 65-66 |
| 45921 | 88 | 48958 | 161 | 49159-3868 | 109-110 | 52353 | 63 |
| 46014 | 79, 81, 83, 85 | 48960 | 29, 45, 109-110, | 49159-4268 | 109-110 | 52365 | 141, 143 |
| 46131 | 51-52, 55-56 | | 161 | 49163-57894 | 131 | 52402 | 137, 139, 141, |
| 46198 | 11, 13 | 48963 | 29, 45 | 49171-2499 | 109-110 | | 145-146 |
| 46272 | 151 | 48964 | 109-110, 161 | 49172-7388 | 29, 45 | 52415 | 88 |
| 46674 | 55-56, 63, 69 | 48969 | 109-110 | 49176-2779 | 95-96, 103 | 52416 | 88 |
| 46677 | 121 | 48977 | 109-110 | 49177-71294 | 157 | 52417 | 88 |
| 46751P-S | 121 | 48984 | 109-110 | 49203 | 161 | 52440 | 103 |
| 46765 | 121 | 48986 | 109-110, 161 | 49212 | 157 | 52441 | 105 |
| 46936P | 121 | 48988 | 109-110 | 49214 | 157 | 52443 | 105 |
| 46979 | 159 | 48994 | 110 | 49215 | 157 | 52537 | 65-66, 71 |
| 46981 | 159 | 48997 | 21, 27, 37, 43, 88 | 49381 | 73 | 52564 | 55-56 |
| 46985 | 153 | 48998 | 109-110 | 49384 | 75 | 52566 | 51-52 |
| 46990 | 107 | 49036 | 92 | 49386 | 51-52 | 52570 | 51-52 |
| 4828 | 15, 33, 59, 79, | 49101-3285 | 109-110 | 49407 | 65-66 | 52573 | 51-52 |
| | 81, 83, 85, 107, | 49101-5910 | 161 | 49408 | 51-52, 65-66, 73 | 52575 | 52 |
| | 123-124, 127- | 49101-7835 | 161 | 49457-S | 95-96 | 52577 | 51-52 |
| | 128, 135, 137, | 49104-10809 | 31, 49 | 49468 | 92 | 52579 | 51-52 |
| | 139 | 49107-10213-S | 45 | 49512 | 109-110, 161 | 52580 | 51-52 |
| 48425 | 59 | 49115-4014 | 109-110 | 49513 | 109-110 | 52583 | 159 |
| 48470 | 79, 81, 83, 85 | 49116-8662 | 133 | 49515 | 109-110, 161 | 52585 | 151 |
| 48471 | 51-52 | 49117-1691 | 110 | 49529 | 95-96 | 52586 | 151 |
| 48473P-S | 56 | 49117-3391 | 161 | 49532-S | 103 | 52587 | 151 |
| 48477 | 51-52 | 49117-7641 | 29, 31, 45, 49 | 49534 | 103 | 52588 | 151 |
| 48498 | 56, 59, 71 | 49117-8616 | 133 | 49535P-S | 103, 105 | 52589 | 151 |
| 48516 | 121 | 49119-1778 | 133 | 49536 | 103, 105 | 52591 | 151 |
| 48533 | 101, 141, 143 | 49119-2678 | 131 | 49537P-S | 105 | 52592 | 55-56 |
| 48542 | 95-96 | 49119-3228 | 131 | 49612 | 21, 27, 29, 31, | 52639 | 11 |
| 48642 | 88 | 49119-6078 | 45 | | 37, 43, 45, 49, | 52645 | 101 |
| 48647 | 88 | 49119-68278 | 133 | | 87-88, 109-110, | 52647 | 159 |
| 48648 | 87-88, 91-92 | 49120-49381 | 131, 133 | | 131, 133, 161 | 52648 | 159 |
| 48649 | 87-88, 91-92 | 49120-50181 | 131 | 49613 | 21, 27, 29, 31, | 52649 | 159 |
| 48684 | 92 | 49120-50185 | 133 | | 37, 43, 45, 49, | 52650-S | 107 |
| 48879 | 131, 133 | 49121-4313 | 131, 133 | | 87-88, 109-110, | 52651 | 103 |
| 48880 | 21, 27, 37, 43, 88 | 49122-10211 | 131, 133 | | 131, 133, 161 | 52652 | 51-52 |
| 48884 | 63 | 49122-9111 | 131, 133 | 49693 | 137, 139 | 52653 | 121 |
| 48886 | 133 | 49124-1453 | 31 | 49740 | 56 | 52656 | 51-52 |
| 48887 | 95-96 | 49124-1453-S | 49 | 49741 | 11 | 52658 | 56, 65-66 |
| 48892 | 131, 133 | 49125-5970 | 31, 49 | 49743 | 101 | 52661 | 155 |
| 48896 | 31, 49 | 49126-3933 | 109-110 | 49816 | 103, 105 | 52726 | 21, 37 |
| 48899 | 109-110 | 49126-4133 | 109-110 | 49817 | 51-52 | 52762 | 52, 55-56 |
| 48900 | 133 | 49128-1109 | 31 | 49819 | 145-146 | 52775 | 149 |
| 48904 | 29, 45, 110 | 49128-1109-S | 49 | 49820 | 165 | 52776 | 149 |
| 48905 | 110, 161 | 49128-2309 | 110 | 49881 | 52 | 52777 | 149 |
| 48906 | 29, 45 | 49128-2359 | 109-110 | 49887 | 149 | 52778 | 149 |
| 48910 | 109-110 | 49128-2384 | 109-110 | 49898 | 51-52 | 52882 | 119 |
| 48911 | 29, 45, 131, 133 | 49128-2609 | 110 | 49914 | 61 | 52943 | 92 |

| Part Number | Page | Part Number | Page | Part Number | Page | Part Number | Page |
|-------------|-------------------|-------------|------------------|-------------|-----------------|-------------|-------------------|
| 52966 | 13 | 58210 | 79, 81, 83, 85 | | 117, 119, 121, | 63463 | 71 |
| 52967 | 13 | 58211 | 79, 81, 83, 85 | | 123-124 | 63464P | 69 |
| 53023 | 79, 81, 83, 85 | 58228 | 55-56, 63, 69 | 6115 | 77, 121 | 6356 | 19, 23-24, 35, |
| 53024 | 55-56 | 58301 | 159 | 61306-S | 127-128 | | 40, 55-56, 59, |
| 53037 | 11 | 58402 | 159 | 6145 | 121, 155 | | 63, 65-66, 77, |
| 53073 | 151 | 58438 | 23-24, 35, 39-40 | 6146 | 23-24, 39-40, | | 91-92, 95-96, |
| 53078P-S | 105 | 58448 | 23-24, 35, 39-40 | | 103, 105, 145- | | 99, 101, 103, |
| 53079P-S | 105 | 58459 | 23-24 | | 146, 153 | | 105, 115, 121, |
| 53081 | 15, 17, 33 | 58477 | 151 | 6147 | 153 | | 124, 127-128, |
| 53113P-S | 107 | 58489 | 91-92 | 6175 | 15, 17, 24, 33, | | 145-146, 155 |
| 53120-S | 79, 81, 159 | 58589 | 39-40 | | 40, 55-56, 63, | 65355 | 73 |
| 53122-S | 91-92 | 58900 | 51-52 | | 69, 75, 79, 81, | 65453 | 51-52 |
| 53124 | 56 | 58915 | 96 | | 91-92, 95-96, | 65454 | 51-52 |
| 53125 | 51-52 | 58916 | 95-96 | | 107, 117, 119, | 65455 | 51-52 |
| 53127-S | 107 | 58917 | 56, 65-66 | | 123-124, 159 | 65456 | 52 |
| 53156 | 163 | 58923 | 151 | 6178 | 51-52, 95-96, | 65473 | 75 |
| 53157-S | 155 | 58944 | 159 | | 101, 103, 105, | 65477 | 103 |
| 53159-S | 163 | 58958 | 95-96 | | 137, 139, 143, | 65478 | 105 |
| 53197 | 119 | 58967 | 51-52 | | 145-146, 153 | 65487 | 69 |
| 53200 | 119 | 59050 | 15, 33, 115, 124 | 6179 | 121 | 65488 | 73 |
| 53219 | 119 | 59076 | 15, 17, 33 | 6198 | 59, 95-96 | 65490 | 73 |
| 53290-S | 59 | 59169 | 15, 17, 33 | 62072 | 11 | 65491 | 73 |
| 53354 | 119 | 59263 | 115 | 62073 | 13 | 65492 | 73 |
| 53386 | 33, 35 | 59266 | 15, 124 | 62074 | 11 | 65493 | 73 |
| 53387 | 33, 35 | 59267 | 124, 127-128 | 62075 | 13 | 65494 | 73 |
| 53425-S | 59 | 59445 | 115 | 62080 | 91-92 | 65495 | 69 |
| 53517 | 139 | 6002 | 35, 65-66, 79, | 62081 | 95-96 | 65496 | 73 |
| 53527 | 79, 81, 83, 85 | | 81, 103, 105 | 62083 | 137, 139, 143, | 65497 | 71 |
| 53605 | 159 | 6019 | 55-56, 91-92, | | 145-146 | 65498 | 71 |
| 53613 | 15, 17, 33 | | 95-96, 103, 105, | 62249 | 61 | 65499 | 69 |
| 5365 | 27, 43, 65-66, 71 | | 115, 137, 139, | 62262 | 128 | 6550 | 137, 139 |
| 53758-S | 99 | | 159 | 62267 | 128 | 65500 | 71 |
| 53759-S | 99 | 6021 | 15, 17, 23-24, | 62268 | 91-92 | 65501 | 71 |
| 53760-S | 99 | | 33, 35, 39-40, | 62273 | 128 | 65502 | 77 |
| 53761-S | 99 | | 55-56, 63, 75, | 62414 | 91-92 | 65503 | 69 |
| 53808-S | 155 | | 79, 81, 91-92, | 62417 | 123-124, 127- | 65504 | 69 |
| 53820 | 99 | | 95-96, 103, 105, | | 128 | 65505 | 73 |
| 53821P | 51-52 | | 107, 115, 117, | 62420 | 71 | 65506 | 73 |
| 53832 | 51-52, 55-56 | | 119, 121, 127- | 62421 | 71 | 65507 | 73 |
| 53882 | 105 | | 128, 135 | 62422 | 71 | 65513 | 161 |
| 53903 | 103, 105 | 6024 | 59, 61, 75, 91- | 62423 | 73 | 65515 | 15, 17 |
| 53909 | 59, 61, 75 | | 92, 115 | 62466 | 96 | 65516 | 15, 17 |
| 53910 | 55-56 | 6033 | 23-24, 39-40, | 62506 | 127-128 | 65518 | 88 |
| 53945 | 65-66, 71 | | 55-56, 63, 69, | 62959 | 13 | 65535 | 149 |
| 53948 | 71 | | 95-96, 117, 119, | 62960 | 13 | 65536 | 149 |
| 53951 | 71 | | 123-124 | 63118 | 107 | 65608 | 23-24, 39-40, 96 |
| 53959 | 55-56, 63, 69 | 6035 | 59, 155 | 63155 | 15, 17, 33 | 65766 | 61 |
| 53964 | 55-56, 63, 69 | 6036 | 59, 63, 77, 91- | 63202 | 117, 119 | 65770 | 51-52 |
| 5397 | 63, 65-66, 69, | | 92, 155 | 63206 | 115 | 65827 | 151 |
| | 75, 79, 81, 83, | 6037 | 63, 69 | 63210 | 127-128 | 6584 | 27, 43, 65-66, 71 |
| | 85, 91-92, 103, | 60370-S | 123-124, 139 | 63213 | 127-128 | 65842 | 123-124, 127- |
| | 105, 107, 135, | 60521 | 65-66 | 63258 | 51-52 | | 128 |
| | 137, 139, 159 | 60790 | 59 | 63311 | 155 | 6595 | 103 |
| 53976 | 159 | 60857 | 55-56 | 63313 | 69 | 6606 | 101 |
| 53982 | 163 | 6086 | 15, 17, 33 | 63326P | 69 | 6607 | 87-88, 91-92, |
| 54071 | 55-56, 75 | 6090 | 19, 23-24, 35, | 63342 | 117, 119 | | 95-96, 115, 121 |
| 54486 | 155 | | 40, 59, 63, 65- | 63346 | 115 | 6637 | 105, 117, 119, |
| 54527-S | 127-128 | | 66, 71, 75, 77, | 63350 | 128 | | 124 |
| 54535 | 71 | | 95-96, 99, 101, | 63353 | 127-128 | 6638 | 19, 24, 35, 40, |
| 54627 | 19, 23-24, 35, | | 121, 135, 137, | 63362P | 75 | | 51-52, 55-56, |
| | 39-40 | | 139, 145-146, | 63363P | 75 | | 59, 61, 65-66, |
| | | | 155 | 63364P | 75 | | 69, 71, 75, 77, |
| 54692 | 99, 145-146, 159 | 6091 | 27, 43, 51-52, | 63397 | 165 | | 91-92, 95-96, |
| 54817P-S | 137, 139, 155 | | 55-56, 75, 77, | 63399P | 71 | | 99, 101, 103, |
| 55753 | 155 | | 91-92, 101, 103, | 63400P | 75 | | 105, 115, 117, |
| 56057 | 101 | | 105, 117, 119, | 63413 | 75 | | 121, 124, 135, |
| 56298 | 99, 145-146, 165 | | 121, 127-128, | 63414 | 75 | | 137, 139, 145- |
| 56765 | 165 | | 135, 137, 139, | 63418 | 75 | | 146, 155, 159 |
| 56766 | 165 | | 145-146, 155 | 63419 | 75 | 6666 | 103 |
| 56848 | 99, 145-146 | 6095 | 59 | 63426 | 55-56 | 66811 | 99 |
| 56911 | 23-24, 39-40 | 6096 | 23-24, 39-40, | 63427 | 55-56 | 66812 | 99, 145-146 |
| 56912 | 19, 23-24, 35, | | 63, 69, 95-96 | 63432 | 121 | 66813 | 145-146 |
| | 40, 55-56, 121, | 6097 | 55-56, 59, 63, | 63433 | 121 | 66815 | 146 |
| | 135, 163 | | 66, 69, 79, 81, | 63457P | 77 | 66816 | 99, 146 |
| 57201 | 165 | | 91-92, 105, 107, | 63461 | 11 | 66818 | 99, 145-146 |
| 58116 | 15, 17, 33 | | | 63462 | 75 | 66821 | 99, 145-146 |
| 58209 | 149 | | | | | | |

Part Number Index (continued)

| Part Number | Page | Part Number | Page | Part Number | Page |
|-------------|--|-------------|---|-------------|----------------------|
| 6708 | 15, 33 | 75685 | 95-96 | 89312 | 128 |
| 67349 | 73 | 75686 | 96 | 89617 | 91-92 |
| 6782 | 92, 103, 105 | 77026 | 23-24, 39-40 | 89801 | 127-128 |
| 6886 | 63, 69 | 77027 | 23-24, 39-40 | 89803 | 24, 40 |
| 6888 | 55-56, 71, 75, 77, 91-92, 101, 103, 105, 137, 139 | 77046 | 11 | 89871-3348 | 29, 45 |
| 6889 | 51-52, 61, 65- 66, 75, 77, 91- 92, 121, 155 | 77069 | 91-92 | 89871-3848 | 29, 45 |
| 6935 | 101, 103, 141, 143 | 77071 | 91-92 | 89871-3948 | 29, 45 |
| 7056 | 101, 103, 141, 143 | 7713 | 75, 121, 128, 137, 139, 159 | 89872 | 117, 119 |
| 72160 | 11 | 77139 | 55-56, 65-66, 71 | 89885 | 95-96 |
| 72164 | 13 | 77170 | 59 | 89915P | 155 |
| 72245 | 149 | 77181 | 135 | 94077 | 91-92 |
| 72255 | 65-66 | 77219 | 51-52 | 94374-2930 | 29 |
| 72268 | 121 | 77239 | 23-24, 40 | 94374-5230 | 109-110 |
| 72282 | 153 | 77240 | 23-24, 40 | 94374-5530 | 109-110 |
| 72319 | 23-24, 40 | 77296 | 56, 65-66 | 94374-5930 | 109-110 |
| 72326 | 141, 143, 153 | 77303 | 124, 128 | 94397 | 127-128 |
| 72327 | 75 | 77482 | 73 | 94398 | 123-124 |
| 7261 | 23-24, 40, 95-96 | 77874 | 123-124 | 94920 | 95-96 |
| 7265 | 103, 155 | 77875 | 127-128 | 94922 | 51-52, 55-56 |
| 72867 | 13 | 77877 | 123-124, 127- 128 | 9599-S | 155 |
| 73196 | 23-24, 35, 39-40 | 77885 | 55-56 | 97128 | 121 |
| 73198 | 19 | 79456 | 135 | 97887 | 13 |
| 73199 | 19 | 81007 | 121 | 97890 | 11, 13 |
| 73200 | 19 | 81008 | 23-24, 39-40 | T108075 | 124, 128 |
| 73204 | 39-40 | 81009 | 23-24, 39-40 | T108076 | 123-124, 127- 128 |
| 73205 | 39-40 | 81030 | 92 | T108077 | 127-128 |
| 73212 | 39-40 | 81043 | 61, 88, 128 | T108078 | 127-128 |
| 7339 | 55-56, 95-96 | 81044 | 88, 92 | T108079 | 127-128 |
| 73455 | 35 | 81175 | 127-128 | | |
| 73490 | 39-40 | 81196 | 61 | | |
| 73491 | 39-40 | 81489 | 23-24, 35, 39-40 | | |
| 73493 | 39-40 | 81492 | 23-24, 39-40 | | |
| 73575 | 23-24, 39-40 | 81493 | 23-24, 39-40 | | |
| 73593 | 81, 85 | 81578 | 115 | | |
| 73612 | 59 | 81640 | 135 | | |
| 73613 | 59 | 81692 | 115 | | |
| 73616 | 128 | 81693 | 124 | | |
| 73634 | 23-24, 39-40 | 81694 | 115 | | |
| 73764 | 19 | 8170 | 59, 66, 77 | | |
| 73806 | 115 | 8177 | 23-24, 35, 39- 40, 55-56 | | |
| 73807 | 123-124, 127- 128 | 8178 | 81, 85 | | |
| 73840P | 65-66 | 8179 | 121, 127-128 | | |
| 73841 | 95-96 | 81941 | 51-52 | | |
| 73858 | 23-24, 40 | 8220 | 15, 17, 33 | | |
| 73860 | 96 | 82242 | 13 | | |
| 73894 | 95-96 | 82366 | 11 | | |
| 73895 | 95-96 | 8255 | 15, 17, 33, 35, 105, 107, 115, 117, 119, 121, 135, 165 | | |
| 73918 | 96 | 83005 | 128 | | |
| 73923 | 39-40 | 83006 | 128 | | |
| 73925 | 39-40 | 84128 | 88 | | |
| 73928 | 123-124 | 8516 | 59, 123-124, 127-128 | | |
| 73969 | 117 | 88356-11165 | 121 | | |
| 73993 | 65-66, 71 | 88356-146R5 | 115 | | |
| 73994 | 121 | 8843 | 141, 143 | | |
| 74389 | 15, 17, 33 | 88455 | 51-52 | | |
| 75073 | 103, 105 | 88516 | 123-124, 127- 128 | | |
| 75395 | 123-124, 127- 128 | 88832 | 101 | | |
| 75466 | 95-96 | 89059 | 95-96 | | |
| 75468 | 115 | 89064 | 95-96 | | |
| 75469 | 124 | 89065 | 15, 17, 33 | | |
| 75470 | 115 | 89066 | 15, 17, 33 | | |
| 75658 | 96 | 89099 | 15, 33 | | |
| 75659 | 96 | 89100 | 15 | | |
| 75677 | 95-96 | 8914 | 65-66, 101, 121, 145-146 | | |
| 75682 | 96 | 8915 | 51-52, 55-56, 103, 105, 135, 137, 139, 155 | | |
| 75683 | 96 | | | | |
| 75684 | 95-96 | | | | |

The Part Description Index is an alphabetical index of all part descriptions included in this manual. The index shows what page(s) the part is used on.

5

5/16-18 X 2.25 LG.FLG.LCK.SCRW.....35

A

ACTUATOR, FORD EFI PRECISION.....51-52
 ADAPTER (53073,52591) **.....151
 ADAPTER,LP VENTURI.....51-52
 ADAPTER,PIPE NIPPLE.....109-110
 ADAPTER,THROTTLE ACTUATOR***.....51-52
 ADPTR,ST. THR 3/4-16 FEM PIPE.....71
 ADPTR,STR FEM INV 45D 1/4X1/4.....71
 AIR CLEANER.....65-66
 AIR CLEANER BRACKET, PAINTED.....71
 AIR CLEANER,FORD EFI***.....56
 AIR CLEANER,NELSON***.....71
 AIR INTAKE BRACKET, PAINTED.....77
 ALARM PKG,S-40***.....153
 ALARM,CHIME TONE 5-25VDC***.....153
 ALARM,INTERMITTENT TONE 6-30V*.....153
 ALARM,WARBLE TONE 5-30 VDC***.....141, 143
 ALTERNATOR, DEUTZ F3L10/F4L10*.....61
 ALTERNATOR, PERKINS (53883).....69
 ALTERNATOR,LRG-423 RE-BUILT*.....51-52
 ANDERSON HOUSING,15-45 AMP BLK....137
 ANDERSON HOUSING,15-45 AMP RED...137
 ANDERSON HOUSING,15-45,AMP,WHT...137
 ANGLE,CABLE TRACK TUBE,PAINTED....121
 ANGLE,RELAY MOUNTING,PAINTED.....101
 ASSY, CIRCUIT BREAKER 15A.....99
 ASSY,RELAY SOCKET,AUTO***.....101
 ASSY,TIRE/WHEEL,LH,RT,NM,W/SEA.....39-40
 ASSY,TIRE/WHEEL,RH,RT,NM,W/SEA.....39-40
 AUX TOP RAIL,6"(1.25")SERVICE.....155

B

BACKING PLATE, HOSE BLOCK, JIB.....135
 BAFFLE, PERKINS, S40, PAINTED*.....75
 BAFFLE,AIR,DEUTZ,PAINTED GRAY.....105
 BAFFLE,AIR,FORD,PAINTED.....105
 BALL STUD**.....103, 105
 BALL,CHECK (32810).....91-92
 BAR,AXLE ROTATION STOP,NON-OSC.....24, 40
 BAR,AXLE ROTATION STOP,OSC.....24, 40
 BAR,HYD.SWIVEL MOUNT PAINTED.....95-96
 BASE, W/1 N.O. CONTACTS***.....146
 BASE,WITHOUT CONTACTS.....99, 145-146
 BATT.CABLE,00,POS.,RED,50".....59, 65-66, 77
 BATTERY CABLE,1/0 GA,BLK 30".....59, 65-66, 77
 BATTERY HOLD DOWN,GROUP 31.....59, 65-66, 77
 BATTERY,12V,1000 CCA GRP 31.....59, 65-66, 77
 BEARING KIT (45553) TORQUE HUB.....23-24, 35, 39-40
 BEARING KIT, AUSCO***.....23-24, 39-40, 96
 BEARING KIT,BRAKE,MICO.....23-24, 39-40

BEARING KIT,MICO.....96
 BEARING KIT,PLAT ROTATOR,SUPER.....123-124, 127-128
 BEARING KIT,ROTATOR,9K***.....123-124, 127-128
 BEARING RACE (LARGE) (45873).....19
 BEARING RACE (SMALL) (45873).....19
 BEARING, POLYGON P2055 (59105).....15, 124
 BEARING,1.00IDX1.25ODX1.00L...15, 17, 33, 115
 BEARING,1.25ID X 1.5OD X 0.69L.....117, 119
 BEARING,1.25IDX1.5ODX1.00L...15, 33, 115, 123-124
 BEARING,1.5 ID X 1.75 ODX1.5L.....15, 17, 33
 BEARING,1.5"ID X 2"OD X 1.5"LG.....117, 119
 BEARING,1.5ID X 1.75OD X 1.0L...23-24, 39-40
 BEARING,FL,1.25ID X 1.41OD X 1...123-124, 127-128
 BEARING,FL,1.25IDX1.5ODX1.25L.....127-128
 BEARING,FLANGED,.376ID (20424).....149
 BEARING,GARLOCK,24DU24.....115
 BEARING,POLYGON,20DU12.....33, 124, 127-128
 BEARING,SERIES 3000.....95-96
 BELLCRANK ASSY W/BEARINGS.....127-128
 BELT,SERPENTINE,LRG425 EFI***.....51-52
 BELT,TIMING,FORD LRG423/425EFI.....51-52
 BELT,V KIT, PERKINS 704-30.....73
 BELT,V, DEUTZ DIESEL ENGINE.....61
 BLANKET,BATTERY.....163
 BLOCK,LOAD SENSOR.....165
 BOLT,CARRIAGE,1/4-20 X 1.00,G2.....135
 BOLT,CARRIAGE,1/4-20 X 2.75,G2.....135
 BOLT,CARRIAGE,3/8-16 X1.50,G5.....59
 BOLT-FLANGE,M6 X 22MM(52573).....51-52
 BOOT (20424).....149
 BOOT(BELLOWS),E-STOP,BLACK.....99, 145-146
 BOOT,BATTERY TERMINAL,RED.....59, 65-66, 77
 BOOT,CONTROLLER.....151
 BOOT,SOLENOID,29073.....65-66, 71
 BOOT,THUMB 20424 JOYSTICK.....149
 BOOT,TOGGLE SWITCH,SHORT*.....99, 145-146, 159, 163
 BRACKET, CABLE CLAMP.....121
 BRACKET, PANEL WIRE MOUNTING.....99
 BRACKET,ACTUATOR ARM MTG,PTD.....65-66
 BRACKET,AIR CLEANER MTG.PAINT.....65-66
 BRACKET,AIR CLEANER PERKINS.....71
 BRACKET,AIR FILTER,FORD GAS PT.....56
 BRACKET,AUX.PUMP MNT.PAINTED.....91-92
 BRACKET,COVER HINGE,BLUE.....103, 105
 BRACKET,HOSE CLAMP.....135
 BRACKET,HYDRAULIC FILTER PNT.....65-66
 BRACKET,LIMIT SWITCH EXT,BLUE*.....121
 BRACKET,MAP SENSOR,PAINTED.....51-52
 BRACKET,SOLENOID MTG,PAINTED.....65-66
 BRACKET,TOGGLE SWITCH.....101
 BRACKET,WORK LIGHT MOUNT 5/16".....155
 BRACKET,YOKE HOSE MOUNT,PAINTD.....35

BRACKET-FUEL FILTER (52567).....51-52
 BRAKE ASSEMBLY,TURNTABLE ROT.....96
 BRAKE,MICO,1200 IN/LB***.....23-24, 39-40
 BRAKE,SWING,2800 IN/LB.....96
 BRIDGE,50A FULL WAVE**.....159
 BRUSH 3/8 X 1/4 X 15/16(36928).....159
 BRUSH ASSEMBLY.....159
 BRUSH HOLDER ASSY, 2500W GENER...159
 BULB,WORKLIGHT,12V 35W.....155
 BULKHEAD,FEMALE X 4.....103
 BUMPER, PLASTIC, 1.25 O.D.....155
 BUMPER,BATTERY BOX & RAILS.....155
 BUMPER,RUBBER***.....55-56
 BUMPER,RUBBER,.75 X .50H,STUD.....103, 105
 BUMPER,RUBBER-1 X 1.25.....103, 105
 BUSHING,SPRING SEAT.....151
 BUTTON,PUSH,BLACKW/SEAL***.....145-146

C

CABLE CLAMP.....121
 CABLE CLAMP ASSEMBLY,S40.....121
 CABLE COVER,JIB***.....127-128
 CABLE SQUEEZE CONN.....101
 CABLE SQUEEZE CONN.,XTRA LRG.....101, 141, 143
 CABLE TIE,11.5" BLACK.....137, 139
 CABLE TIE,4" BLK,HEAT RESISTNT.....99, 137, 139
 CABLE TRACK TRAY ASSY W/TRIM.....121
 CABLETRACK,PLATED, 41 LINK.....121
 CAM ASSY (20424).....149
 CAP, COOLANT RET SYS(54071).....75
 CAP, SIDE OIL FILL, PERKINS.....69
 CAP,DIAGNOSTIC NIPPLE.....21, 27, 37, 43, 88
 CAP,DISENGAGE-45553 TORQUE HUB....23-24, 35, 39-40
 CAP,DUST,45873 HUB KIT.....19
 CAP,FILLER BREATHER,3 MICRON**.....79, 81, 83, 85
 CAP,FUEL,DIESEL,1/8"VENT(GRN).....85
 CAP,FUEL,GAS,1/8"VENT(RED).....81
 CAP,FUEL,GREEN*.....83
 CAP,FUEL,RED***.....79
 CAP,OIL FILLER, PERKINS.....71
 CAP,OIL FILLER,DEUTZ,DIESEL***.....65-66
 CAP,RADIATOR,FORD***.....59
 CAP,RADIATOR,PERKINS/FORD.....75
 CAPACITOR,TIME DELAY.....143
 CARRIER TERMINAL(5 PER BLOCK).....101
 Check Valve.....27, 43, 87-88
 CLAMP PAIR,DUAL HOSE.....35
 CLAMP, HOSE (53883).....73
 CLAMP,0.75,#12 X 1/4,RUB CUSH.....143
 CLAMP,1.13,#18 X 1/4,RUB CUSH.....55-56
 CLAMP,1.63,#26 X 3/8,RUB CUSH.....135
 CLAMP,1.75,#28 X 3/8,RUB CUSH*.....59, 127-128
 CLAMP,2.75,#44 X 1/4,RUB CUSH.....77, 79, 81
 CLAMP,HOSE 2 5/16-3 1/4.....65-66, 71
 CLAMP,HOSE,.63.....51-52, 55-56
 CLAMP,HOSE,1.25***.....51-52
 CLAMP,HOSE,1.75.....52
 CLAMP,HOSE,1.75,LINED.....59

Part Description Index (continued)

- CLAMP,HOSE,2.25" DIA.....59
 CLAMP,HOSE,2.50"***.....51-52
 CLAMP,HOSE,3.00".....56
 CLAMP,HOSE,BOTTOM,MOLDED.....121
 CLAMP,HOSE,SIZE .25 TO .63.....75, 79, 81, 83, 85
 CLAMP,HOSE,TOP,MOLDED.....121
 CLAMP,JIB HOSE/CABLE.....135
 CLAMP,JIB HOSE/CABLE,ARCTIC.....135
 CLAMP,MUFFLER,2 1/4" ID.....63
 CLAMP,RUB CUSH,0.75,#12 X 3/8".....35, 69
 CLAMP,TWO HOSE.....135
 CLEVIS YOKE 1/4-28,PLTD W/PIN.....27, 43, 65-66, 71
 COIL, 12V, 19972/21623/29069.....88
 COIL, ELECTRONIC IGN., FORD.....52
 COIL,10V.....92
 COIL,10V SPADE,D03.....87-88, 91-92
 COIL,12V,19970,19971.....88
 COIL,12V,DO1 VALVE.....159
 COIL,GREEN W/ 2 PIN CONNECTOR*.....128
 COIL,SOLENOID,10DSD 10V,W/DIOD.....88, 92
 COIL,SOLENOID,10V.....55-56, 61, 77, 88
 COIL,SOLENOID,8 DSD 10V,W/DIO.....61, 88, 128
 COLD START PKG,DEUTZ,BIG BOOM.....163
 COLD START PKG,PERKINS,BB.....163
 COLD START,FORD, BIG BOOM.....163
 COLLAR, BOOT RETAINING.....149
 C O M P R . L I N K , M A C H I N E D , G N D
 CONTR*.....127-128
 CONN,070103-4,.030 ORI.....109-110
 CONN,520102-16.....109-110, 161
 CONN,520102-6-6.....79, 81, 83, 85, 109-110
 CONN,520120-10-12.....161
 CONN,520120-12-16.....109-110
 CONN,520120-16.....109-110
 CONN,520120-4***.....110, 161
 CONN,520120-4-6***.....131, 133, 161
 CONN,520120-4-6,.030 ORI.....133
 CONN,520120-4-6,.035,ORI.....133
 CONN,520120-8***.....110, 131, 133, 161
 CONN,520120-8-10.....29, 45, 109-110
 CONN,520120-8-12.....45
 CONN,LONG,520122-6.....110, 131, 133, 161
 CONN,LONG,520122-8.....110, 131, 133, 161
 CONN,RECEP 120AC/15A DOMESTIC.....103
 CONN,SQUEEZE,1/2NPT .38-50,SM.....101, 103, 141, 143
 CONN,TEE,UNION,520401-6,ORFS.....31, 49
 CONN. SQZ,1/2NPT .38-50,90DEG.....95-96
 CONNECTOR ASSY,FOOTSWITCH S40.....137
 CONNECTOR, DEUTZ FUEL SHUTOFF.....65-66
 CONNECTOR,520120-4 SPEC.....133
 CONTACT,N.O.***.....99, 146
 CONTACT,NC.....99, 145-146
 CONTACTOR,LIMIT SWITCH.....95-96, 115, 121
 CONTROL BOX COVER, RIGHT SIDE.....155
 CONTROL BOX COVER,LEFT SIDE.....155
 CONTROL BOX W/LID & DECAL.....141, 143
 CONTROLLER,GLOW PLUG (53883).....77
 COOLANT RETURN SYSTEM,Z45***.....55-56, 75
 COOLER-HYDRAULIC OIL.....107
 CORROSION INHIBITOR,FOAM.....101, 141, 143
 Counterbalance Valve.....87-88
 COUPLER, PUMP / MOTOR (36179).....91-92
 COUPLER,HUB,15 TOOTH 7/16BOLT*.....55-56, 63, 69
 COUPLER,PUMP TO MOTOR (32810).....91-92
 COVER ASSY W/DECAL,DIE.RH BIGB.....105
 COVER ASSY W/DECAL,GAS,RH.....105
 COVER ASSY W/DECAL,WRD,RH BB.....105
 COVER ASSY W/DECALS,L.H. BB.....103
 COVER ASSY W/DECALS,LH B/B SQ.....103
 COVER CAP,TORQUE HUB***.....23-24, 35, 39-40
 COVER CASTING,20424 CONTROLLER...149
 COVER PLATE,COUNTERWGHT,PTD.....107
 COVER PLT,COUNTERWGHT,PNTD.....107
 COVER SUPPORT WELDMNT LH.....103
 COVER SUPPORT WELDMNT RH.....105
 COVER, CHASSIS ASSY W/DECALS.....24, 40
 COVER, JIB HOSES/CABLES*.....127-128, 135
 COVER,CABLE TRACK.....121
 COVER,CONTROL BOX LID***.....155
 COVER,ENGINE SIDE (F30-1011F).....63
 COVER,FRONT DEUTZ ENGINE.....61
 COVER,GFCI,WEATHERPROOF.....141, 143
 COVER,KNOCK OUT HOLE,4 PER BAG.....141, 143
 COVER,NON-STEER AXLE "BLUE".....23-24, 40
 COVER,SUPPORT WELDMNT,LH.....103
 COVER,WIRING DUCT, 1.5.....101
 COVER-FRONT TRNTBLE W/DE S40.....107
 COVER-HINGED, GRND CNTRL.....103
 COVR W/DECL,DR.CHAS.NONSTEER.....24, 40
 COVR W/DECLS,DR.CHAS.STR.END.....19, 35
 COW CATCHER,PLASTIC.....121
 CVR ASSY W/DECALS,DRV CHASS ST.....19, 35
 CYLINDER, MASTER, S40.....115
 CYLINDER,EXT.2.5" X 163.5".....117, 119
 CYLINDER,JIB (STICK BOOMS).....127-128
 CYLINDER,LIFT,S40.....115
 CYLINDER,MASTER,S45***.....115
 CYLINDER,SLAVE,3 X 11.38***.....127-128
 CYLINDER,SLAVE,S40/45.....124
 CYLINDER,STEER***.....15, 17, 33
- ## D
- D03 Valve.....87-88
 DECAL KIT,INSTR,S40 GAS.....11, 13
 DECAL KIT,INSTRUCT,S40 DIESEL.....11, 13
 DECAL, ENGINE SPEC, PERKINS.....11
 DECAL, GENIE LOGO 14" LONG.....11
 DECAL,ARROW BLUE.....13
 DECAL,ARROW YELLOW LRG 9".....13
 DECAL,COSMETIC,4 X 2.....13
 DECAL,COSMETIC,4 X 4.....13
 DECAL,COSMETIC,GENIE S-40.....11
 DECAL,COSMETIC,GENIE S-45.....11
 DECAL,COSMETIC,S40.....13
 DECAL,COSMETIC,S40,10".....13
 DECAL,COSMETIC,S45.....13
 DECAL,COSMETIC,S45,10".....13
 DECAL,DANGER DO NOT ALTER SWTC.....13
 DECAL,DANGER,ELEC.HAZ.STAY CLR.....11, 13
 DECAL,DANGER,GEN SAFETY RULES.....11, 13
 DECAL,DANGER,NO SMOKING***.....11
 DECAL,DANGER,TILT ALARM***.....13
 DECAL,DANGER,TIP-OVER,TIRES***.....11, 13
 DECAL,GND CONT PNL,S45/S60/80.....11
 DECAL,INSTR,MAX SIDE FRC,ANSI.....13
 DECAL,INSTR,SIDE FRC/WIND,AUS.....13
 DECAL,INSTRUCT,FOOTSWITCH OPER.....13
 DECAL,LABEL,AIRLINE 110 PSI.....13
 DECAL,LABEL,DIESEL FUEL.....11
 DECAL,LABEL,FUEL SELECT PATCH.....13
 DECAL,LABEL,LFT/DRV SELECT.....13
 DECAL,LABEL,LIGHTS***.....13
 DECAL,LABEL,LIQUID PROPANE.....11
 DECAL,LABEL,MANUAL NOT HERE.....13
 DECAL,LABEL,UNLEADED GAS ONLY.....11
 DECAL,LABEL-CHEVRON RANDO.....11
 DECAL,LANYARD ANCHORAGE POINT.....13
 DECAL,NOTICE, FUNCTION ENABLE*.....11
 DECAL,NOTICE, TIRE PRESSURE.....11
 DECAL,NOTICE,AIR INLET***.....11
 DECAL,NOTICE,DEUTZ ENG SPEC.....11
 DECAL,NOTICE,FORD EFI ENG SPEC.....11
 DECAL,NOTICE,HAZARDOUS MAT'LS*.....11
 DECAL,NOTICE,MAX LOAD 500 LBS.....13
 DECAL,NOTICE,OPER INST.IC***.....11, 13
 DECAL,NOTICE,SHUTOFF VALVES.....11
 DECAL,OPTION GLOW PLUGS***.....13, 163
 DECAL,PATCH,GEN,ALC500.....13, 159
 DECAL,PLATFORM CTRL PANEL,S40.....13
 DECAL,PLATFORM CTRL,S40/S45.....13
 DECAL,POWER TO PLATFORM 115V.....11, 13
 DECAL,POWER TO PLATFORM 230V.....11, 13
 DECAL,PROTCTR,CLEAR,PLATE,S40.....13
 DECAL,TRIANGLE,BLUE.....13
 DECAL,TRIANGLE,YELLOW.....13
 DECAL,USE DEXRON***.....11
 DECAL,WARN,CRUSH HAZARD HAND....11, 13
 DECAL,WARN,CRUSH HAZARD PLAT.....11
 DECAL,WARN,IMPROPER OPERATION.....13
 DECAL,WARN,NO STEP OR RIDE.....11
 DECAL,WARNING-COMPART ACCESS.....11
 DIAGNOSTIC FEMALE Q-DSCNT.....21, 27, 37, 43, 88
 Diagnostic Fitting.....21, 27, 43
 Diagnostic fitting.....37
 Diagnostic Nipple.....87-88
 Differential Sensing, 150 psi.....87-88
 Differential Sensing, 150 psi.....87-88
 Differential Sensing Valve.....27, 43, 87-88
 DIN RAIL,23.75".....101
 DIODE BLOCK SUPPRESSION.....101
 DIODE,6 AMP,200 PIV,BULK.....159
 DIPSTICK (53883).....71
 DIPSTICK, OIL LEVEL,LRG425 EFI.....51-52
 DIPSTICK-F3L1011F (DEUTZ).....65-66
 DISC KIT DRIVE TURNABLE Z-60*.....96
 DISCONNECT ROD-45553 TQ.HUB.....23-24, 35, 39-40
 DOOR LATCH,BASE CONTROL BOX.....103
 DRIVE GEAR - INSIDE #53073.....151
 DRIVE GEAR - OUTSIDE #53073.....151

E

E-STOP BUTTON.....99, 145-146
 EDC ASSY,SAUER,M46***.....55-56, 63, 69
 ELBOW,45D,140339-16.....109-110
 ELBOW,45D,520320-10-8.....161
 ELBOW,45D,520320-6.....29
 ELBOW,45D,520320-8.....45, 161
 ELBOW,90 DEGR,RUBBER,2.5" I.D.*.....65-66, 71
 ELBOW,90D, 070202-4.....95-96
 ELBOW,90D,520202-12-16.....109-110, 161
 ELBOW,90D,520220-10.....110
 ELBOW,90D,520220-4-4.....29, 45, 110
 ELBOW,90D,520220-4-6***.....29, 45, 131, 133
 ELBOW,90D,520220-6.....29, 31, 45, 49
 ELBOW,90D,520220-8-12.....109-110
 ELBOW,90D,520220-8-6.....109-110
 ELBOW,90DEG,FEM,1"NPT.....109-110, 161
 ELBOW,90DEG.3/8MPT-5/8 BARB.....55-56
 ELBOW,SWIVEL 90D, 520221-6.....131, 133
 ELBOW,SWIVEL 90D, 520221-8.....131, 133
 END CAP,AIR FILTER-27915&49740....56, 65-66
 END HEAD, 32810 POWER UNIT.....91-92
 END PLATE,WAGO.....141, 143
 END SET,STEEL43482,43483,43484.....121
 EXHAUST,TAIPIPE,DEUTZ,S40.....63
 EXTENSION BOOM TUBE ASSY. S-45.....119
 EXTRUSION,RUBBER BUMPER STRIP.....79, 81, 83

F

FAN SHROUD, PAINTED.....75
 FAN, LSG423/LRG425.....51-52
 FAN, PERKINS (53883).....73
 FAN,OIL COOLER***.....107
 FEMALE BULKHEAD CONNECTOR-8.....157
 FILTER ASSEMBLY W/IND L,PAPER.....79, 81, 83, 85
 FILTER ASY,M PRESS,SAE8,WOIND*.....55-56, 65-66, 71
 FILTER ELEMENT-10 MIC.***.....55-56, 65-66, 71
 FILTER FOR FUEL/WTR SEP,22290.....71
 FILTER MOUNT BRACKET.....55-56, 65-66
 FILTER, FUEL LRG 425/423 EFI.....79, 81
 FILTER,AIR.....71
 FILTER,AIR,ELEMENT***.....56, 65-66
 FILTER,ELEMENT,BETA(5)=1000.....55-56
 FILTER,ELEMENT,BETA(6)=200.....79, 81, 83, 85
 FILTER,FUEL,PERKINS.....71
 FILTER,FUEL/WTR SEP, DTZ 1008.....65-66
 FILTER,OIL,DEUTZ F4L1011F.....65-66
 FILTER,OIL,FORD.....51-52
 FILTER,OIL,PERKINS 704-30 (BB).....71
 FITTING, M18 X 8, 52MO187.....63
 FITTING, 1/4 MPT 5/16 BARB.....79, 81, 83, 85
 FITTING,CONN,520120-12***.....29, 45, 109-110, 161
 FITTING,CONN,520120-6.....31, 49, 109-110, 131, 133, 161
 FITTING,CONN,520120-6-8***.....31, 49, 110, 161
 FITTING,CONN,520120-8-6.....31, 49
 FITTING,ELBOW,45D,520320-12***.....29, 45
 FITTING,TEE,RUN,SWIVEL52043212.....109-110, 161

FITTINGS, LIFT PUMP INLET PORT.....71
 FLANGE-JOYSTICK MOUNTING,44988.....151
 Flow Divider/Combiner.....21
 Flow Divider/Combiner Valve.....37
 Flow Regulator, 0.1 gpm.....87-88
 Flow Regulator, 0.6 gpm.....87-88
 Flow Regulator, 2.0 gpm (without oscillating axle OR 3.5 gpm with oscillating axle).....87-88
 FLYWHEEL COVER,CASTING***.....63
 FLYWHEEL FLANGE, GREEN PLASTIC.....55-56, 63, 69
 FOOT SWITCH***.....137, 139
 FOOTSWITCH ASSY W/CONN.....137
 FUEL INJECTOR, LRG-425 EFI.....51-52
 FUEL LINE INJ. DEUTZ F4L1011F.....63
 FUEL PRESSURE REG,425EFI***.....51-52
 FUEL PUMP RELOCATION KIT.....51-52
 FUEL TANK,H/D PLASTIC W/DECAL*.....81, 85
 FUSE, 13 AMP,220V PLUG.....103

G

GASKET - THROTTLE BODY, 425EFI.....51-52
 GASKET, FORD OIL DRAIN.....55-56
 GASKET, THERMOSTAT (53883).....73
 GASKET, WATER PUMP.....51-52
 GASKET,0.0005,SILVER (32810).....91-92
 GASKET,0.00075,GOLD (32810).....91-92
 GASKET,0.001,AMBER (32810).....91-92
 GASKET,ADAPTER PLATE,425EFI***.....51-52
 GASKET,EXHAUST.....55-56, 63
 GASKET,GROUND CONTROL BOX.....101
 GASKET,LP ADAPTER.....51-52
 GASKET,MUFFLER PERKINS(53883).....69
 GASKET,PUMP TO DC MTR.(32810).....91-92
 GASKET,THERM.HSNG O-RING.....52
 GASKET,UPPER CONTROL BOX.....141, 143
 GASKET,WATER PUMP,PERKINS.....73
 GASKET-VENTURI BEAM (FORD).....51-52
 GATE LATCH CASTING--DRILLED.....155
 GAUGE,FUEL,SIDE MOUNT.....79, 83
 GAUGE,OIL PRESSURE W/O SENDER.....99
 GAUGE,OIL TEMP.....99
 GAUGE,VOLTAGE.....99
 GAUGE,WATER TEMP.....99
 GAUGE-SIGHT,LHA-LGTB***.....79, 81, 83, 85
 GEAR CASTING,20424 CONTROLLER*.....149
 GEN S40 2000W SERV OPT.....159
 GEN.S40 3000W SERV.SYNFLEX.....159
 GENERATOR OPT. 2000W(PARKER).....159
 GENERATOR OPT.-2500W(PARKER).....159
 GENERATOR OPT.-3000W(PARKER).....159
 GENERATOR OPTION, 2500 WATT.....159
 GENERATOR,2000W,HYDRAULIC***.....159
 GENERATOR,3000W HYD.220/50HZ.....159
 GENERATOR,3000W,HYDRAULIC***.....159
 GLOW PLUG,L1011.....163
 GROMMET,RUBBER .25 X .50"OD.....165
 GROMMET,RUBBER .5 X .014 X .75.....139
 GROUND CNTRL BOX W/DECALS S-40.....101
 GUARD, HOSE PROTECTOR.....33, 35
 GUARD, FOOT SWITCH, W/DECAL STEEL.....137, 139
 GUARD,PLATFORM CNTRL PANEL PTD.....155
 GUARD-FAN, DEUTZ ENG,F4L1011F.....61

H

HANDLE HALF,JOYSTICK (20424).....149
 HANDLE,CAP,CONTROLLER.....151
 H A R N E S S , P L U G , N O N - L O A D WEIGHING.....101
 HARNESS,RPM SOLENOID RELAY.....65-66, 71
 HEATER,FREEZE PLUG,FORD LRG423...163
 HINGE,,375X.120THK.,SLOTTED.....103, 105
 HINGE,PLAT CONTROL BOX COVER.....155
 HORN,12VDC,SPADE TERMINALS***.....115
 Hose Assembly - Components: @ 10 inches (25 cm).....49
 Hose Assembly - Components: @ 100 inches (253 cm).....45
 Hose Assembly - Components: @ 12 inches (31 cm).....49
 Hose Assembly - Components: @ 16 inches (41 cm).....133
 Hose Assembly - Components: @ 500 inches (1270 cm).....133
 Hose Assembly - Components: @ 58 inches (147 cm).....49
 Hose Assembly - Components: @ 76 inches (192 cm).....45
 Hose Assembly - Components: @ 9 inches (23 cm).....49
 HOSE ASSEMBLY, 1/2".....161
 HOSE ASSEMBLY, 3/8".....29, 45
 HOSE ASSEMBLY, 5/8".....110, 161
 HOSE ASSEMBLY,1".....109-110
 HOSE ASSEMBLY,1/2".....29, 45, 109-110, 157, 161
 HOSE ASSEMBLY,1/4".....95-96, 103, 109-110, 131, 133
 HOSE ASSEMBLY,3/4".....29, 45
 HOSE ASSEMBLY,3/4" STR-STR.....29, 45
 HOSE ASSEMBLY,3/8".....29, 31, 45, 49, 109-110, 131, 133
 HOSE ASSEMBLY,5/8".....109-110, 161
 HOSE ASSEMBLY,LP GAS-86" LNG**.....79, 81, 159
 HOSE ASSY 3/8".....63
 HOSE ASSY,1/2,45 FEM,STR FEM.....31
 HOSE ASSY,1/2,90 FEM,STR FEM.....31, 161
 HOSE ASSY,1/4,45 FEM,STR FEM.....133
 HOSE ASSY,1/4,90 FEM,STR FEM.....29, 31, 45, 49, 110, 133, 161
 HOSE ASSY,1/4,STR FEM,STR FEM.....45, 131, 133
 HOSE ASSY,3/4,45 FEM,STR FEM.....29, 45, 109-110
 HOSE ASSY,3/4,90 FEM,STR FEM.....29, 45, 109-110
 HOSE ASSY,3/4,90 FEM,STR FEM**.....109-110
 HOSE ASSY,3/4,STR FEM,STR FEM.....109-110
 HOSE ASSY,3/8,45 FEM,STR FEM....109-110
 HOSE ASSY,3/8,90 FEM,STR FEM.....31
 HOSE ASSY,FORD OIL DRAIN 1/2".....55-56
 HOSE COVER,LWR CABLE TRK,BLUE.....121
 HOSE END,90DEG,.63 HS X.25 MPT.....55-56
 HOSE END,MALE.25 X .25 MPT.....83, 85
 HOSE GUIDE, JIB.....135
 HOSE, UPPER RADIATOR.....52, 59
 HOSE, WATER PUMP (53383).....73
 HOSE,1/4 FUEL LINE,SAE 30R7.....83, 85
 HOSE,5/16 FUEL,SAE 30R7.....79, 81, 83, 85

Part Description Index (continued)

- HOSE,AIR INT.2.5 IDX12" W/450.....56
HOSE,AIR INTAKE 2.25" I.D.....65-66
HOSE,AIR INTAKE 2.5 ID X 6.5.....51-52
HOSE,AIR INTAKE 2.5" I.D.....65-66, 71
HOSE,AIR INTAKE 2.75" I.D.....65-66
HOSE,FIRE RES.,5/8 ID,BULK.....51-52, 55-56
HOSE,LOWER RADIATOR,Z45.....59
HOSE,WATER INLET,LRG425 EFI.....52, 55-56
HOUR METER,10-80 VOLTS***.....99
HOUSING,THERMOSTAT (53883).....73
HOUSING,WORKLIGHT***.....155
HUB ASSEMBLY MODEL#60-8.....19
HYD SWIVEL,7 PORT,S40/60.....95-96
HYDRAULIC MOTOR 3000W GENER.....159
HYDRAULIC SWIVEL,7 PORT,S40.....95-96
HYDRAULIC SWIVEL,9 PORT***.....95-96
HYDRAULIC TANK ASSY,S40/80***.....79, 81, 83, 85
- I**
- INJECTOR - DEUTZ F4L1011F.....63
INJECTOR PUMP - DEUTZ F4L1011F.....63
INNER CONE - MODEL 60-8.....19
ISOLATOR,AIR FILTER MOUNT.....56, 59, 71
ISOLATOR,VIBRATION,LG,RD&WH***.....59, 61, 75
- J**
- JIB BOOM ASSY W/WORD DECAL.....127-128, 135
JOYSTICK CONTROLLER,12V.....149
JOYSTICK,MULT AXIS CONT,OEM***.....151
- K**
- KEY,LATCH, 1 PAIR (28125).....103, 105
KEYSWITCH,3POS.MNTND.DR WKEY**.....99
KEYSWITCH,CONTACTS LOCK.....99
KIT, AUX TOP RAIL SUPPORT.....155
KIT, FIELD INSTALL, SWING GATE.....155
KIT, JOYSTICK HANDLE.....149
KIT,CONTROL BOX COVER.....155
KIT,COVER,TORQUE HUB,45553***.....23-24, 35, 39-40
KIT,ESTOP SVC BB&SM BOOM.....99, 145-146
KIT,FORD EFI UPDATE,BASE***.....51-52, 55-56
KIT,GASKET,UK POWER TO PLAT.....141, 143
KIT,HORN SVC BB&SM BOOM.....145-146
KIT,KEYSWITCH SVC BB & SM BOOM.....99
KIT,LOADSENSE,UPGRD,S40/45 OEM.....165
KIT,PLAT CONTROL PANEL GUARD**.....155
KIT,SEAL& BEARING,ARC,ROT.9K.....127-128
KIT,SWING GATE W/SPRING.....155
KIT,TORQUE HUB COVER (45553)**.....23-24, 35, 39-40
- L**
- LATCH,FLUSH CUP***.....103, 105
LATCH,SLIDE, FLUSH MOUNT STYLE.....103
LATCH,T-HANDLE,5 SIDED W/KEYS*.....103, 105
LATCH,TURNTABLE FLUSH STYLE.....103, 105
- LENS,AMBER,STROBE,FIREBOLT.....153
LEVEL,BUBBLE,2 DEGREE.....23-24, 39-40
LEVER ALTERNATOR, (53883).....73
LIGHT,INDICATOR,RED,14V***.....99, 145-146, 165
LIMIT SWITCH BRKT,DRIVE,PAINT.....95-96
LIMITER PC BOARD, HORSEPOWER.....141, 143
LINING KIT,AUSCO (73918)***.....96
LINING KIT,AUSCO BRAKE***.....23-24, 40
LINING KIT,MICO BRAKE.....23-24, 39-40
LINING REPAIR KIT (41915).....96
LINKAGE ROD.....27, 43
LOAD CELL BENDING TYPE.....165
LOCK RING.....149
LOCKNUT,ELEC,1/2".....101, 103, 141, 143
LOCKNUT,ELECTRIC,1" NPT.....101
LOCKNUT,ELECTRIC,3/4".....101, 141, 143
LP.TANK BRACKET TALL W/LDMNT.....79, 81, 159
LP.TANK BRKT W/LDMT.,SHORT.....159
LP.TANK BRKT W/LDMT.,TALL.....79, 81
LUG BOLT,5/8-18,WHEEL HUB.....19
LUG,WHEEL STUD,5/8-18,W1/4HB*.....23-24, 35, 39-40
- M**
- MALE PIPE THD,1/4" SER,3/8"X18.....157
MANIFOLD,GENERATOR.....159
MANIFOLD,JIB SELECT***.....128
MANIFOLD,MLTI-FUNCTION,S40/45.....88, 91-92
MANIFOLD,MULTI-FUNCTION S40.....88, 91-92
MANIFOLD,OSCILLATION.....27, 43
MANIFOLD,ROTATOR,CB***.....123-124, 127-128
MANIFOLD,S40/45 BRAKE,NC 2POS.....61
MANIFOLD,STR/OSC, S40.....92
MANIFOLD,STR/OSC, S40.....92
MANIFOLD,TRACTN,4WD,(S)SERIES*.....37, 39-40
MANIFOLD,TURNTABLE ROTATION***.....95-96
MANUAL BOX W/DECALS***.....137, 139
MAP SENSOR, EFI.....51-52
MICROSWITCH,13482 FOOTSWITCH.....137, 139
MICROSWITCH,V3L-139-D8.....151
MIDRAIL GUIDE (HOOK).....137, 139
MODULE,IGNITION/START,12/24V.....101
MODULE,LOAD SENSE,W/12V RELAY.....165
MOTOR -HYD.2500W GENER REFURB.....159
MOTOR,12V DC (32810/32811)APU.....91-92
MOTOR,12V DC,APU (53236).....91-92
MOTOR,12VDC,77066.....91-92
MOTOR,HYD,25CC FIXED***.....35
MOTOR,HYDRAULIC GENERATOR.....159
MOTOR,HYDRAULIC,AXIAL PORTS***.....23-24
MOTOR,PISTON,LC30,10 DEG,13T**.....40
MOTOR,SWING DRIVE (53147).....95-96
MOTOR,TURNTABLE ROTATION***.....95-96
MOUNT,RAD.SUPPT,LH,BLUE.....59
MOUNTING BAND,NOLFF AIRCLEANR*.....56, 65-66
MPT,CPLR,1/4"SER,3/8"X18.....157
MUFFLER BRACKET,PAINTED.....69
MUFFLER, PERKINS.....69
- MUFFLER,DEUTZ.....63
MUFFLER,FORD LRG S40-60-80***.....55-56
- N**
- NIPPLE,DIAGNOSTIC,#4 PORT***.....21, 27, 37, 43, 88
NIPPLE,DIAGNOSTIC,#6 PORT***.....109-110
NON-STEER AXLE ASSY,S40.....23-24, 39-40
NUT & BOLT KIT (25883).....149
NUT - PLASTIC,RING FOR ALARMS.....141, 143, 153
NUT - WING, AIR FILTER, 425EFI.....56, 65-66
NUT, CP521-1 VALVE.....159
NUT,EXHAUST MANIFOLD-FORD,LRG.....55-56
NUT,HEX,1/4-28.....27, 43, 65-66, 71
NUT,HEX,5/16-18.....63, 69
NUT,HEX,JAM,1-8.....15, 17, 33
NUT,HEX,M4 X 0.7 MM (20424)***.....149
NUT,LOCKING-LG.FLANGE,5/16-18.....56
NUT,LOCKING-LRG.FLANGE,3/8-16.....59
NUT,LP NYLOCK,1/2-13.....15, 17, 33
NUT,LP NYLOCK,1/4-20.....51-52, 61, 65-66, 75, 77, 91-92, 121, 155
NUT,LP NYLOCK,3/8-16.....75, 121, 128, 137, 139, 159
NUT,LP NYLOCK,5/16-18.....35, 65-66, 79, 81, 103, 105
NUT,LUG,5/8-18 X 90 DEGREE,Z45.....19, 23-24, 35, 39-40
NUT,MUFFLER PERKINS 10MM.....69
NUT,NYLOCK,1-8.....123-124
NUT,NYLOCK,1/2-13.....59, 95-96
NUT,NYLOCK,1/4-20.....27, 43, 51-52, 55-56, 75, 77, 91-92, 101, 103, 105, 117, 119, 121, 127-128, 135, 137, 139, 145-146, 155
NUT,NYLOCK,10-24.....27, 43, 65-66, 71
NUT,NYLOCK,10-32.....51-52, 95-96, 101, 103, 105, 137, 139, 143, 145-146, 153
NUT,NYLOCK,3/8-16.....15, 33, 59, 79, 81, 83, 85, 107, 123-124, 127-128, 135, 137, 139
NUT,NYLOCK,5/16-18.....92, 103, 105
NUT,NYLOCK,5/8-11.....59, 61, 75, 91-92, 115
NUT,NYLOCK,6-32.....141, 143, 165
NUT,SOLENOID,2POS 3WAY.....55-56, 61, 77, 88, 128
NUT,SPINDLE,1-14.....19
NUT,WING,1/4-20.....59, 66, 77
NUT-D03 COIL.....87-88, 91-92
NUT-SOLENOID VALVE (52885).....92
NUTSERT,1/4-20,STEEL CAD PLTD.....101, 141, 143
- O**
- O-RING KIT (ORFS FITTINGS).....21, 27, 29, 31, 37, 43, 45, 49, 87-88, 109-110, 131, 133, 161
O-RING KIT,FIELD SVC,ALL PROD.....21, 27, 29, 31, 37, 43, 45, 49, 87-88, 110, 131, 133
O-RING***.....55-56, 63, 69
O-RING, D03 COIL.....87-88, 91-92
O-RING, DO1 VALVE.....88, 159
O-RING, TORQUE HUB.....23-24, 35, 39-40
O-RING,2-042 N674-70***.....96
O-RING,2-044 BUNA.....23-24, 35, 39-40, 96
O-RING,MOTOR TO BRAKE.....23-24, 40, 96

OIL COOLER KIT,S40.....107
 OIL COOLER(SYNFLEX)S40,60,80.....107
 OIL FILLER CAP FOR LRG ENGINE.....52
 OPTION,WORKLIGHT,12 VOLT.....155
 Orifice Plug.....21, 27, 37, 43
 ORIFICE PLUG, .140.....88
 ORIFICE PLUG,.025 (30551).....92
 OSCILLATE VALVE LINKAGE.....27, 43
 OSCILLATE,CYLINDER S40/45.....15, 33
 OUTER CONE - MODEL 60-8.....19
 OUTLET,110V GFCI***.....141, 143

P

PAD,CABLE CLAMP121
 PAD,EXTENSION CYLINDER,BOTTOM.....117
 PAD,EXTENSION CYLINDER,TOP.....117
 PCB,11179AB, (SWING)***.....151
 PCB,11179CD,(LIFT)***.....151
 PIN ASSEMBLY,TURNTBLE ROTATION.....95-96
 PIN ASSY, RETAINER, SS I & II.....95-96
 PIN, 3.50" X 1.00".....15, 17, 33
 PIN,1.00DIAX11.05LG,2RING.....119
 PIN,1.00DIAX2.88LG,1HOLE.....15, 17, 33, 115
 PIN,1.00DIAX6.67LG,2RING.....117
 PIN,1.00DIAX8.38LG,2RING.....119
 PIN,1.00DIAX9.46LG,2RING.....117
 PIN,1.25DIAX14.45LG,2HOLE.....127-128
 PIN,1.25DIAX3.00LG,1HOLE.....15, 33
 PIN,1.25DIAX3.37LG,1HOLE.....115
 PIN,1.25DIAX5.25LG,1HOLE.....124, 128
 PIN,1.25DIAX7.00LG,1HOLE.....127-128
 PIN,1.25DIAX7.17LG,2RING.....123-124
 PIN,1.25DIAX7.25LG,1HOLE.....15, 33
 PIN,1.25DIAX7.88LG,1HOLE.....123-124, 127-128
 PIN,1.25DIAX8.30LG,2RING.....127-128
 PIN,1.25DIAX9.50LG,1HOLE.....127-128
 PIN,1.50DIAX17.25LG,1HOLE.....15, 17, 24, 33, 40
 PIN,1.50DIAX4.76LG,2HOLE.....15, 17, 33
 PIN,1.50DIAX6.38LG,1HOLE.....115
 PIN,1.50DIAX7.75LG,1HOLE.....115
 PIN,CLEVIS,1 X 2.5 LG.....15, 17, 33
 PIN,CLEVIS,1 X 3 LG.....15, 17, 33
 PIN,COTTER,.219 X 1.75.....19
 PIN,LOCK,SHORT***.....155
 PIN,PRIM.Boom,16.0 X 1.5 INCH.....117, 119
 PIN,ROLL,SST,.25 X 2.25.....15, 17, 33
 PIN,ROTATION STOP.....95-96
 PIN,ROTATOR,8.13 X 1.25 INCH.....123-124
 PINCH GUARD RAIL,8" PLATFORM**.....155
 PINCH GUARD,6"(1.25")SERVICE.....155
 PINION GEAR.....95-96
 Piston.....27, 43
 PISTON (30797).....27, 43
 PLASTIC END STOP.....101
 PLAT ASSY,8 FT,SERV,S40/60/80.....137, 139
 PLAT.ASSY,6FT-S40/S60-95' & S80.....137, 139
 PLAT.ASSY,EURO,6 FT,S40/60/80.....137, 139
 PLAT.ASSY,EURO,8 FT,S40/60.....137, 139
 PLAT.CNTRL.BOX COMPLETE-S40.....137, 139, 141, 145-146
 PLAT.CNTRL.BOX COMPLETE-S45.....137, 139, 143, 145-146
 PLAT.PINCH GUARD,8',1.3.....155
 PLATE, PUMP MOUNT, PAINTED.....69
 PLATE, SWING COVER, S40/S45.....107
 PLATE,CABLE TRACK,PAINTED.....121

PLATE,ENGINE MOUNT,PAINTED.....59
 PLATE,GENERATOR MOUNTING.....159
 PLATE,LATCH,BLUE,PAINTED.....103, 105
 PLATE,PIN RETAINER.....95-96
 PLATE,PUMP MOUNT,FORD,PAINTED.....55-56
 PLATE,UK POWER TO PLATFORM.....141, 143
 PLATFORM SUPPORT WELDMENT***.....123-124, 137, 139
 P L A T F O R M S U P P O R T
 WELDMNT-SERV*.....123-124, 139
 Plug - Orifice 0.140 inch.....87-88
 PLUG AND CAP KIT-SERVICE,37**.....21, 27, 29, 31, 37, 43, 45, 49, 87-88, 110, 131, 133
 PLUG AND CAP KIT-SERVICE,ORFS*.....21, 27, 29, 31, 37, 43, 45, 49, 87-88, 109-110, 131, 133, 161
 PLUG,070109-8.....55-56
 PLUG,16 AMP,3 PIN,(BRITISH)UK.....103
 PLUG,ELECTRICAL,220/50,NOVON.....103
 PLUG,ELECTRICAL,DOMESTIC.....103
 PLUG,FUSED,250V,13AMP,U.K.**.....103
 PLUG,NYLON .50 BLACK DOMED.....99, 145-146, 165
 PLUG,NYLON .875 BLACK DOMED.....101
 PLUG,NYLON 1.12 BLACK DOMED.....101, 141
 PLUG,NYLON 1.187 BLACK DOMED.....155
 PLUG,ORIFICE,0.052 INCH.....27, 37, 43
 PLUG,ORIFICE,0.070.....21, 37
 PLUG,SQUARE HEAD,3/4 MPT.....79, 81, 83, 85
 PLUG,STEEL SOCKET,SAE090109B-6.....63, 71
 PLUG,W/LATCH,4 POLE,ANDERSON.....137
 POT PLATE ASSEMBLY (20424).....149
 POTENTIOMETER (20424).....149
 POTENTIOMETER-JOYSTCK(53073).....151
 POWER UNIT,AUX PUMP 12VDC.....91-92
 PRIMARY BOOM ASSY, S40.....117
 PRIMARY BOOM ASSY, S45.....119
 PRIMARY BOOM EXT ASSY,S-40***.....117
 Proportional Solenoid Valve.....87-88
 PULLEY, WATER PUMP.....73
 PULLEY,CRANKSHAFT (53883).....73
 PULLEY,FORD ENGINE,LRG-423***.....51-52
 PUMP ASSY, M46+1.0 CU IN LIFT*.....55-56, 63, 69
 PUMP ASSY,AUX.POWER UNIT 89617.....91-92
 PUMP, AUX. POWER UNIT.....91-92
 PUMP, FUEL LIFT, F4L1011F.....65-66
 PUMP, FUEL, LRG425, WALBRO.....51-52
 PUMP, LIFT INLET PORT (53883).....71
 PUMP, WATER, WITH GASKET.....51-52
 PUMP,LIFT 1.403 C.I.**.....55-56, 63, 69
 PUMP,VAR.PISTON M46 2.8 CIQVP*.....55-56, 63, 69

R

RADIATOR HOSE, LOWER.....75
 RADIATOR HOSE, UPPER.....75
 RADIATOR MOUNT, LH, PAINTED.....75
 RADIATOR MOUNT, RH PAINTED.....75
 RADIATOR,FORD,LRG.....59
 RADIATOR,PERKINS,GM.....75
 RAILING CATCH CASTING--DRILLED.....155
 RECEP.,SNAP-IN,4 POLE ANDERSN.....137

RECEPTACLE, BRITISH, 110V.....141, 143
 RECTIFIER ASSEMBLY.....159
 REDUCER,520123-10-6.....109-110
 REGULATOR DIAPH,KIT BEAM 50/60.....56
 REGULATOR,LPG BEAM 60***.....56
 RELAY - LRG425 EFI.....55-56
 RELAY,SEALED 30/40 AMP.....65-66
 RELAY,SPDT,12V(AUTO) PLUG IN**.....101
 RELAY,SPDT,12V(AUTO)**.....143, 145-146
 Relief Valve.....21, 37, 87-88
 REPAIR LINK, 4 LINKS PLATED.....121
 REPAIR LINK,3 LINKS (STEEL).....121
 RESISTOR,10 OHM,25 WATT.....99
 REST PAD,S40,BOOM REST.....107
 RETAINER,GAS SPRING***.....103, 105
 RETAINER-N.C.PROPOR.SOLENOID.....88
 RING GEAR,DEUTZ F3 & F4L1011F.....63
 RIVET,ALUM,ALUM,3/16BUTTONHEAD.....155
 RIVET,STEEL,P. .25 X .375.....103, 155
 ROCKER ASSY,HANDLE (20424)***.....149
 ROD END,.375 X 2.25***.....15, 17, 33
 ROD END,.375 X 3.69.....15, 17, 24, 33, 40, 115, 127-128
 ROD END,0.5 X 3.75***.....117, 119, 123-124
 ROLLER ARM,LIMIT SWITCH***.....121
 ROLLER ARM-LIMIT SWITCH.....95-96
 ROLLER,UHMW.....121
 ROTATOR ASSEMBLY,8.2K***.....123-124, 127-128
 ROTATOR,PLAT JIB,160 DEG***.....127-128
 ROTATOR,PLAT,NON-JIB.....123-124
 RUE RING 1.00.....15, 17, 33

S

S40 AIRLINE TO PLATFORM.....157
 S40 NM RT TIRE,LH.....39-40
 S40 NM RT TIRE,RH.....39-40
 S40,60,80SPARE L.P.TANK W/BRKT.....159
 SADDLE BRCKT40613,34419,53073*.....151
 SADDLES-SET(24493,40613,53073).....151
 SCR,M 10X40 LG HEX FLG. SERR.....55-56
 SCREW,BLEEDER,M5X0.8.....123-124, 127-128
 SCREW,FHM,10-32 X .75.....137, 139
 SCREW,FHM,10-32 X 1.5.....52
 SCREW,FHS,3/8-16 X 1.75.....107
 SCREW,HEX,M4X0.7X10MM (20424)*.....149
 SCREW,HEX,M4X0.7X30MM (20424)*.....149
 SCREW,HHC,1-8 X 11,GRD 5***.....123-124
 SCREW,HHC,1-8 X 12IN GRD.2***.....123-124
 SCREW,HHC,1/2-13 X 1.25 GR5.....117, 119, 123-124
 SCREW,HHC,1/2-13 X 1.5.....23-24, 35, 39-40, 55-56
 SCREW,HHC,1/2-13 X 2 GR5...23-24, 39-40, 63, 69, 95-96
 SCREW,HHC,1/2-13 X 3.....59
 SCREW,HHC,1/2-13 X 4.....15, 17, 33
 SCREW,HHC,1/2-13 X 5 BLACK.....23-24, 40, 95-96
 SCREW,HHC,1/4-20 X .5.....55-56, 95-96
 SCREW,HHC,1/4-20 X .625.65-66, 101, 121, 145-146
 SCREW,HHC,1/4-20 X .7.....19, 23-24, 35, 40, 59, 63, 65-66, 71, 75, 77, 95-96, 99, 101, 121, 135, 137, 139, 145-146, 155
 SCREW,HHC,1/4-20 X 1.....55-56, 71, 75, 77, 91-92, 101, 103, 105, 137, 139

Part Description Index (continued)

- SCREW,HHC,1/4-20 X 1.25.....51-52, 55-56, 103, 105, 135, 137, 139, 155
- SCREW,HHC,1/4-20 X 1.5.....121, 155
- SCREW,HHC,1/4-20 X 1.75.....105, 117, 119, 124
- SCREW,HHC,1/4-20 X 2.....27, 43, 55-56, 61, 91-92, 121, 155, 159
- SCREW,HHC,1/4-20 X 2.25.....121, 127-128
- SCREW,HHC,1/4-20 X 3.....77, 121
- SCREW,HHC,1/4-20 X 4.....27, 43
- SCREW,HHC,3/8-16 X .75.....15, 17, 33, 35, 105, 107, 115, 117, 119, 121, 135, 165
- SCREW,HHC,3/8-16 X 1.....15, 17, 24, 33, 40, 55-56, 63, 69, 75, 79, 81, 91-92, 95-96, 107, 117, 119, 123-124, 159
- SCREW,HHC,3/8-16 X 1.25 GRD 5.....55-56, 91-92, 95-96, 103, 105, 115, 137, 139, 159
- SCREW,HHC,3/8-16 X 1.50.....59, 123-124, 127-128
- SCREW,HHC,3/8-16 X 2.....135
- SCREW,HHC,3/8-16 X 2.25.....15, 33
- SCREW,HHC,3/8-16 X 2.5.....81, 85
- SCREW,HHC,3/8-16 X 3.25.....128
- SCREW,HHC,3/8-16 X 6.....121
- SCREW,HHC,3/8-16 X 1.25FULL THR.....119
- SCREW,HHC,5/16-18 X 1 GR5.....65-66, 75, 79, 81, 103, 105, 115
- SCREW,HHC,5/16-18 X 3.25.....92
- SCREW,HHC,5/8-11 X 1.75 GRD.8.....59, 63, 77, 91-92
- SCREW,HHC,5/8-11 X 2.25 GR8.....35
- SCREW,HHC,5/8-11 X 3 GRD.8.....23-24, 39-40, 115
- SCREW,HHC,5/8-11 X 4.0 GR8.....59, 61, 75
- SCREW,HHC,M10 X 25MM,GR 8.8.....59
- SCREW,HHC,M10 X 30MM,ARSE.....63, 65-66, 69
- SCREW,HHC,M12 X 30.....73
- SCREW,HHC,M14 X 30.....75
- SCREW,HHC,M14 X 55.....61
- SCREW,HHC,M6 X 20MM,GR8.8.....65-66
- SCREW,HHC,M8 X 20MM.....51-52, 65-66, 69
- SCREW,HHC,M8 X 30MM,GRD 8.8.....51-52
- SCREW,HHC,M8 X 40.....51-52
- SCREW,HHC,M8 X 50.....73
- SCREW,HHC,M8 X 60MM X 1.25.....51-52
- SCREW,PHIL,PHM,10-24X1.5 ZINC.....23-24, 39-40
- SCREW,PHILLIPS,PHM,10-32 X .5.....145-146
- SCREW,PHILLIPS,PHM,10-32 X .75.....103, 105
- SCREW,PHILLIPS,PHM,10-32 X1.25.....51-52
- SCREW,PHILLIPS,PHM,6-32 X .5.....165
- SCREW,PHM,10-24X.50,SELF TAP.....59
- SCREW,RHM,10-32 X .5.....143
- SCREW,RHM,10-32 X .75.....101
- SCREW,RHM,10-32 X 1.....153
- SCREW,RHM,10-32 X 1.25.....121
- SCREW,RHM,10-32 X 1.5.....95-96, 115
- SCREW,RHM,6-32 X .5.....141, 143
- SCREW,SHC,1/2-13X5.0 GR 5 ZINC.....23-24, 40
- SCREW,SHC,1/4-20 X 2.....91-92
- SCREW,SHC,10-24 X 1.250 (D01).....91-92
- SCREW,SHC,10-24 X 2.....87-88
- SCREW,SHC,3/8-16 X .75,BLACK.....123-124
- SCREW,SHC,3/8-16 X 1.....55-56
- SCREW,SHC,5/16-18 X 2,PLATED.....96
- SCREW,SHC,5/8-11 X 1.75.....96
- SCREW,SHC,5/8-11 X 3.00,A574...23-24, 35, 39-40, 95-96
- SCREW,SHC,5/8-11 X 4,A574.....77, 95-96
- SCREW,SHC,5/8-11X1.75 GR 5 ZIN.....96
- SCREW,SHS,10-24 X .625.....27, 43, 65-66, 71
- SCREW,SHS,5/16-18 X 3.25.....96
- SCREWDRIVER,TERMINAL BLOCK.....101
- SEAL KIT (ALL MANIFOLDS).....27, 43
- SEAL KIT (CYL PN 30585).....15, 17, 33
- SEAL KIT (W1B) TORQUE HUBS.....23-24, 35, 39-40
- SEAL KIT CYL,S40 (63206).....115
- SEAL KIT CYL.S40 SLAVE (81693).....124
- SEAL KIT CYL.S45 MASTER(81694).....115
- SEAL KIT***.....55-56, 63, 69
- SEAL KIT, AUSCO (73918).....96
- SEAL KIT, 37185 PUMP.....91-92
- SEAL KIT, 58958 SWING MOTOR.....95-96
- SEAL KIT, APU.....91-92
- SEAL KIT, AUSCO BRAKE***.....23-24, 40
- SEAL KIT, SOLENOID VALVE.....128
- SEAL KIT,2" BORE,1" ROD***.....15, 17, 33
- SEAL KIT,2.0" BORE CYLINDERS**.....15, 17, 33
- SEAL KIT,2.5" BORE,1.5" ROD***.....15, 33, 115, 124
- SEAL KIT,3" BORE,1.5" RD.....115
- SEAL KIT,8K ROTATOR***.....123-124, 127-128
- SEAL KIT,ARCTIC,ROTATOR 8.2K**.....123-124
- SEAL KIT,BRAKE,MICO.....23-24
- SEAL KIT,BRAKE,TURNABLE ROT.....96
- SEAL KIT,CONTROL VALVE.....27, 43
- SEAL KIT,CYL (63210).....128
- SEAL KIT,CYL,S40 (63202).....117, 119
- SEAL KIT,CYL,S40 MASTER(81692).....115
- SEAL KIT,CYL,S65 (63213).....127-128
- SEAL KIT,HYDRAULIC CYLINDER***.....124
- SEAL KIT,MICO.....96
- SEAL KIT,MOTOR TURNTABLE***.....95-96
- SEAL KIT,OSC.CYL.....15
- SEAL KIT,PLAT ROTATE***.....123-124, 127-128
- SEAL KIT,SAUER-DANFOSS M46***.....55-56, 63, 69
- SEAL KIT,STEER CYL (89065).....15, 17, 33
- SEAL KIT,SUNSTRAND.....23-24, 35, 40
- SEAL KIT,SWIVEL (44367).....95-96
- SEAL KIT,SWIVEL (48542).....95-96
- SEAL KIT,SWIVEL (73895).....95-96
- SEAL KIT,UNIVERSAL,9K ROTATOR*.....123-124, 127-128
- SEAL KIT-3" BORE X 1.5" ROD.....115
- SEAL, SHAFT, 60511 APU.....91-92
- SEAL,SHAFT.....95-96
- SEAL,SHAFT-SUNDSTRAND***.....55-56, 63, 69
- SEAL-GREASE,MODEL 60-8.....19
- SEAL/BEARING KIT (45043,54840).....19
- SENDING UNIT,OIL PRESS.,DEUTZ.....65-66
- SENDING UNIT,OIL PRESSURE***.....51-52, 71
- SENDING UNIT,OIL TEMP.....65-66
- SENDING UNIT,TMP,FRD,GM,PRK704.....51-52, 73
- SENDING UNIT-H20TMP LRG425EFI*.....52
- SENSOR, CRANK POSITION.....51-52
- SENSOR,AIR TEMP,LRG-425 EFI***.....51-52
- SENSOR,CAM,EFI***.....51-52
- SENSOR,COOLANT TEMP*.....52
- SENSOR,LEVEL,4.5 DEG.....91-92
- SENSOR,O2,LRG 425 EFI***.....55-56
- SEPARATOR/FILTER,FUEL DIESEL.....71
- SERIAL # LABEL,MYLAR 4X8***.....11
- SERIAL NUMBER PLATE - S45.....11
- SERVICE KIT, 5FT JIB, ARCTIC.....127-128, 135
- SERVICE KIT,5FT JIB.....127-128, 135
- SHAFT & HOUSING ASSY.....151
- SHAFT (52587)***.....151
- SHAFT ADAPTER, HELAC ROTATOR.....123-124, 127-128
- SHAFT SEAL, APU.....91-92
- SHAFT,M46 15 TOOTH.....55-56, 63, 69
- SHAFT,OUTPUT,PINION,TURNABLE.....95-96
- SHAFT,W/NF STYL BLOCK,(20424)*.....149
- SHIM,AXLE ROTATION STOP.....24, 40
- SHIM,AXLE ROTATION STOP,22 GA.....24, 40
- SHIM,PAD,5 X 3.....119
- SHIM,PRIMARY BOOM,.064 THK.....117
- SHIM,SIDE PAD 16GA. 3 X 5.....119
- SHIM,SIDE PAD 16GA.1.5 X 3.5.....121
- SHIM,WEAR PAD,5 X 1.5,14GA.....117, 119
- SHIM,WEAR PAD,5X 1.5 16GA.....117, 119
- SHOCK MOUNT,SMALL.....59
- SHROUD SUPPORT,PAINTED GRAY.....105
- SHROUD,LP TANK,PAINTED.....105
- SHROUD,RADIATOR LRG 423 BLUE.....59
- Shuttle Valve, 2 position 3 way.....27, 43
- Shuttle Valve, 3 position 3 way.....21
- Shuttle Valve,3 position 3 way.....37
- SLEEVE,NYLON,2" I.D.,BULK(100').....137, 139
- SLIDER BAR.....121
- SLIDING MIDRAIL KIT,PTD.....137, 139
- SNAP PIN.....155
- SNAP RING,EXTERNAL,1.00 DIA.....117, 119
- SNAP RING,EXTERNAL,1.25 DIA.**.....123-124, 127-128
- Solenoid Valve.....87-88
- SOLENOID VALVE, GS-3384.....88
- SOLENOID VALVE,N.C. 2POS. 3WAY.....55-56, 61, 77
- SOLENOID,12V CONTINUOUS***.....101, 163
- SOLENOID,77066.....91-92
- SOLENOID,FUEL SHUT OFF SWITCH*.....65-66
- SOLENOID,THROTTLE,.....65-66, 71
- SOLENOID-STARTR DEUTZF4L1011F*.....61
- SPACER,FAN TO WATERPUMP LRG423.....51-52
- SPACER,LONG ANDERSON.....137
- SPACER,NYLON,718 X .526 X.219...99, 145-146, 159
- SPACER,SHORT ANDERSON.....137
- SPARK PLUG WIRE SET, LRG425EFI.....51-52
- SPARK PLUG,FORD.....51-52
- SPRING (RED) MICO.....23-24, 40
- SPRING CLIP,1/4-20,MAGNI 565.....19, 23-24, 35, 40, 55-56, 121, 135, 163
- SPRING CLIP,10-24,ZINC.....23-24, 39-40
- SPRING CLIP,3/8-16.....91-92, 103, 105
- SPRING KIT,MICO.....96

- SPRING,1X.31 ODX.040WIRE,SS.....23-24, 39-40
 SPRING,24493 CONTROLLER.....151
 SPRING,DRIVE TURNABLE.....96
 SPRING,RETURN***.....149
 SPUR GEAR (20424).....149
 STARTER MOTOR, PERKINS (53883).....69
 STARTER,DEUTZ,F4L1011F/F3L1011.....61
 STARTER,ENGINE,FORD LSG/LRG***.....55-56
 Steer Axle Assembly.....33
 Steer Axle Assembly - Non-oscillating.....17
 STICK BOOM ROTATOR SERVICE KIT.....123-124
 STRAINER ASSEMBLY,1.5" NPT.....79, 81, 83, 85
 STRAINER,FILLER NECK.....79, 81, 83, 85
 STRAP ASSY,TANK, 66 INCH.....79, 81, 83, 85
 STROBE,FIREBOLT12-72VDC,AMB***.....153
 STRUT,GAS W/RETAINING SPRING.....103, 105
 STRUT,RH,FORD RADIATOR,PAINT.....59
 SUB PLATE (SPOOL VALVE).....91-92
 SUPPORT,WRIST,PAINTED-BLUE.....145-146
 SWING DRIVE ASSEMBLY,S40/Z60.....95-96
 SWITCH (20424).....149
 SWITCH PLATE ASSEMBLY(20424).....149
 SWITCH TOGGLE ASSY DPDT 2P MNT.....145-146, 159
 SWITCH TOGGLE ASSY DPDT 2P MOM.....99, 101, 145-146
 SWITCH TOGGLE ASSY DPDT 3P MNT.....145-146
 SWITCH TOGGLE ASSY DPDT 3P MOM.....99, 145-146
 SWITCH TOGGLE ASSY SPDT 2P MNT.....99, 145-146
 SWITCH TOGGLE ASSY SPDT 3P MOM.....99, 145-146, 163
 SWITCH,HANDLE,20424.....149
 SWITCH,LIMIT,W/RLLR ARM,NO/NC.....121
 SWITCH,LIMIT,W/ROLLER ARM.....95-96
 SWITCH,LIMIT,W/ROLLER HEAD***.....115
 SWITCH,OIL PRESSURE.....65-66
- T**
- T-BOX,2.75 X 4.5 X 2.0.....141, 143
 TANK STRAP,BOLT STYLE,62".....79, 83
 TANK, LP, 7 GAL.....159
 TANK,30 GALLON,PAINTED**.....79, 83
 TEE,BRANCH,520429-10.....110, 161
 TEE,BRANCH,520429-6.....29, 45, 131, 133
 TEE,BRANCH,520429-8.....31, 49
 TEE,BULKHEAD,RUN,520958-12.....109-110
 TEE,RUN,520428-10.....29, 45, 109-110
 TEE,RUN,520428-4.....29, 45
 TEE,RUN,520428-8.....31, 45, 49, 109-110, 161
 TERM RELAY,N-INSULATE 14-16 GA.....101
 TERM,RELAY,N-INSULATE 18-20 GA.....101
 TERMINAL BLOCK,WAGO.....101, 141, 143
 TERMINAL STRIP END PLATE.....101
 TERMINAL,ANDERSON,15A 16-20GA.....137
 TERMINAL,PIN.....137
 THERMOSTAT HOUSING, LRG425 EFI.....51-52
 THERMOSTAT, FORD LRG.....52
 THERMOSTAT, PERKINS (53883).....73
 THREADED ROD,(1/4-20),9.75.....59, 66, 77
 THREADED ROD,1/4-20,4.5".....51-52
- THREADED ROD,1/4-28 X 10 IN***.....65-66, 71
 THRUST CAP (20193).....23-24, 39-40
 TIE ROD, WELDMENT.....15, 17, 33
 TIRE & WHEEL ASSY (COMMENTS!).....19
 TIRE & WHEEL ASSY,LH.....39-40
 TIRE & WHEEL ASSY,LH FOAM.....23-24, 39-40
 TIRE & WHEEL ASSY,RH.....39-40
 TIRE & WHEEL ASSY,RH FOAM.....23-24, 39-40
 TIRE & WHEEL ASSY. FOAM.....19
 TIRE & WHEEL ASSY.,FLOTATION.....39-40
 TIRE & WHEEL ASSY.-LH.....39-40
 TIRE & WHEEL ASSY.-RH.....39-40
 TIRE,12-16.5, 12PR,NON-MARKING.....39-40
 TIRE,12-16.5/8PR S40 HAULER.....23-24, 35, 39-40
 TIRE,12.5L-16 SL,12 PLY.....19
 TIRE,12X16.5,8 PLY,SGL.....23-24, 35
 TIRE,31X15.50-15,8PR 23DEG FLO.....39-40
 TIRE,33/16LL500,10PLY LITEFOOT.....39-40
 TIRE,IMPLEMENT,12.5-16SL,14PR.....19
 TIRE/WHEEL ASSY,LH,12-16.5/8PR.....23-24, 39-40
 TIRE/WHEEL ASSY,RH,12-16.5/8PR.....23-24, 39-40
- U**
- U-BOLT, KIT 5/16-18 X 2.5.....63, 69
 U-BOLT,3/8-16X 1.5 X2.5 X1.25.....137, 139
 UPDATE KIT STEERING S40/45.....15, 17, 33
- V**
- VALVE - COUNTERBALANCE**.....127-128
 Valve - Manual, 3 position 4 way.....27
 VALVE ASSY,BLEED***.....123-124, 127-128
 VALVE KIT,D03.....91-92
 VALVE, SOLENOID (73616)-LONG.....128
 VALVE, SOLENOID (73616)-SHORT.....128
 VALVE, SOLENOID, 10V.....92
 Valve, Unloader Pilot Operated.....27, 43
 VALVE,BALL,16 MPT-16 FPT***.....110
 VALVE,CHECK (30797).....27, 43, 88
 VALVE,CHECK***.....88
 VALVE,CHECK, 50 PSI.....92
 VALVE,CHECK,PILOT OPERATED.....87-88
 VALVE,CHK,#10PORT-#10MALEORFS.....109-110
 VALVE,CNTERBAL,CBBB-LHN@3000**.....15, 33
 VALVE,CNTERBALANCE-SUN@3000.....115
 VALVE,CNTRBAL 3500PSI,ATM VEN.....124, 128
 VALVE,COUNTERBAL,CACG-LGN@3500.124, 127-128
 VALVE,COUNTERBAL.CBCG-LJN@3000.124, 127-128
- VALVE,COUNTERBALANCE.....117, 119, 127-128
 VALVE,COUNTERBALANCE***.....124, 127-128
 VALVE,COUNTERBALANCE,1500 PSI.....95-96
 VALVE,COUNTERBALANCE,3500 PSI.....88
 VALVE,DIFFERENTIAL SENSING.....27, 43
 VALVE,DIFFERENTIAL SENSING***.....88
 VALVE,DO3.....87-88
 VALVE,DRAIN,FORD,BLOCK,RAD.....55-56, 59
 VALVE,DUAL CB MANIFOLD.....124, 127-128
 VALVE,FLOW DIVIDER/COMBINER.....21, 37
 VALVE,FLOW REGULATOR 0.6GPM.....88
 VALVE,FLOW REGULATOR 2 GPM.....92
 VALVE,FLOW REGULATOR 2.0 GPM.....88
 VALVE,FLOW REGULATOR 3.5 GPM**.....88
 VALVE,FLOW REGULATOR,1 GPM.....88
 VALVE,FUEL LOCK.....79, 81, 83, 85
 VALVE,LOCK OFF,BEAM #FL-418.....51-52, 56
 VALVE,PCV-FORD LRG***.....51-52
 VALVE,PRI. FLOW REG 4.3.....159
 VALVE,PROPORTIONAL SOLENOID***.....88
 VALVE,RELIEF 250 PSI.....37
 VALVE,RELIEF 2900 PSI***.....88
 VALVE,RELIEF,1500 PSI***.....159
 VALVE,RELIEF,1950 PSI,S40.....88
 VALVE,RELIEF,210 PSI.....21
 VALVE,RELIEF,2200 PSI***.....88
 VALVE,SHUTTLE.....21, 37
 VALVE,SHUTTLE (30797).....27, 43
 VALVE,SHUTTLE***.....27, 43, 95-96
 VALVE,SOLENOID (18660).....159
 VALVE,SOLENOID N/C (SHORT).....128
 VALVE,SOLENOID N/O (LONG).....128
 VALVE,SOLENOID,10V W/DIODE.....61
 VALVE,SOLENOID,10V W/DIODE***.....61
 VALVE,SOLENOID,10V W/DOIDE.....92
 VALVE,SOLENOID,10V,2POS 3WAY**.....55-56, 77
 VALVE,SOLENOID,V2470DRT.....88
 VALVE,UNLOADER,P.O.....27, 43
 VALVE-SOLENOID, 2POS,3WAY,10V.....88
 VENTURI,BEAM (FORD) ***.....51-52
 VLV,MAN,3 POS/4 WAY,OPEN CTR.....43
- W**
- WASHER,3/8 PLATE (3/8X2X3/16TK.....95-96
 WASHER,FENDER,.25 X 1.25 X.062.....103, 105, 119
 WASHER,FENDER,.25X1.50X.074.....137, 139
 WASHER,FLAT, 313, HARDENED.....165
 WASHER,FLAT,5 HARDENED.....23-24, 35, 40, 95-96
 WASHER,FLAT,625 HARDENED.....59, 63, 77, 91-92, 95-96, 115
 WASHER,FLAT,625 X 2.25 X.15.....61, 75, 77
 WASHER,FLAT,640X1.160X.09.....35
 WASHER,FLAT,688X1.160X.09.....23-24, 39-40
 WASHER,FLAT,1.063 X 2 X .134.....123-124
 WASHER,FLAT,1.56 X 3.5 X .061.....15, 17, 23-24, 33, 39-40
 WASHER,FLAT,MS,#10,Y.....23-24, 39-40, 103, 105, 145-146, 153
 WASHER,FLAT,USS,1",Y.....123-124
 WASHER,FLAT,USS,1/2",Y.....59

Part Description Index (continued)

WASHER,FLAT,USS,1/4"Y.....19, 24, 35, 40,
 51-52, 55-56, 59, 61, 65-66, 69, 71, 75, 77,
 91-92, 95-96, 99, 101, 103, 105, 115, 117,
 121, 124, 135, 137, 139, 145-146, 155, 159
 WASHER,FLAT,USS,3/8",Y.....55-56, 59, 63,
 66, 69, 79, 81, 91-92, 105, 107, 117, 119, 121,
 123-124
 WASHER,FLAT,USS,5/16",Y.....63, 65-66, 69,
 75, 79, 81, 83, 85, 91-92, 103, 105, 107, 135,
 137, 139, 159
 WASHER,FLAT,USS,5/8",Y.....59, 155
 WASHER,LOCK,#10 PLTD.....87-88, 91-92,
 95-96, 115, 121
 WASHER,LOCK,.25.....19, 23-24, 35, 40, 55-
 56, 59, 63, 65-66, 77, 91-92, 95-96, 99, 101,
 103, 105, 115, 121, 124, 127-128, 145-146,
 155
 WASHER,LOCK,.313.....63, 69
 WASHER,LOCK,.375.....15, 17, 23-24, 33, 35,
 39-40, 55-56, 63, 75, 79, 81, 91-92, 95-96,
 103, 105, 107, 115, 117, 119, 121, 127-128,
 135
 WASHER,LOCK,.625 PLTD.....59, 63, 77, 91-
 92, 155
 WASHER,LOCK,0.5".....23-24, 39-40, 55-56,
 63, 69, 95-96, 117, 119, 123-124
 WASHER,LOCK,IND,LAMP RETAINER.....99,
 145-146
 WASHER,LOCK,M10.....59, 63, 65-66, 69
 WASHER,LOCK,M12.....73
 WASHER,LOCK,M14.....61, 75
 WASHER,LOCK,M6.....65-66
 WASHER,LOCK,M8.....51-52, 65-66, 73
 WASHER,NYLON,.410 X.257X.045.....27, 43
 WASHER,REDUCING 3/4" TO 1/2".....143
 WASHER,SHIM,1.01 X 1.63 X.062.....117, 119
 WASHER,SHIM,1.27 X 2.13 X .062..123-124,
 127-128
 WASHER,SPINDLE.....19
 WASHER,STAR,#10,PLTD.....59
 WASHER,THRUST,1.5 X 3.5 X .187.....15, 17,
 33
 WASHER,THRUST,TORQUE HUB.....23-24,
 35, 39-40
 WATER PUMP, PERKINS (53883).....73
 WEAR PAD,2.25 X 2.50 X .5.....121
 WEAR PAD,3 X 1.5 X.625 W/NUTS.....135
 WEAR PAD,3 X 2 X .5 W/INSERT.....121
 WEAR PAD,4X2X.5 W/INSERT***.....59, 63, 77
 WEAR PAD,5 X 1.5 X .625 W/NUTS...117, 119
 WEAR PAD,5 X 3 X .625 W/INSER.....119
 WEAR PAD,6.5 X 5 X .75 W/INSER.....117
 WEAR PAD,CABLE TRACK.....121
 WEAR PAD,EXTENSION CYLINDER.....119
 WELDMENT, CYLINDER MOUNTING.....115
 WELDMENT, ENGINE MODULE PLATE.....59,
 61, 75, 77
 WELDMENT,CABLE TRACK GUIDE**.....121
 WELDMENT,DEUTZ ENGINE MOUNT.....61
 WELDMENT,ENGINE MOUNT,INBOARD.....75
 W E L D M E N T , E N G I N E
 MOUNT,OUTBOARD.....75
 WELDMENT,EXHAUST SUPPORT.....63
 WELDMENT,FRT AXLE OSC,ASSY.....15
 WELDMENT,FUNCTION MANIFOLD
 MNT.....91-92
 WELDMENT,HYD TANK MODULE.....91-92
 WELDMENT,RADIATOR MOUNT LRG423...59
 WELDMENT,RH,ENGINE MOUNT.....59
 WELDMENT,ROD END.....15, 17, 33
 WELDMENT,TIE ROD.....15, 17, 33
 WELDMENT,TT COVER SUPPORT,RH.....105
 WELMENT,DEUTZ ENGINE MOUNT.....61
 WHEEL, 16.5 X 9.75 S40.....23-24, 35, 39-40
 WHEEL, 16X10.....19
 WIRE CABLE 18G/19 CONDUCT***101
 WIRE CABLE,12GA/3 CON.TPE JKT*.....101,
 141, 143
 WIRE CABLE,14GA/3 CON.TPE JKT*.....103
 WIRE CABLE,16/2 SJO,BULK.....101
 WIRE CABLE,16GA/4 CON.TPE JKT*.....101,
 115, 121, 137, 139, 141, 143
 WIRE CABLE,18GA/19 CON.BNDREX....101,
 141, 143
 WIRE LOOM,1.25 DIA.....137, 139
 WIRE LOOM,3/8 POLY SLIT.....137, 139
 WIRE,12/3 SJEOW,BULK,BLK-WHT-G.....141,
 143
 WIRING DUCT, 1.5 X 1.5.....101
 WLDMT.CABLE TRACK TUBE S40.....121
 WLDMT.HYD.,SWIVEL MNT.,S40.....95-96

Y

Yoke Assembly - Left Side.....33
 Yoke Assembly - Right Side.....33
 YOKE ASSEMBLY 2WD S40 LEFT.....15, 17
 YOKE ASSEMBLY 2WD S40 RIGHT.....15, 17

Z

ZERK,GREASE,1/8 NPT.....95-96, 103

This Page Intentionally Left Blank

Fitting Cross References

| Genie PN | Parker PN | Description | Genie PN | Parker PN | Description |
|----------|-----------------|---|----------|---------------|---|
| 12342 | 6-4 F5OX-S | CONNECTOR,STRAIGHT THREAD TO FLARE TUBE | 42794 | 1 CR-S | ELBOW,90°,MALE PIPE |
| 13757 | 4 R6X-S | RUN TEE,SWIVEL NUT,ORFS | 42795 | BV-0839 | BALL VALVE |
| 19685 | 12-10 C5OX-S | ELBOW,90°,STRAIGHT THREAD TO FLARE TUBE | 42796 | BV-0838 | BALL VALVE |
| 22664 | 12-10 C5OX | ELBOW,90°,STRAIGHT THREAD TO FLARE TUBE | 42874 | 6-8 CLO-S | ELBOW,90°,MALE PIPE TO ORFS |
| 27431 | 8-12 F5OX-S | CONNECTOR,STRAIGHT THREAD TO FLARE TUBE | 42912 | 13943-6-4 | HOSE END,90° FEMALE SWIVEL,JIC |
| 28678 | AS-B-33 | SLEEVE,NYLON,1.81" ID | 42920 | BV-0840 | BALL VALVE,90° |
| 39871 | 6 WETX-WLN-S | UNION,90° BULKHEAD W/NUT,FLARE TUBE | 42932 | AS-B-17 | SLEEVE,NYLON,1.22" ID |
| 39872 | 4 R5OX-S | RUN TEE,STRAIGHT THREAD | 42936 | 10243-2-4 | HOSE END,FEMALE PIPE |
| 39873 | 6 C5OX-S | ELBOW,90°,STRAIGHT THREAD TO FLARE TUBE | 42953 | 1/2 DD-S | ELBOW,90°,FEMALE PIPE |
| 39874 | 8-6 C5OX-S | ELBOW,90°,STRAIGHT THREAD TO FLARE TUBE | 42956 | 6 WELO-WLNL-S | UNION,90° BULKHEAD W/NUT,ORFS |
| 39875 | 4-6 C5OX-S | ELBOW,90°,STRAIGHT THREAD TO FLARE TUBE | 45349 | 8 V5OX-S | ELBOW,45°,STRAIGHT THREAD TO FLARE TUBE |
| 39876 | 6-8 C5OX-S | ELBOW,90°,STRAIGHT THREAD TO FLARE TUBE | 45351 | 4 V5OX-S | ELBOW,45°,STRAIGHT THREAD TO FLARE TUBE |
| 39877 | 4 F5OX-S | CONNECTOR,STRAIGHT THREAD TO FLARE TUBE | 47223 | 10343-6-6 | HOSE END,MALE,JIC |
| 39878 | 6 F5OX-S | CONNECTOR,STRAIGHT THREAD TO FLARE TUBE | 47419 | PS690503-6-6 | SWIVEL,90°,STRAIGHT THREAD TO 37° FLARE |
| 39879 | 4-8 F5OX-S | CONNECTOR,STRAIGHT THREAD TO FLARE TUBE | 48750 | 421-4 | HOSE,1/4 INCH ID |
| 39880 | 6-10 F5OX-S | CONNECTOR,STRAIGHT THREAD TO FLARE TUBE | 48751 | 481TC-4 | HOSE,1/4 INCH ID |
| 39881 | 4-6 F5OX-S | CONNECTOR,STRAIGHT THREAD TO FLARE TUBE | 48752 | 482TC-4 | HOSE,1/4 INCH ID |
| 39882 | 4-HP5ON-S | PLUG,STRAIGHT THREAD | 48753 | 451TC-6 | HOSE,3/8 INCH ID |
| 39883 | 8-8 FTX-S | CONNECTOR,MALE PIPE TO FLARE TUBE | 48754 | 482TC-6 | HOSE,3/8 INCH ID |
| 39885 | 269HB 12-12 | ELBOW,90°,BEADED HOSE BARB TO MALE PIPE | 48755 | 381-6 | HOSE,3/8 INCH ID |
| 39886 | 431-6 | HOSE,3/8 INCH ID | 48756 | 451TC-8 | HOSE,1/2 INCH ID |
| 39887 | 540N-2 | HOSE,1/8 INCH ID | 48757 | 482TC-8 | HOSE,1/2 INCH ID |
| 39888 | 801-8 | HOSE,1/2 INCH ID | 48758 | 381-8 | HOSE,1/2 INCH ID |
| 39889 | 801-12 | HOSE,3/4 INCH ID | 48759 | 381-10 | HOSE,5/8 INCH ID |
| 39890 | 10643-6-6 | HOSE END,FEMALE SWIVEL,JIC | 48760 | 451TC-10 | HOSE,5/8 INCH ID |
| 39891 | 13943-6-6 | HOSE END,90° FEMALE SWIVEL,JIC | 48761 | 482TC-12 | HOSE,3/4 INCH ID |
| 39892 | 13743-6-6 | HOSE END,45° FEMALE SWIVEL,JIC | 48762 | 451TC-12 | HOSE,3/4 INCH ID |
| 39894 | 30682-8-8 | HOSE END,FEMALE SWIVEL,JIC | 48763 | 772-12 | HOSE,3/4 INCH ID |
| 39895 | 30682-10-12 | HOSE END,FEMALE SWIVEL,JIC | 48764 | 881-16 | HOSE,1 INCH ID |
| 42286 | 8-8 CTX-S | ELBOW,90°,MALE PIPE TO FLARE TUBE | 48765 | 772-16 | HOSE,1 INCH ID |
| 42756 | 8-12 CLO-S | ELBOW,90,MALE PIPE TO ORFS | 48766 | AS-B-15 | SLEEVE,NYLON,1.06" ID |
| 42757 | 8-12 FLO-S | CONNECTOR,MALE PIPE TO ORFS | 48767 | AS-B-22 | SLEEVE,NYLON,1.42" ID |
| 42758 | 4 JLO-S | UNION TEE,ORFS | 48770 | 881-8 | HOSE,1/2 INCH ID |
| 42759 | 4-4 FLO-S | CONNECTOR,MALE PIPE TO ORFS | | | |
| 42760 | 6-8 FLO-S | CONNECTOR,MALE PIPE TO ORFS | | | |
| 42761 | 1J143-6-4 | HOSE END,90° FEMALE SWIVEL,SEAL LOK | | | |
| 42762 | 1J743-6-4 | HOSE END,45° FEMALE SWIVEL,SEAL LOK | | | |
| 42768 | 1JO43-4-4 | HOSE END,MALE,SEAL LOK | | | |
| 42776 | 601-8 | HOSE,1/2 INCH ID | | | |
| 42777 | 1J743-16-16 | HOSE END,45° FEMALE SWIVEL,SEAL LOK | | | |
| 42786 | 16 CLO-S | ELBOW,90°,MALE PIPE TO ORFS | | | |
| 42787 | 16 R6LO-S | RUN TEE,SWIVEL NUT,ORFS | | | |
| 42788 | 16-8 TRLO-BL-S | REDUCER,TUBE END TO SWIVEL,ORFS | | | |
| 42789 | 6-6 CLO-S | ELBOW,90°,MALE PIPE TO ORFS | | | |
| 42790 | 8-10 V5OLO-S | ELBOW,45°,STRAIGHT THREAD TO ORFS | | | |
| 42791 | 3/4 CD-S | ELBOW,90°,MALE TO FEMALE PIPE | | | |
| 42792 | 3/4 X 1/2 PTR-S | REDUCER,MALE TO FEMALE PIPE | | | |
| 42793 | 1/2 CR-S | ELBOW,90°,MALE PIPE | | | |

Fitting Cross References (Continued)

| Genie PN | Parker PN | Description | Genie PN | Parker PN | Description |
|----------|-------------|-------------------------------------|----------|-----------------|--|
| 48771 | 881-10 | HOSE,5/8 INCH ID | 48847 | 13943-12-12 | HOSE END,90° FEMALE SWIVEL,JIC |
| 48772 | 381-4 | HOSE,1/4 INCH ID | 48848 | 10543-12-12 | HOSE END,MALE,STRAIGHT THREAD |
| 48773 | AS-B-13 | SLEEVE,NYLON,.86" ID | 48849 | 1JC71-12-12 | HOSE END,FEMALE SWIVEL,SEAL LOK |
| 48800 | 1JC43-4-4 | HOSE END,FEMALE SWIVEL,SEAL LOK | 48850 | 1JS71-12-12 | HOSE END,FEMALE SWIVEL,SEAL LOK |
| 48801 | 1J743-4-4 | HOSE END,45° FEMALE SWIVEL,SEAL LOK | 48851 | 1J171-12-12 | HOSE END,90° FEMALE SWIVEL,SEAL LOK |
| 48802 | 1J943-4-4 | HOSE END,90° FEMALE SWIVEL,SEAL LOK | 48852 | 1J771-12-12 | HOSE END,45° FEMALE SWIVEL,SEAL LOK |
| 48804 | 1JM43-4-4 | HOSE END,MALE,SEAL LOK, NO O-RING | 48853 | 1J971-12-12 | HOSE END,90° FEMALE SWIVEL,SEAL LOK |
| 48805 | 10643-4-4 | HOSE END,FEMALE SWIVEL,JIC | 48854 | 1JC43-16-16 | HOSE END,FEMALE SWIVEL,SEAL LOK |
| 48806 | 13943-4-4 | HOSE END,90° FEMALE SWIVEL,JIC | 48855 | 1J943-16-16 | HOSE END,90° FEMALE SWIVEL,SEAL LOK |
| 48807 | 1JS43-4-4 | HOSE END,FEMALE SWIVEL,SEAL LOK | 48856 | 1J171-16-16 | HOSE END,90° FEMALE SWIVEL,SEAL LOK |
| 48808 | 3JC82-8-8 | HOSE END,FEMALE SWIVEL,SEAL LOK | 48857 | 1J971-16-16 | HOSE END,90° FEMALE SWIVEL,SEAL LOK |
| 48809 | 3JC82-12-12 | HOSE END,FEMALE SWIVEL,SEAL LOK | 48859 | 1JS43-8-4 | HOSE END,FEMALE SWIVEL,SEAL LOK |
| 48810 | 1JC43-6-4 | HOSE END,FEMALE SWIVEL,SEAL LOK | 48867 | PD36BTL | DIAGNOSTIC NIPPLE,SEAL-LOK SWIVEL |
| 48811 | 1J943-6-4 | HOSE END,90° FEMALE SWIVEL,SEAL LOK | 48873 | 6 PNLO-S | PLUG,TUBE END,ORFS |
| 48812 | 1JC43-6-6 | HOSE END,FEMALE SWIVEL,SEAL LOK | 48874 | 6 PNTX-S | PLUG,FLARE TUBE |
| 48813 | 1J143-6-6 | HOSE END,90° FEMALE SWIVEL,SEAL LOK | 48875 | 6 R6LO-S | RUN TEE,SWIVEL NUT,ORFS |
| 48814 | 1J543-6-6 | HOSE END,90° FEMALE SWIVEL,SEAL LOK | 48877 | 4 F5OLO-SW/.025 | CONNECTOR,STRAIGHT THREAD TO ORFS, W/.025 ORI |
| 48815 | 1J743-6-6 | HOSE END,45° FEMALE SWIVEL,SEAL LOK | 48878 | 16-12 C5OLO-S | ELBOW,90°,STRAIGHT THREAD TO ORFS |
| 48816 | 1J943-6-6 | HOSE END,90° FEMALE SWIVEL,SEAL LOK | 48879 | 8 C6LO-S | ELBOW,90°,SWIVEL NUT ORFS |
| 48817 | 1JS43-6-8 | HOSE END,FEMALE SWIVEL,SEAL LOK | 48880 | PD6-285 | CAP,DIAGNOSTIC NIPPLE |
| 48818 | 1J943-8-4 | HOSE END,90° FEMALE SWIVEL,SEAL LOK | 48881 | 6 HLO-S | UNION,ORFS |
| 48819 | 1JC43-8-6 | HOSE END,FEMALE SWIVEL,SEAL LOK | 48883 | 8 P5ON-S | PLUG,STRAIGHT THREAD |
| 48820 | 1J743-8-6 | HOSE END,45° FEMALE SWIVEL,SEAL LOK | 48884 | 8M18F87OMLO-S | CONNECTOR,METRIC,STRAIGHT THREAD TO ORFS |
| 48821 | 1J943-8-6 | HOSE END,90° FEMALE SWIVEL,SEAL LOK | 48885 | 4 WGTX-WLN-S | CONNECTOR,BULKHEAD,FEMALE PIPE TO FLARE TUBE |
| 48822 | 1JC43-8-8 | HOSE END,FEMALE SWIVEL,SEAL LOK | 48886 | 4 F5OLO-SW/2MM | CONNECTOR,MACHINED STRAIGHT THREAD TO ORFS |
| 48823 | 1JS43-8-8 | HOSE END,FEMALE SWIVEL,SEAL LOK | 48887 | 4 CTX-S | ELBOW,90°,MALE PIPE TO FLARE TUBE |
| 48824 | 1J143-8-8 | HOSE END,90° FEMALE SWIVEL,SEAL LOK | 48888 | 10-12 V5OLO-S | ELBOW,45°,STRAIGHT THREAD TO ORFS |
| 48825 | 1J543-8-8 | HOSE END,90° FEMALE SWIVEL,SEAL LOK | 48890 | 4 S5OLO-S | BRANCH TEE,STRAIGHT THREAD TO ORFS |
| 48826 | 1J743-8-8 | HOSE END,45° FEMALE SWIVEL,SEAL LOK | 48891 | 4 S6LO-S | BRANCH TEE,SWIVEL NUT TO ORFS |
| 48827 | 1J943-8-8 | HOSE END,90° FEMALE SWIVEL,SEAL LOK | | | |
| 48828 | 1JC43-10-8 | HOSE END,FEMALE SWIVEL,SEAL LOK | | | |
| 48829 | 1JS43-10-8 | HOSE END,FEMALE SWIVEL,SEAL LOK | | | |
| 48830 | 1J743-10-8 | HOSE END,45° FEMALE SWIVEL,SEAL LOK | | | |
| 48831 | 1J943-10-8 | HOSE END,90° FEMALE SWIVEL,SEAL LOK | | | |
| 48833 | 1JC43-10-10 | HOSE END,FEMALE SWIVEL,SEAL LOK | | | |
| 48834 | 1J943-10-10 | HOSE END,90° FEMALE SWIVEL,SEAL LOK | | | |
| 48835 | 1JS43-10-12 | HOSE END,FEMALE SWIVEL,SEAL LOK | | | |
| 48836 | 1JC43-12-8 | HOSE END,FEMALE SWIVEL,SEAL LOK | | | |
| 48837 | 1JS43-12-8 | HOSE END,FEMALE SWIVEL,SEAL LOK | | | |
| 48838 | 1J743-12-8 | HOSE END,45° FEMALE SWIVEL,SEAL LOK | | | |
| 48839 | 1J943-12-8 | HOSE END,90° FEMALE SWIVEL,SEAL LOK | | | |
| 48840 | 1J943-12-10 | HOSE END,90° FEMALE SWIVEL,SEAL LOK | | | |
| 48841 | 1JC43-12-12 | HOSE END,FEMALE SWIVEL,SEAL LOK | | | |
| 48842 | 1JO43-12-12 | HOSE END,MALE,SEAL LOK | | | |
| 48843 | 1J143-12-12 | HOSE END,90° FEMALE SWIVEL,SEAL LOK | | | |
| 48844 | 1J543-12-12 | HOSE END,90° FEMALE SWIVEL,SEAL LOK | | | |
| 48845 | 1J743-12-12 | HOSE END,45° FEMALE SWIVEL,SEAL LOK | | | |
| 48846 | 1J943-12-12 | HOSE END,90° FEMALE SWIVEL,SEAL LOK | | | |

Fitting Cross References (Continued)

| Genie PN | Parker PN | Description | Genie PN | Parker PN | Description |
|----------|-------------------|--|----------|----------------|--|
| 48892 | 6 C6LO-S | ELBOW,90°,SWIVEL NUT ORFS | 48938 | 8 R6LO-S | RUN TEE,SWIVEL NUT,ORFS |
| 48893 | 6 F5OHAO-S | UNION,STRAIGHT THREAD | 48939 | 8 S6LO-S | BRANCH TEE,SWIVEL NUT TO ORFS |
| 48894 | 8 WLO-WLNL-S | UNION,BULKHEAD,ORFS | 48940 | 8 WJLO-WLNL-S | RUN TEE, BULKHEAD,ORFS |
| 48895 | DT-370-MSMO-5 | VALVE,CHECK | 48941 | 8-4 TRLO-S | REDUCER,TUBE END TO SWIVEL,ORFS |
| 48896 | 6 JLO-S | UNION,TEE,ORFS | 48942 | 8-6 C5OLO-S | ELBOW,90°,STRAIGHT THREAD TO ORFS |
| 48897 | DT-750-MSMS-5 | VALVE,CHECK | 48943 | 8-6 F5OLO-S | CONNECTOR,STRAIGHT THREAD TO ORFS |
| 48898 | DT-750-MOMS-5 | VALVE,CHECK | 48944 | 8-8 FLO-S | CONNECTOR,MALE PIPE TO ORFS |
| 48899 | DT-620-MOMS-5 | VALVE,CHECK | 48945 | 8 FTX-S | CONNECTOR,MALE PIPE TO FLARE TUBE |
| 48900 | 4-6 F5OLO-SW/.035 | CONNECTOR,STRAIGHT THREAD TO ORFS, W/.035 ORI | 48946 | 8-10 F5OLO-S | CONNECTOR,STRAIGHT THREAD TO ORFS |
| 48902 | 16-1 AOE4G-S | ELBOW,90° LONG,FEMALE PIPE TO STRAIGHT THREAD | 48947 | 8-12 C5OLO-S | ELBOW,90°,STRAIGHT THREAD TO ORFS |
| 48903 | 1 FF-S | NIPPLE,PIPE | 48948 | 8-12 F5OLO-S | CONNECTOR,STRAIGHT THREAD TO ORFS |
| 48904 | 4 C5OLO-S | ELBOW,90°,STRAIGHT THREAD TO ORFS | 48949 | 8-16 F5OLO-S | CONNECTOR,STRAIGHT THREAD TO ORFS |
| 48905 | 4 F5OLO-S | CONNECTOR,STRAIGHT THREAD TO ORFS | 48950 | 10 C5OLO-S | ELBOW,90°,STRAIGHT THREAD TO ORFS |
| 48906 | 4 R5OLO-S | RUN TEE,STRAIGHT THREAD | 48951 | 10 CC5OLO-S | ELBOW,90° LONG,STRAIGHT THREAD TO ORFS |
| 48907 | 4 V5OLO-S | ELBOW,45°,STRAIGHT THREAD TO ORFS | 48952 | 10 F5OLO-S | CONNECTOR,STRAIGHT THREAD TO ORFS |
| 48908 | 4 R6LO-S | RUN TEE,SWIVEL NUT,ORFS | 48953 | 10 R5OLO-S | RUN TEE,STRAIGHT THREAD |
| 48909 | 4 WJLO-WLNL-S | RUN TEE, BULKHEAD,ORFS | 48954 | 10 S5OLO-S | BRANCH TEE,STRAIGHT THREAD TO ORFS |
| 48910 | 4 GTX-S W/.030 | CONNECTOR,FEMALE PIPE TO FLARE TUBE | 48955 | 10 R6LO-S | RUN TEE,SWIVEL NUT,ORFS |
| 48911 | 4-6 C5OLO-S | ELBOW,90°,STRAIGHT THREAD TO ORFS | 48956 | 10-4 TRLO-BL-S | REDUCER,TUBE END TO SWIVEL,ORFS |
| 48912 | 4-6 F5OLO-S | CONNECTOR,STRAIGHT THREAD TO ORFS | 48957 | 10-6 TRLO-BL-S | REDUCER,TUBE END TO SWIVEL,ORFS |
| 48913 | 4-6 F5OLO-SW/.030 | CONNECTOR,STRAIGHT THREAD TO ORFS, W/.030 ORI | 48958 | 10-12 F5OLO-S | CONNECTOR,STRAIGHT THREAD TO ORFS |
| 48914 | 4-8 F5OLO-S | CONNECTOR,STRAIGHT THREAD TO ORFS | 48959 | 12 C5OLO-S | ELBOW,90°,STRAIGHT THREAD TO ORFS |
| 48915 | 6 C5OLO-S | ELBOW,90°,STRAIGHT THREAD TO ORFS | 48960 | 12 F5OLO-S | CONNECTOR,STRAIGHT THREAD TO ORFS |
| 48916 | 6 F5OLO-S | CONNECTOR,STRAIGHT THREAD TO ORFS | 48961 | 12 R5OLO-S | RUN TEE,STRAIGHT THREAD |
| 48917 | 6 FF5OLO-S | CONNECTOR,LONG,STRAIGHT THREAD TO ORFS | 48962 | 12 S5OLO-S | BRANCH TEE,STRAIGHT THREAD TO ORFS |
| 48918 | 6 R5OLO-S | RUN TEE,STRAIGHT THREAD | 48963 | 12 V5OLO-S | ELBOW,45°,STRAIGHT THREAD TO ORFS |
| 48919 | 6 S5OLO-S | BRANCH TEE,STRAIGHT THREAD TO ORFS | 48964 | 12 R6LO-S | RUN TEE,SWIVEL NUT,ORFS |
| 48920 | 6 V5OLO-S | ELBOW,45°,STRAIGHT THREAD TO ORFS | 48965 | 12 CLO-S | ELBOW,90°,MALE PIPE TO ORFS |
| 48921 | 6 FLO-S | CONNECTOR,MALE PIPE TO ORFS | 48966 | 12 FLO-S | CONNECTOR,MALE PIPE TO ORFS |
| 48922 | 6-6 FLO-S | CONNECTOR,MALE PIPE TO ORFS | 48967 | 12 JLO-S | UNION TEE,ORFS |
| 48923 | 6 P5ON-S | PLUG,STRAIGHT THREAD | 48968 | 12 WLO-WLNL-S | UNION,BULKHEAD,ORFS |
| 48925 | 6 WELO-S | UNION,90° BULKHEAD,ORFS | 48969 | 12 WJLO-WLNL-S | RUN TEE, BULKHEAD,ORFS |
| 48926 | 6-4 C5OLO-S | ELBOW,90°,STRAIGHT THREAD TO ORFS | 48970 | 12 WELO-WLNL-S | UNION,90° BULKHEAD W/NUT,ORFS |
| 48927 | 6-4 F5OLO-S | CONNECTOR,STRAIGHT THREAD TO ORFS | | | |
| 48928 | 6-4 V5OLO-S | ELBOW,45°,STRAIGHT THREAD TO ORFS | | | |
| 48929 | 6-8 C5OLO-S | ELBOW,90°,STRAIGHT THREAD TO ORFS | | | |
| 48930 | 6-8 F5OLO-S | CONNECTOR,STRAIGHT THREAD TO ORFS | | | |
| 48931 | 6-10 F5OLO-S | CONNECTOR,STRAIGHT THREAD TO ORFS | | | |
| 48932 | 8 C5OLO-S | ELBOW,90°,STRAIGHT THREAD TO ORFS | | | |
| 48933 | 8 F5OLO-S | CONNECTOR,STRAIGHT THREAD TO ORFS | | | |
| 48934 | 8 FF5OLO-S | CONNECTOR,LONG,STRAIGHT THREAD TO ORFS | | | |
| 48935 | 8 R5OLO-S | RUN TEE,STRAIGHT THREAD | | | |
| 48936 | 8 S5OLO-S | BRANCH TEE,STRAIGHT THREAD TO ORFS | | | |
| 48937 | 8 V5OLO-S | ELBOW,45°,STRAIGHT THREAD TO ORFS | | | |

Fitting Cross References (Continued)

| Genie PN | Parker PN | Description | Genie PN | Parker PN | Description |
|----------|---------------|--|----------|----------------|--|
| 48971 | 12 G5G5JG5-S | TEE,FEMALE STRAIGHT THREAD | 49612 | PKT02586 | O-RING KIT (ORFS FITTINGS) |
| 48972 | 12 XHL6-S | ADAPTER, 37° MALE TO SWIVEL ORFS | 49613 | PKT06276 | PLUG AND CAP KIT-SERVICE,ORFS |
| 48973 | 12-1/2 F5OG-S | ADAPTER,FEMALE PIPE TO STRAIGHT THREAD | 49728 | 10143-12-12 | HOSE END, MALE PIPE |
| 48974 | 12-10 C5OLO-S | ELBOW,90°,STRAIGHT THREAD TO ORFS | 49729 | 16-1 F5OG-S | ADAPTER,FEMALE PIPE TO STRAIGHT THREAD |
| 48975 | 12-10 F5OLO-S | CONNECTOR,STRAIGHT THREAD TO ORFS | 49814 | 12-8 FLO-S | CONNECTOR,MALE PIPE TO ORFS |
| 48976 | 12-16 C5OLO-S | ELBOW,90°,STRAIGHT THREAD TO ORFS | 49829 | DT-500-MOMF-5 | VALVE,CHECK |
| 48977 | 12-16 F5OLO-S | CONNECTOR,STRAIGHT THREAD TO ORFS | 49831 | 881-12 | HOSE,3/4 INCH ID |
| 48978 | 12-16 V5OLO-S | ELBOW,45°,STRAIGHT THREAD TO ORFS | 49834 | 16 JLO-S | UNION TEE,ORFS |
| 48980 | 12-16 FLO-S | CONNECTOR,MALE PIPE TO ORFS | 49838 | 12-8 TRLO-BL-S | REDUCER,TUBE END TO SWIVEL,ORFS |
| 48983 | 16 C5OLO-S | ELBOW,90°,STRAIGHT THREAD TO ORFS | 49840 | 8 JLO-S | UNION TEE,ORFS |
| 48984 | 16 F5OLO-S | CONNECTOR,STRAIGHT THREAD TO ORFS | 49844 | 10-8 TRLO-BL-S | REDUCER,TUBE END TO SWIVEL,ORFS |
| 48985 | 16 V5OLO-S | ELBOW,45°,STRAIGHT THREAD TO ORFS | 49854 | 8 P5ON-S | PLUG,STRAIGHT THREAD |
| 48986 | 16 FLO-S | CONNECTOR,MALE PIPE TO ORFS | 49855 | 1JC43-16-12 | HOSE END,FEMALE SWIVEL,SEAL LOK |
| 48988 | 16 CD45-S | ELBOW,45°,MALE TO FEMALE PIPE | 49859 | 4 P5ON-S | PLUG,STRAIGHT THREAD |
| 48989 | 12 CD45-S | ELBOW,45°,MALE TO FEMALE PIPE | 49861 | 4 FF5OLO-S | CONNECTOR,LONG,STRAIGHT THREAD TO ORFS |
| 48990 | 8 CD45-S | ELBOW,45°,MALE TO FEMALE PIPE | 49867 | 12-3/4 F5OG-S | ADAPTER,FEMALE PIPE TO STRAIGHT THREAD |
| 48991 | 16-12 FLO-S | CONNECTOR,MALE PIPE TO ORFS | 51152 | 6 R6X-S | RUN TEE,SWIVEL NUT,ORFS |
| 48992 | 16-12 V5OLO-S | ELBOW,45°,STRAIGHT THREAD TO ORFS | 51153 | 6-4 TRTX-S | REDUCER,TUBE END TO SWIVEL,ORFS |
| 48993 | XV501-12 | BALL VALVE | 51154 | 4-4 GTX | CONNECTOR,FEMALE PIPE TO FLARE TUBE |
| 48994 | XV501-16 | BALL VALVE | 51264 | 881-12 | HOSE,3/4 INCH ID |
| 48995 | XV510P-12 | BALL VALVE | 51265 | 8 JLO-S | UNION TEE,ORFS |
| 48996 | XV510P-16 | BALL VALVE | 51508 | 6 BTX-S | NUT,FLARE TUBE |
| 48997 | PD341 | DIAGNOSTIC NIPPLE, STRAIGHT THREAD | 51580 | 12-8 TRLO-BL-S | TUBE END REDUCER,ORFS |
| 48998 | PD 361 | DIAGNOSTIC NIPPLE, STRAIGHT THREAD | 51628 | 6 R6X-S | RUN TEE,SWIVEL NUT,ORFS |
| 48999 | DT-500-MOMS-5 | VALVE,CHECK | 51735 | 3/8 HHP | PLUG,PIPE THREAD |
| 49201 | 10 V5OLO-S | ELBOW,45°,STRAIGHT THREAD TO ORFS | 51803 | 1J943-6-8 | HOSE END,90° FEMALE SWIVEL,SEAL LOK |
| 49202 | 1JC43-12-10 | HOSE END,FEMALE SWIVEL,SEAL LOK | 53023 | 125HBL-5-4 | FITTING,HOSE BARB TO MALE PIPE |
| 49203 | 10-8 V5OLO-S | ELBOW,45°,STRAIGHT THREAD TO ORFS | 53497 | PKT02585 | O-RING KIT |
| 49205 | 6 F5OHAO-S | UNION,STRAIGHT THREAD | 53499 | 1JC71-16-16 | HOSE END,FEMALE SWIVEL,SEAL LOK |
| 49207 | PD34BTL | DIAGNOSTIC NIPPLE,SEAL-LOK SWIVEL | 53500 | 3-904 | O-RING,STRAIGHT THREAD,-4 |
| 49209 | 8M18F870MX-S | CONNECTOR,METRIC,STRAIGHT THREAD TO FLARE TUBE | 53501 | 3-906 | O-RING,STRAIGHT THREAD,-6 |
| 49212 | 8 WGTX-WLN-S | CONNECTOR,BULKHEAD,FEMALE PIPE TO FLARE TUBE | 53502 | 3-908 | O-RING,STRAIGHT THREAD,-8 |
| 49213 | 30682-8-8 | HOSE END,FEMALE SWIVEL,JIC | 53503 | 3-910 | O-RING,STRAIGHT THREAD,-10 |
| 49216 | 831-8 | HOSE,1/2 INCH ID | | | |
| 49217 | 33982-8-8 | HOSE END,90° FEMALE SWIVEL,JIC | | | |
| 49219 | PS-B-35 | SLEEVE,NYLON,2.19" ID | | | |
| 49418 | 4-6 V5OLO-S | ELBOW,45°,STRAIGHT THREAD TO ORFS | | | |
| 49511 | DT370-MOMS-5 | VALVE,CHECK | | | |
| 49512 | 1 DD-S | ELBOW,90°,FEMALE PIPE | | | |
| 49513 | 1 FF-S | NIPPLE,PIPE | | | |
| 49514 | 10 HP5ON-S | PLUG,STRAIGHT THREAD | | | |
| 49515 | 12-16 CLO-S | ELBOW,90°,MALE PIPE TO ORFS | | | |
| 49517 | 6 HP5ON-S | PLUG,STRAIGHT THREAD | | | |
| 49519 | 16-12 F5OLO-S | CONNECTOR,STRAIGHT THREAD TO ORFS | | | |
| 49520 | 4 VTX-S | ELBOW,45°,MALE PIPE TO FLARE TUBE | | | |
| 49530 | 16 C6LO-S | ELBOW,90°,SWIVEL NUT ORFS | | | |

Fitting Cross References (Continued)

| Genie PN | Parker PN | Description | Genie PN | Parker PN | Description |
|----------|---------------|--|----------|-----------------|--|
| 53535 | 3-912 | O-RING, STRAIGHT THREAD, -12 | 61083 | 24 F5OLO-S | CONNECTOR, STRAIGHT THREAD TO ORFS |
| 53536 | 4-PNLO-S | PLUG, TUBE END, ORFS | 61086 | 20 R5OLO-S | RUN TEE, STRAIGHT THREAD |
| 53537 | 6 PNLO-S | PLUG, TUBE END, ORFS | 61090 | 24-20 F5OLO-S | CONNECTOR, STRAIGHT THREAD TO ORFS |
| 53538 | 8 PNLO-S | PLUG, TUBE END, ORFS | 61091 | 1J943 24-24 | HOSE END, 90° FEMALE SWIVEL, SEAL LOK |
| 53539 | 10 PNLO-S | PLUG, TUBE END, ORFS | 61093 | 1J978-12-12 | HOSE END, 90° FEMALE SWIVEL, JIC |
| 53540 | 12 PNLO-S | PLUG, TUBE END, ORFS | 61095 | 1JS43-20-16 | HOSE END, FEMALE SWIVEL, SEAL LOK |
| 53946 | 129HB-5-4 | FITTING, 90° HOSE BARB TO MALE PIPE | 61100 | 811-24 | HOSE, 1 1/2 INCH ID |
| 53951 | 8-1/4F50G-S | ADAPTER, FEMALE PIPE TO STRAIGHT THREAD | 61130 | 1JS43-24-24 | HOSE END, FEMALE SWIVEL, SEAL LOK |
| 53980 | 6 S6LO-S | BRANCH TEE, SWIVEL NUT TO ORFS | 61131 | 1JS78 12-12 | HOSE END, FEMALE SWIVEL, SEAL LOK |
| 54132 | 4 C6LO-S | ELBOW, 90°, SWIVEL NUT ORFS | 61132 | 1J778-12-12 | HOSE END, 45° FEMALE SWIVEL, JIC |
| 54135 | 11343-16-16 | HOSE END, MALE SWIVEL, PIPE | 61152 | 139HB-6-4 | ELBOW, 45°, BARB TO MALE PIPE |
| 54283 | 8-10 C5OLO-S | ELBOW, 90°, STRAIGHT THREAD TO ORFS | 61251 | BV-0750 | BALL VALVE |
| 54428 | 8M18C870MLO-S | ELBOW, 90° METRIC, STRAIGHT THREAD TO ORFS | 61259 | 4 CC5OLO-S | ELBOW, 90° LONG, STRAIGHT THREAD TO ORFS |
| 54803 | FS-F-16-10 | SLEEVE, FIRE, .96" ID | 61260 | 20-12 TRLO-BL | REDUCER, TUBE END TO SWIVEL, ORFS |
| 54954 | 10143-2-4 | HOSE END, MALE PIPE | 61262 | 12 C6LO-S | ELBOW, 90°, SWIVEL NUT ORFS |
| 55190 | 3/8 HP-S | PLUG, PIPE THREAD | 61263 | 20 F5OHAO-S | UNION, STRAIGHT THREAD |
| 55448 | 8 HLO-S | UNION, ORFS | 61264 | 6-10 C5OLO-S | ELBOW, 90°, STRAIGHT THREAD TO ORFS |
| 55839 | 6 F65OX-S | CONNECTOR, STRAIGHT THREAD TO 37° SWIVEL | 61265 | 6 WNLO-WLNL-S | UNION, BULKHEAD 45°, ORFS |
| 55968 | 10 C5OX-S | ELBOW, 90°, STRAIGHT THREAD TO FLARE TUBE | 61268 | 4 WNLO-WLNL-S | UNION, BULKHEAD 45°, ORFS |
| 56003 | 6 CC5OLO-S | ELBOW, 90° LONG, STRAIGHT THREAD TO ORFS | 61269 | 4 WLO-WLNL-S | UNION, BULKHEAD, ORFS |
| 56166 | BV-0837 | BALL VALVE, 90° | 61272 | 12 AOEL6 | ELBOW, 90°, STRAIGHT THREAD TO ORFS SWIVEL |
| 56188 | 10143-8-6 | HOSE END, MALE PIPE | 61316 | 482TC-16 | HOSE, 1 INCH ID |
| 56233 | 2-011 | O-RING, ORFS, -4 | 61321 | 6 JLO-S | UNION TEE, ORFS |
| 56234 | 2-012 | O-RING, ORFS, -6 | 61327 | 782-12 | HOSE, 3/4 INCH ID |
| 56235 | 2-014 | O-RING, ORFS, -8 | 61328 | 881-24 | HOSE, 1 1/2 INCH ID |
| 56236 | 2-016 | O-RING, ORFS, -10 | 61336 | 11943-20-24 | HOSE END, 90° FLANGE HEAD |
| 56237 | 2-018 | O-RING, ORFS, -12 | 61345 | 12 WJLO-WLNL-S | RUN TEE, BULKHEAD, ORFS |
| 56238 | 2-021 | O-RING, ORFS, -16 | 61346 | 8 WNLO-WLNL-S 4 | UNION, BULKHEAD 45°, ORFS |
| 56352 | 6 WLNL-S | LOCKNUT, BULKHEAD | 61569 | 33782-8-8 | HOSE END, 45° FEMALE SWIVEL, JIC |
| 56353 | 3J782-12-12 | HOSE END, 45° FEMALE SWIVEL, SEAL LOK | 61610 | 12 FF5OLO-S | CONNECTOR, LONG, STRAIGHT THREAD TO ORFS |
| 56354 | 3J982-12-12 | HOSE END, 90° FEMALE SWIVEL, SEAL LOK | 61742 | 1/8 X 1.5 FFF | NIPPLE, PIPE |
| 56604 | 10-8 F5OLO-S | CONNECTOR, STRAIGHT THREAD TO ORFS | 63426 | 8 PNTX-S | PLUG, FLARE TUBE |
| 56639 | 3JC82-10-10 | HOSE END, FEMALE SWIVEL, SEAL LOK | | | |
| 56640 | 3J982-10-10 | HOSE END, 90° FEMALE SWIVEL, SEAL LOK | | | |
| 56655 | 3JC82-8-10 | HOSE END, FEMALE SWIVEL, SEAL LOK | | | |
| 56676 | 10-8 C5OLO-S | ELBOW, 90°, STRAIGHT THREAD TO ORFS | | | |
| 56776 | 471TC-6 | HOSE, 3/8 INCH ID | | | |
| 56777 | 471TC-8 | HOSE, 1/2 INCH ID | | | |
| 56789 | 811-16 | HOSE, 1 INCH ID | | | |
| 57884 | 3/8 FF | NIPPLE, PIPE | | | |
| 59335 | 6 FNL-S | CAP, TUBE END | | | |
| 59342 | 4 FNL-S | CAP, TUBE END | | | |
| 59371 | 8 HP5ON-S | PLUG, STRAIGHT THREAD | | | |
| 60653 | BV-0751 | BALL VALVE | | | |
| 60806 | 125HB-3-4 | FITTING, HOSE BARB TO MALE PIPE | | | |
| 61064 | 5-1/4 F50G-S | ADAPTER, FEMALE PIPE TO STRAIGHT THREAD | | | |
| 61079 | 4 WELO-WLNL-S | UNION, 90° BULKHEAD W/NUT, ORFS | | | |
| 61080 | 6 WLO-WLNL-S | UNION, BULKHEAD, ORFS | | | |

Fitting Cross References (Continued)

| Genie PN | Parker PN | Description | Genie PN | Parker PN | Description |
|----------|----------------|--|----------|----------------|--|
| 64271 | 4 WLO-WLNL-S | UNION,BULKHEAD,ORFS | 75631 | 801-6 | HOSE,3/8 INCH ID |
| 64272 | 6 WLO-WLNL-S | UNION,BULKHEAD,ORFS | 75654 | 20 F5OLO-S | CONNECTOR,STRAIGHT THREAD TO ORFS |
| 65776 | 8 F65OL-S | CONNECTOR,STRAIGHT THREAD TO ORFS SWIVEL | 75655 | 1J943-20-20 | HOSE END,90° FEMALE SWIVEL,SEAL LOK |
| 65880 | 6001012 | O-RING KIT | 75656 | 881-20 | HOSE,1-1/4 INCH ID |
| 66154 | 6 WTX-WLNS | UNION,BULKHEAD,FLARE TUBE | 75971 | 8 F5OHAO-S | UNION,STRAIGHT THREAD |
| 66155 | 6 WETX-S | UNION,BULKHEAD 90°,FLARE TUBE | 77307 | 1JB43-8-8 | HOSE END,BULKHEAD,SEAL LOK |
| 66156 | 6 WLN-S | BULKHEAD LOCKNUT | 77309 | 8 WLNL-S | BULKHEAD LOCKNUT |
| 66389 | 6-8 F5OX-S | CONNECTOR,STRAIGHT THREAD TO FLARE TUBE | 77379 | 8M18C87OMX-S | ELBOW,90° METRIC,STRAIGHT THREAD TO FLARE TUBE |
| 66392 | 6 R5OX-S | RUN TEE,STRAIGHT THREAD | 77703 | 3J982-8-8 | HOSE END,90° FEMALE SWIVEL,SEAL LOK |
| 66396 | 811-12 | HOSE,3/4 INCH ID | 77711 | 801-10 | HOSE,5/8 INCH ID |
| 66829 | H3174PP | CLAMP,TUBE | 77758 | 12 WNLO-WLNL-S | UNION,BULKHEAD 45°,ORFS |
| 67217 | 4 KLO-S | UNION,CROSS,ORFS | 78091 | 6 C6X-S | ELBOW,90°,SWIVEL NUT TO FLARE TUBE |
| 67339 | 10-6 F5OX-S | CONNECTOR,STRAIGHT THREAD TO FLARE TUBE | 78684 | 30582-8-8B | HOSE END,PUSH LOK,MALE |
| 67357 | 13943-8-6 | HOSE END,90° FEMALE SWIVEL,JIC | 78852 | 549-2 | HOSE,1/8 INCH ID |
| 67358 | 10 HP5ON-S | PLUG,STRAIGHT THREAD | 78855 | 10657-4-2 | HOSE END,FEMALE SWIVEL,JIC |
| 67371 | 12 S6LO-S | BRANCH TEE,SWIVEL NUT TO ORFS | 79138 | PS-B-37 | SLEEVE,NYLON,2.38" ID |
| 67498 | 4 FNL-S | CAP, TUBE END | 79476 | 1JS43-6-8 | HOSE END,FEMALE SWIVEL,SEAL LOK |
| 67906 | DC-370-F0F0-5 | VALVE,CHECK | 79847 | 12-3/4 A0EG-S | ELBOW,90°,STRAIGHT THREAD TO FEMALE PIPE |
| 69316 | 8 FLO-S | CONNECTOR,MALE PIPE TO ORFS | 80044 | 8 CLO-S | ELBOW,90°,MALE PIPE TO ORFS |
| 69333 | H3174PP | CLAMP,HYDRAULIC HOSE | 80502 | 8 F5OX-S | CONNECTOR,STRAIGHT THREAD TO FLARE TUBE |
| 69503 | 4 F65OX-S | CONNECTOR,STRAIGHT THREAD TO 37° SWIVEL | 80503 | 8 C5OX-S | ELBOW,90°,STRAIGHT THREAD TO FLARE TUBE |
| 69775 | 8 FNL-S | CAP, TUBE END | 81010 | AS-B-27 | SLEEVE,NYLON,1.63" ID |
| 71038 | 1/4X1/4F3HG-S | ADAPTER,CONVERSION | 83052 | 821-6 | HOSE,3/8 INCH ID |
| 71196 | 12-8 F5OLO-S | CONNECTOR,STRAIGHT THREAD TO ORFS | 83053 | 821-8 | HOSE,1/2 INCH ID |
| 71383 | 1/4 CD45-S | ELBOW,45°,MALE TO FEMALE PIPE | 83054 | 821-12 | HOSE,3/4 INCH ID |
| 72270 | 12FNL-S | CAP, TUBE END | 83055 | 30682-6-6 | HOSE END,FEMALE SWIVEL,JIC |
| 73436 | 60C-4 | SLEEVE,COMPRESSION | 83056 | 30682-12-12 | HOSE END,FEMALE SWIVEL,JIC |
| 73437 | 61C-4 | NUT,COMPRESSION | 83057 | 33782-6-6 | HOSE END,45° FEMALE SWIVEL,JIC |
| 73438 | 33482-4-4B | HOSE END,PUSH LOK,MALE | 83058 | 33982-6-6 | HOSE END,90° FEMALE SWIVEL,JIC |
| 73767 | 1CD-S | ELBOW,90°,MALE TO FEMALE PIPE | 83060 | 33982-12-12 | HOSE END,90° FEMALE SWIVEL,JIC |
| 73768 | 20-16-F5OG5-S | ADAPTER,FEMALE PIPE TO STRAIGHT THREAD | 83063 | 13743-4-4 | HOSE END,45° FEMALE SWIVEL,JIC |
| 73769 | 16-20 F5OLO-S | CONNECTOR,STRAIGHT THREAD TO ORFS | | | |
| 74660 | 6-8 F42EDMLO-S | CONNECTOR,MALE BSPP TO ORFS | | | |
| 74661 | 8-8 F42EDMLO-S | CONNECTOR,MALE BSPP TO ORFS | | | |
| 75007 | 4 FLO-S | CONNECTOR,MALE PIPE TO ORFS | | | |
| 75008 | 1/8 HP-S | PLUG,PIPE THREAD | | | |
| 75014 | 1/2 HP-S | PLUG,PIPE THREAD | | | |
| 75042 | 8 WELO-WLNL-S | UNION,90° BULKHEAD W/NUT,ORFS | | | |
| 75043 | 3/4 FF-S | NIPPLE,PIPE | | | |
| 75254 | 24 F5OHAO-S | UNION,STRAIGHT THREAD | | | |
| 75255 | 12 F5OHAO-S | UNION,STRAIGHT THREAD | | | |
| 75256 | XV506P-24 | BALL VALVE | | | |
| 75574 | 4 WLNL-S | BULKHEAD LOCKNUT | | | |
| 75612 | 8 WJLO-WLNL-S | RUN TEE, BULKHEAD,ORFS | | | |
| 75613 | 12-8 F5OG5-S | ADAPTER,FEMALE PIPE TO STRAIGHT THREAD | | | |
| 75614 | 8 CC5OLO-S | ELBOW,90° LONG,STRAIGHT THREAD TO ORFS | | | |
| 75628 | 1JB43-4-4 | HOSE END,BULKHEAD,SEAL LOK | | | |

Fitting Cross References (Continued)

| Genie PN | Parker PN | Description | Genie PN | Parker PN | Description |
|----------|---------------|-------------------------------------|----------|---------------|---|
| 83064 | 13743-8-8 | HOSE END,45° FEMALE SWIVEL,JIC | 89449 | 6 WJLO-WLNL-S | RUN TEE, BULKHEAD,ORFS |
| 83065 | 13743-12-12 | HOSE END,45° FEMALE SWIVEL,JIC | 89489 | 4 WJMLO-S | BRANCH TEE,BULKHEAD,ORFS |
| 83066 | 13943-8-8 | HOSE END,90° FEMALE SWIVEL,JIC | 89551 | 1JB43-6-6 | HOSE END,BULKHEAD,SEAL LOK |
| 83067 | 14143-6-6 | HOSE END,90° FEMALE SWIVEL,JIC | 89552 | 1JB43-8-8 | HOSE END,BULKHEAD,SEAL LOK |
| 83068 | 14143-8-8 | HOSE END,90° FEMALE SWIVEL,JIC | 89593 | 20 C5OLO-S | ELBOW,90°,STRAIGHT THREAD TO ORFS |
| 83069 | 14143-12-12 | HOSE END,90° FEMALE SWIVEL,JIC | 94161 | 8-8 CLO-S | ELBOW,90°,MALE PIPE TO ORFS |
| 83070 | 772-8 | HOSE,1/2 INCH ID | 94358 | 351TC-12 | HOSE,3/4 INCH ID |
| 83071 | 10671-8-8 | HOSE END,FEMALE SWIVEL,JIC | 94418 | 20 FLO-S | CONNECTOR,MALE PIPE TO ORFS |
| 83072 | 10671-12-12 | HOSE END,FEMALE SWIVEL,JIC | 96358 | 12 TX-S | SLEEVE,FLARE TUBE |
| 83073 | 13771-8-8 | HOSE END,45° FEMALE SWIVEL,JIC | 96359 | 12 BTX-S | NUT,FLARE TUBE |
| 83074 | 13771-12-12 | HOSE END,45° FEMALE SWIVEL,JIC | 96397 | 8 F5OX-S | CONNECTOR,STRAIGHT THREAD TO FLARE TUBE |
| 83075 | 13971-8-8 | HOSE END,90° FEMALE SWIVEL,JIC | 96398 | 12-8 F5OX-S | CONNECTOR,STRAIGHT THREAD TO FLARE TUBE |
| 83076 | 13971-12-12 | HOSE END,90° FEMALE SWIVEL,JIC | 96402 | 10343-6-6 | HOSE END,MALE,JIC |
| 83077 | 14171-8-8 | HOSE END,90° FEMALE SWIVEL,JIC | 96407 | 30382-6-6B | HOSE END,MALE,JIC |
| 83078 | 14171-12-12 | HOSE END,90° FEMALE SWIVEL,JIC | | | |
| 83080 | 13943-16-16 | HOSE END,90° FEMALE SWIVEL,JIC | | | |
| 83103 | 10671-16-12 | HOSE END,FEMALE SWIVEL,JIC | | | |
| 83104 | 10671-10-12 | HOSE END,FEMALE SWIVEL,JIC | | | |
| 83112 | 1JC71-8-8 | HOSE END,FEMALE SWIVEL,SEAL LOK | | | |
| 83113 | 1JS71-16-12 | HOSE END,FEMALE SWIVEL,SEAL LOK | | | |
| 83114 | 1JS71-10-12 | HOSE END,FEMALE SWIVEL,SEAL LOK | | | |
| 83115 | 1J971-8-8 | HOSE END,90° FEMALE SWIVEL,SEAL LOK | | | |
| 83116 | 1J171-8-8 | HOSE END,90° FEMALE SWIVEL,SEAL LOK | | | |
| 83117 | 1J771-8-8 | HOSE END,45° FEMALE SWIVEL,SEAL LOK | | | |
| 83127 | 1J543-6-8 | HOSE END,90° FEMALE SWIVEL,JIC | | | |
| 83128 | 1JC43-6-8 | HOSE END,FEMALE SWIVEL,SEAL LOK | | | |
| 87033 | 12-6 TRLO-S | REDUCER,TUBE END TO SWIVEL,ORFS | | | |
| 87034 | 3J782-8-8 | HOSE END,45° FEMALE SWIVEL,SEAL LOK | | | |
| 87172 | 12 HP5ON-S | PLUG,STRAIGHT THREAD | | | |
| 87185 | 8 WNLO-WLNL-S | UNION,BULKHEAD 45°,ORFS | | | |
| 87246 | 4 C6X-S | ELBOW,90°,SWIVEL NUT TO FLARE TUBE | | | |
| 87679 | 6 LHP-S | FLANGE SEAL FITTING, MALE | | | |
| 87681 | 6PLS N0702 | BONDED SEAL | | | |
| 88100 | SR88100 | ADAPTER,OIL DRAIN,GM 3.0L | | | |
| 88311 | 1JS43-20-20 | HOSE END,FEMALE SWIVEL,SEAL LOK | | | |
| 88353 | 20 V5OLO-S | ELBOW,45°,STRAIGHT THREAD TO ORFS | | | |
| 88474 | 10081-20 | Crimp Shell, 1.25" | | | |
| 88475 | 1988-20-24 | HOSE END,90° FLANGE HEAD | | | |
| 88476 | JS88-24-24 | HOSE END,FEMALE SWIVEL,SEAL LOK | | | |
| 88477 | 1JC88-20-20 | HOSE END,FEMALE SWIVEL,SEAL LOK | | | |
| 88478 | 811-20 | HOSE,11/4 INCH ID | | | |
| 88936 | 20-16 F5OLO-S | CONNECTOR,STRAIGHT THREAD TO ORFS | | | |
| 88937 | 20-16 FLO-S | CONNECTOR,MALE PIPE TO ORFS | | | |
| 88938 | 1JC88-16-16 | HOSE END,FEMALE SWIVEL,SEAL LOK | | | |
| 88939 | 1J988-16-16 | HOSE END,90° FEMALE SWIVEL,ORFS | | | |
| 88940 | 811-16 | HOSE,1 INCH ID | | | |
| 88944 | 1J988-20-20 | HOSE END,90° FEMALE SWIVEL,ORFS | | | |
| 89403 | 16 VLO-S | ELBOW,45°,MALE PIPE TO ORFS | | | |

California Proposition 65

Warning

The exhaust from this product contains chemicals known to the State of California to cause cancer, birth defects or other reproductive harm.

Genie North America

Phone 425.881.1800
Toll Free USA and Canada
800.536.1800
Fax 425.883.3475

Genie Australia Pty Ltd.

Phone +61 7 3375 1660
Fax +61 7 3375 1002

Genie China

Phone +86 21 53852570
Fax +86 21 53852569

Genie Malaysia

Phone +65 98 480 775
Fax +65 67 533 544

Genie Japan

Phone +81 3 3453 6082
Fax +81 3 3453 6083

Genie Korea

Phone +82 25 587 267
Fax +82 25 583 910

Genie Brasil

Phone +55 11 41 665 755
Fax +55 11 41 665 754

Genie Holland

Phone +31 183 581 102
Fax +31 183 581 566

Genie Scandinavia

Phone +46 31 575100
Fax +46 31 579020

Genie France

Phone +33 (0)2 37 26 09 99
Fax +33 (0)2 37 26 09 98

Genie Iberica

Phone +34 93 579 5042
Fax +34 93 579 5059

Genie Germany

Phone +49 (0)4202 88520
Fax +49 (0)4202 8852-20

Genie U.K.

Phone +44 (0)1476 584333
Fax +44 (0)1476 584334

Genie Mexico City

Phone +52 55 5666 5242
Fax +52 55 5666 3241

Distributed By:

Parts Manual

S-40,S-45

from SN 831 to 7000

Part No.
52090

Rev E11

Genie
A TEREX BRAND